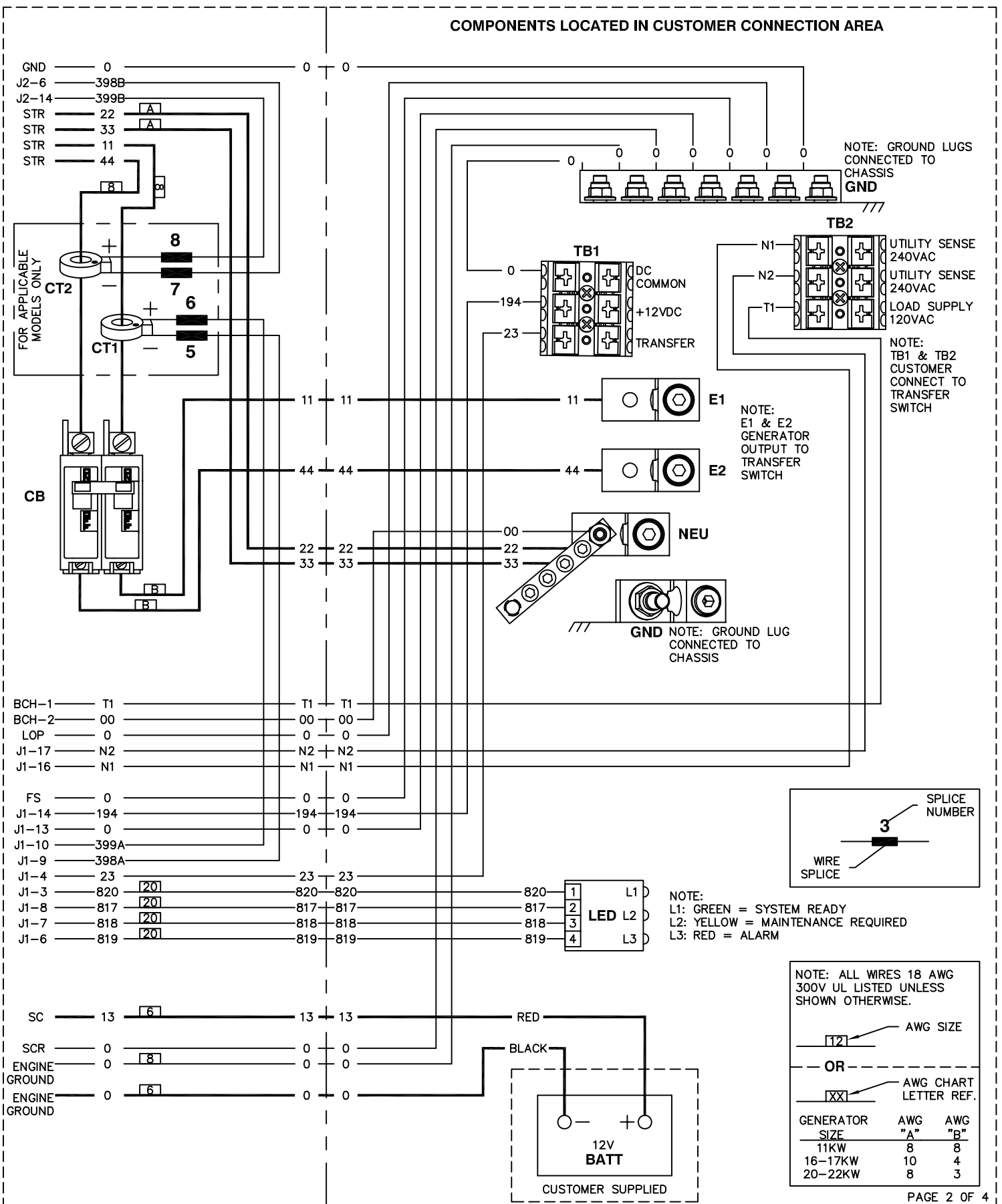
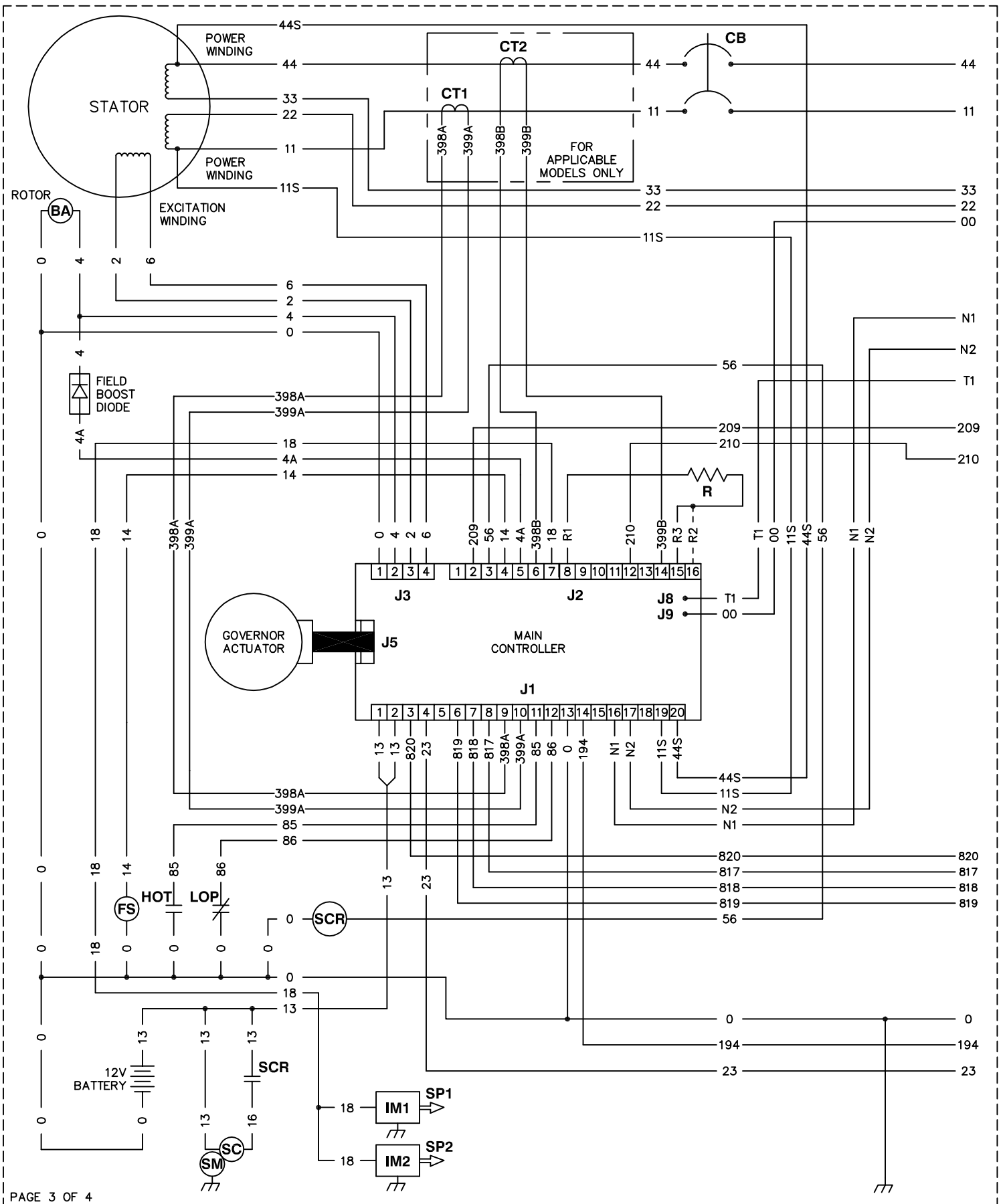
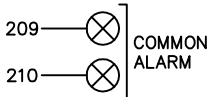
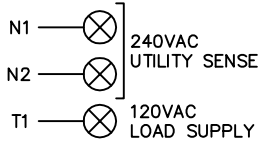
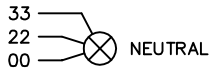
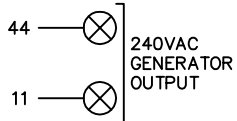


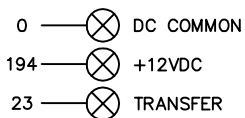
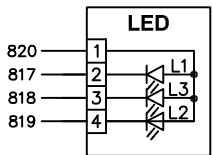
COMPONENTS LOCATED IN CUSTOMER CONNECTION AREA







L1: GREEN = SYSTEM READY
 L2: YELLOW = MAINTENANCE REQUIRED
 L3: RED = ALARM



LEGEND	
BA	- BRUSH ASSEMBLY
CB	- CIRCUIT BREAKER
CT_	- CURRENT TRANSFORMER
FS	- FUEL SOLENOID
HOT	- HIGH OIL TEMPERATURE SWITCH
IM_	- IGNITION MODULE
J_	- MAIN CONTROLLER CONNECTIONS
LED	- LED BOARD
LOP	- LOW OIL PRESSURE SWITCH
R	- RESISTOR
SC	- STARTER CONTACTOR
SCR	- STARTER CONTROL RELAY
SM	- STARTER MOTOR
SP_	- SPARK PLUG