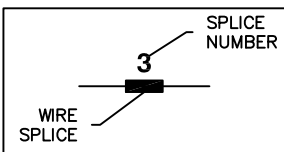
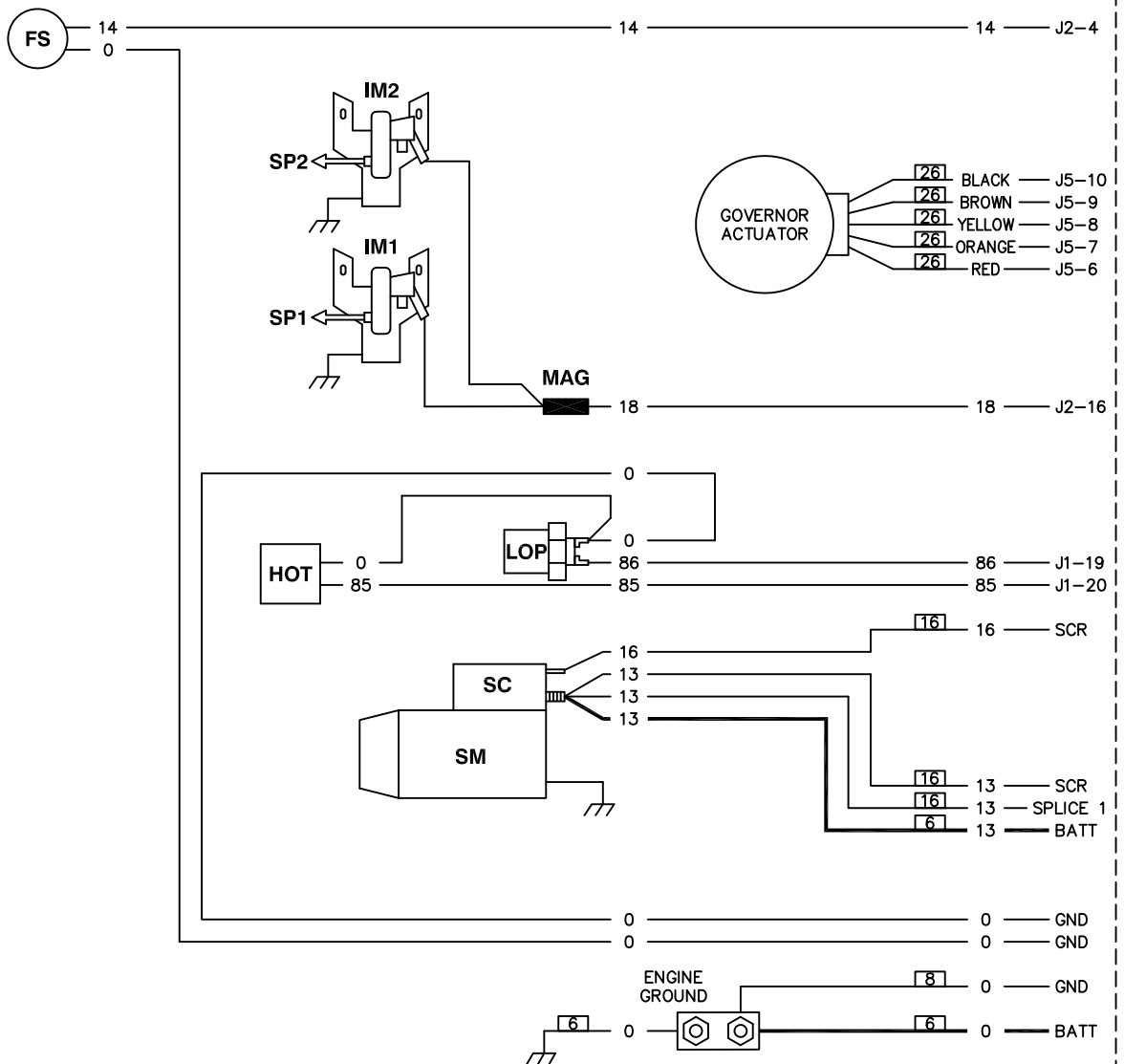
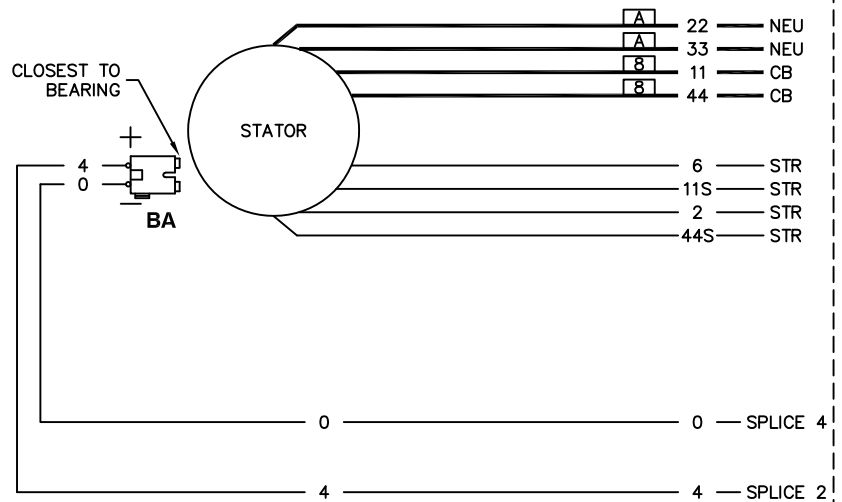


COMPONENTS LOCATED ON ENGINE

LEGEND:

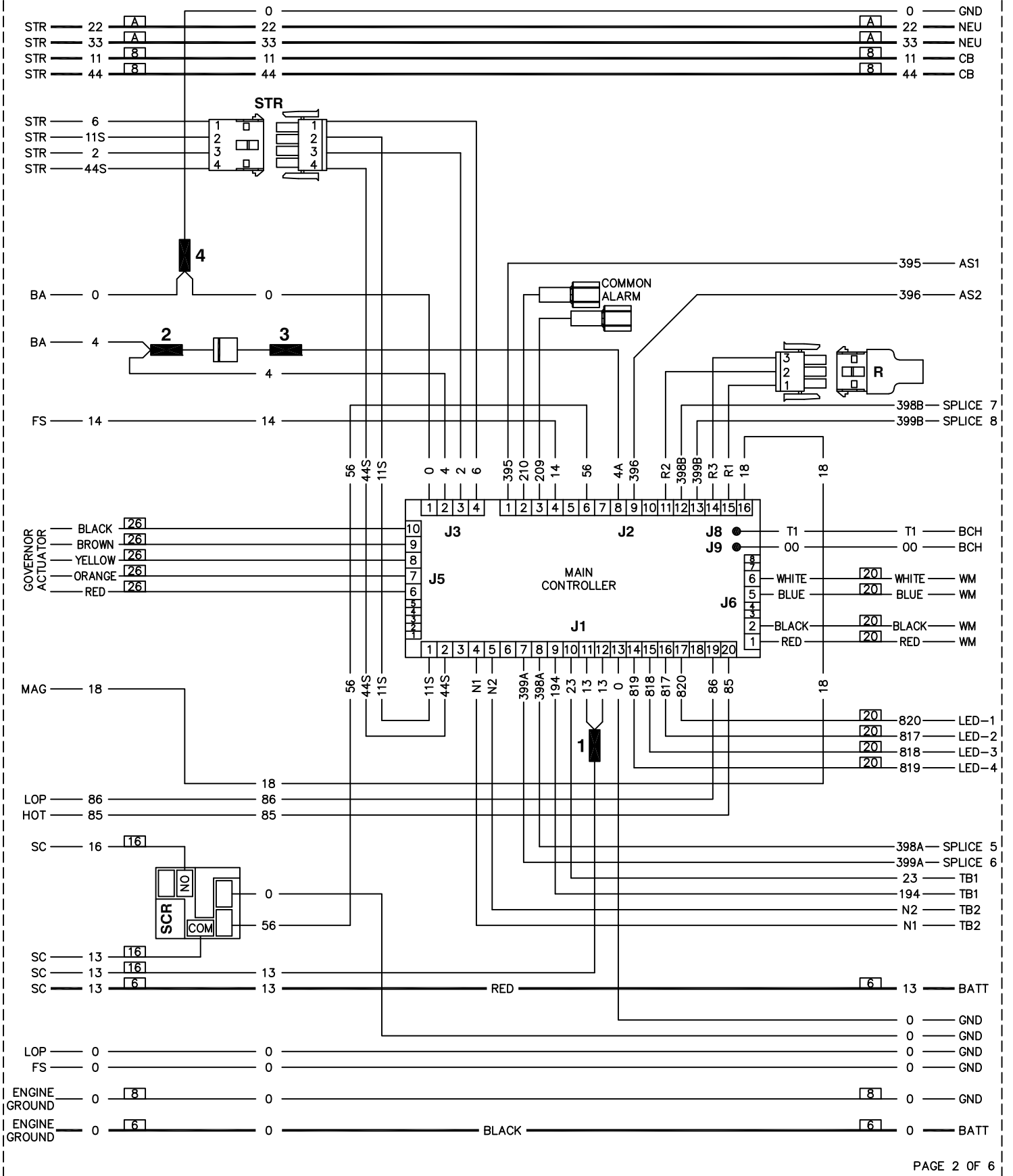
AS_	- AUXILIARY SHUTDOWN SWITCH
BA	- BRUSH ASSEMBLY
BATT	- BATTERY
BCH	- BATTERY CHARGER
CB	- CIRCUIT BREAKER, MAIN OUTPUT
CT_	- CURRENT TRANSFORMER
FS	- FUEL SOLENOID
GND	- GROUND
HOT	- HIGH OIL TEMP SWITCH
IM_	- IGNITION MODULE
J_	- MAIN CONTROLLER CONNECTIONS
LED	- LED BOARD
LOP	- LOW OIL PRESSURE SWITCH
MAG	- MAGNETO
NEU	- NEUTRAL
R	- RESISTOR
SC	- STARTER CONTACTOR
SCR	- STARTER CONTROL RELAY
SM	- STARTER MOTOR
SP_	- SPARK PLUG
STR	- STATOR
TB_	- TERMINAL BLOCK
WM	- WIRELESS MODULE



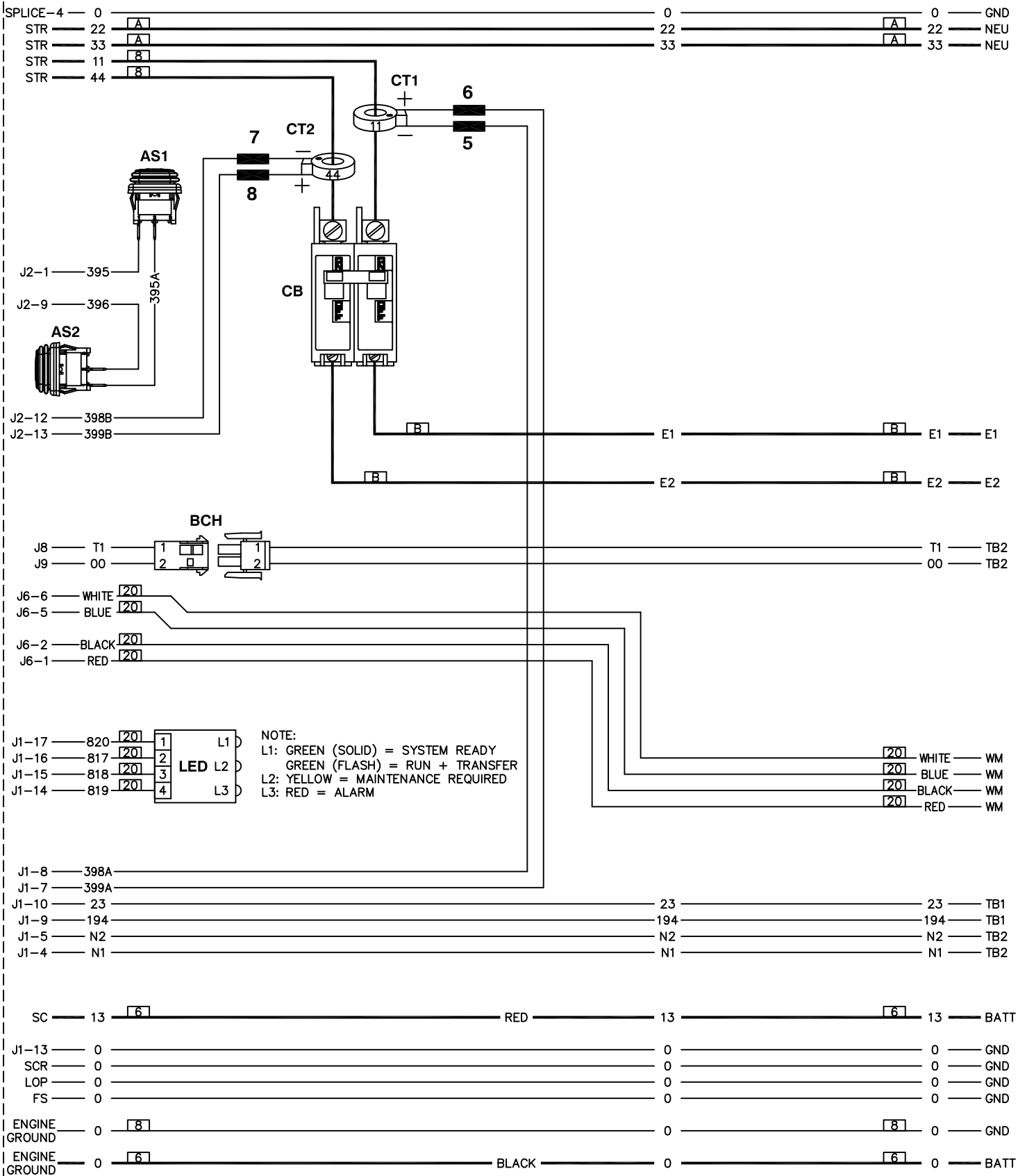
NOTE: ALL WIRES 18 AWG 300V UL LISTED UNLESS SHOWN OTHERWISE.

AWG SIZE		
[12]		
OR		
AWG CHART LETTER REF.		
[XX]		
GENERATOR SIZE	AWG "A"	AWG "B"
16-17KW	10	4
20-22KW	8	3

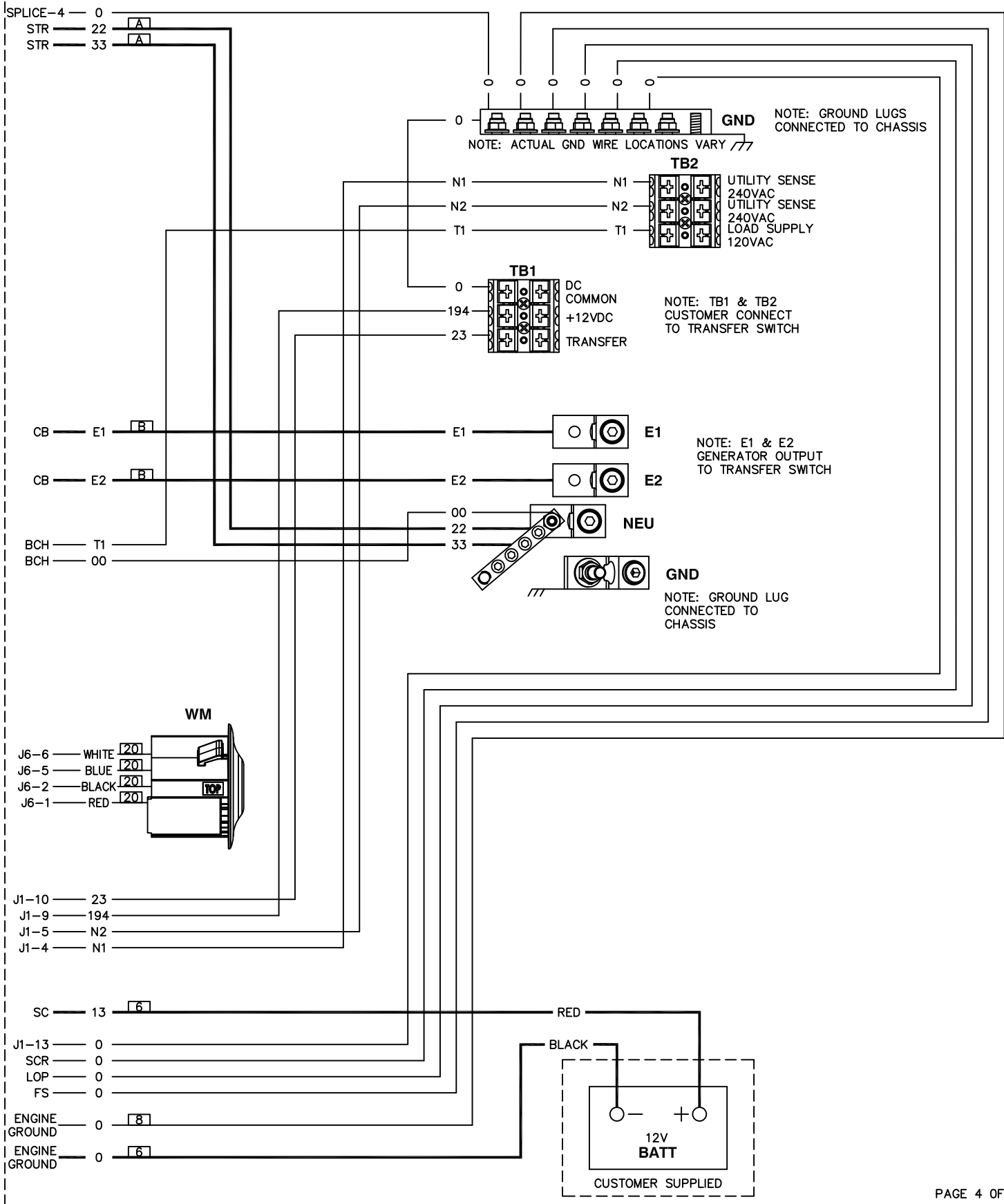
COMPONENTS LOCATED IN CONTROL PANEL

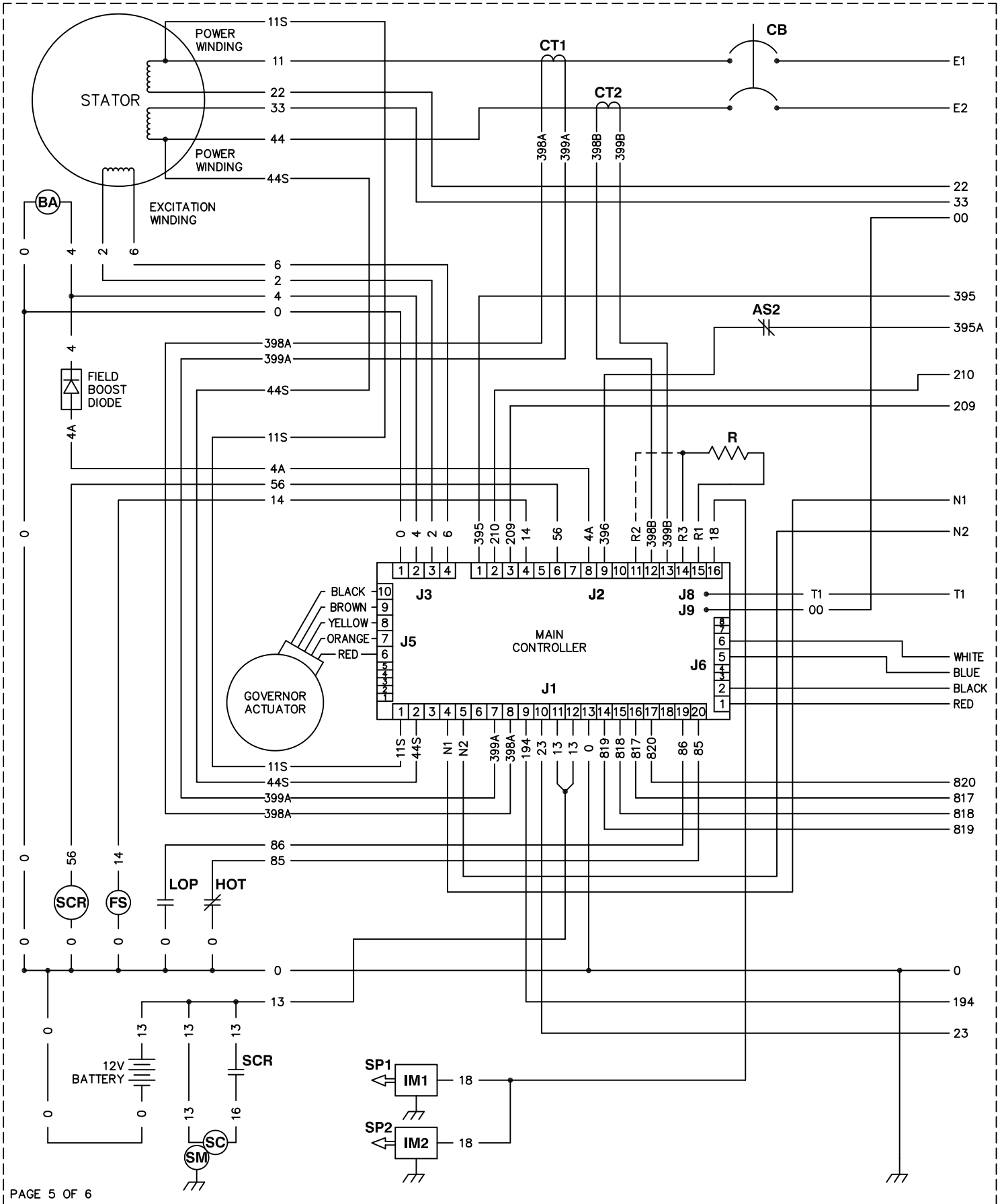


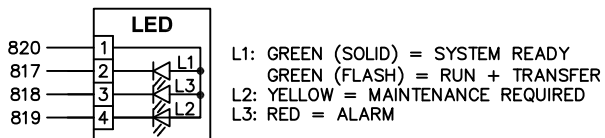
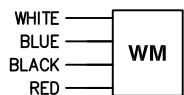
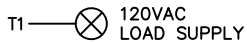
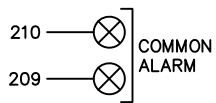
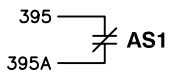
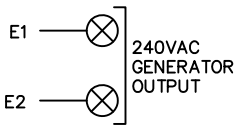
COMPONENTS LOCATED IN CONTROL PANEL



COMPONENTS LOCATED IN CUSTOMER CONNECTION AREA







LEGEND:

AS_	-	AUXILIARY SHUTDOWN SWITCH
BA	-	BRUSH ASSEMBLY
CB	-	CIRCUIT BREAKER, MAIN OUTPUT
CT_	-	CURRENT TRANSFORMER
FS	-	FUEL SOLENOID
HOT	-	HIGH OIL TEMP SWITCH
IM_	-	IGNITION MODULE
J_	-	MAIN CONTROLLER CONNECTIONS
LED	-	LED BOARD
LOP	-	LOW OIL PRESSURE SWITCH
R	-	RESISTOR
SC	-	STARTER CONTACTOR
SCR	-	STARTER CONTROL RELAY
SM	-	STARTER MOTOR
SP_	-	SPARK PLUG
WM	-	WIRELESS MODULE

