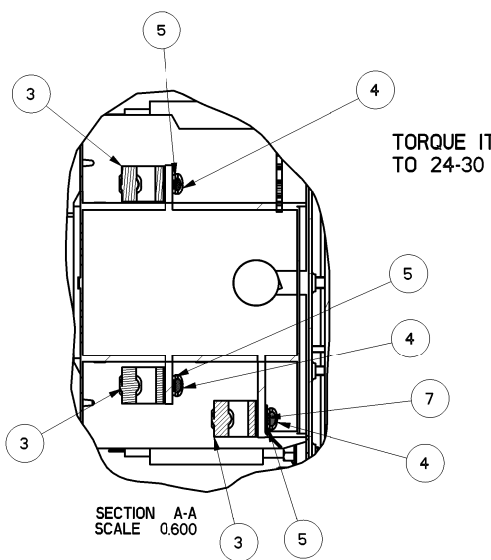
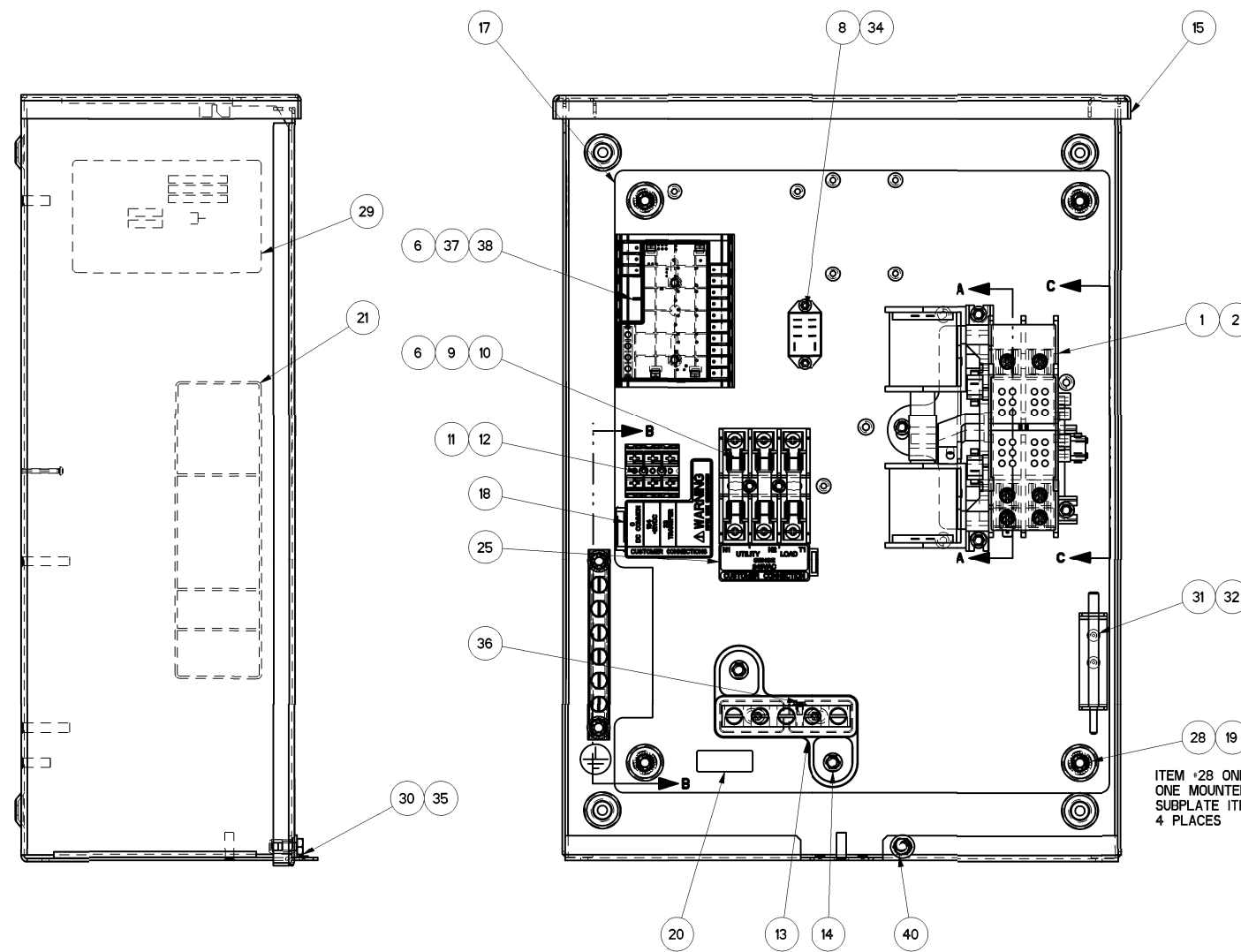
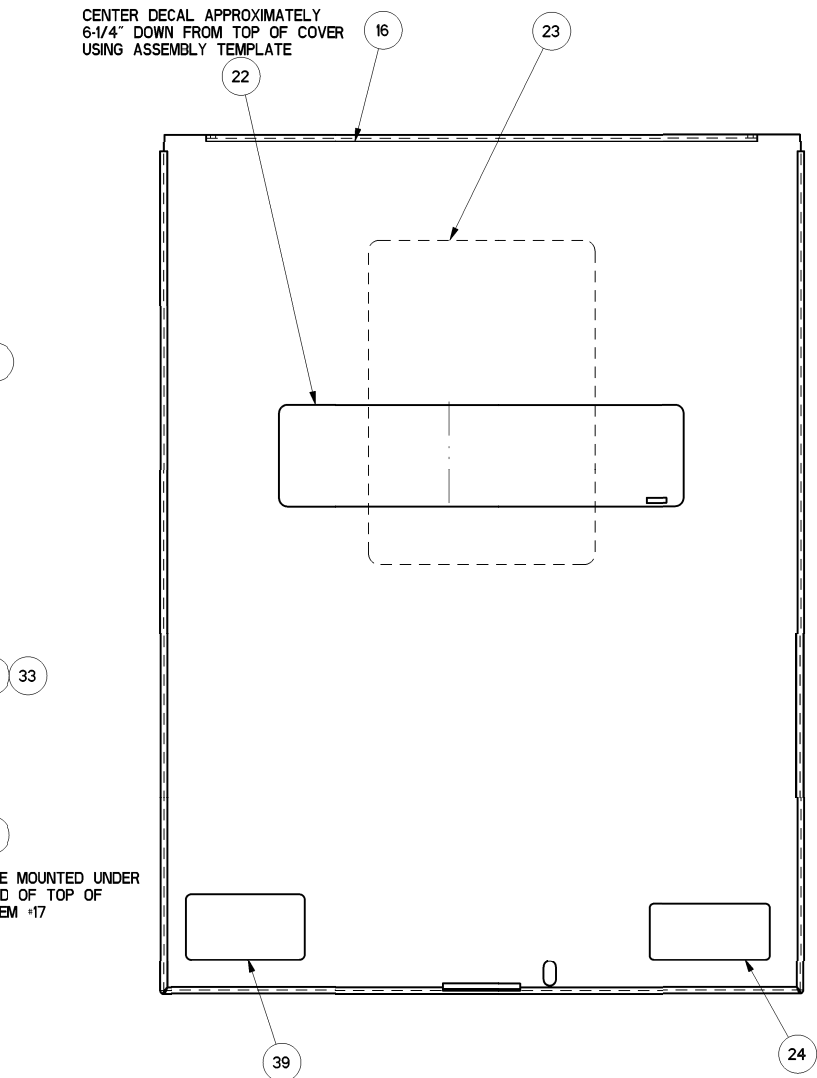


ITEM #	PART #	QTY	DESCRIPTION
1	0L2910	1	XFRSW HSB 100A 2P 250V
2	074908	4	SCREW HHTT M5-0.8 X 10 BP
3	077033	6	LUG SLDLSS 1/0-#14X9/16 AL/CU
4	0G7624	6	SCREW PPHM #10-32 X 5/16
5	022152	6	WASHER LOCK #10
6	0A1495	4	SCREW HHTT M4-0.7 X 10 BP
7	0G74138	1	LUG DIS QK NI-S 10X45 DEG BR/T
** 8	0K0103	1	RELAY PNL 12VDC DPDT 10A@240VA
** 9	0D2572	1	FUSEBLOCK 30A 600V 3POS W/SO
10	073590A	3	FUSE 5A X BUSS
** 11	0D7393T	1	TERM BLOCK 3P UL 12-20AWG
12	0L3068	2	SCREW THTT M3-0.5 X 25 ZP
13	0K0108	1	ASSY-NEUT BLK 100A
14	090388	2	SCREW HHTT M6-1.0 X 12 ZINC
15	0K01120ALOR	1	ENCLOSURE 100/200A XFER SW_RAW
16	0K01130ALOR	1	COVER 100A XFER SWITCH_INST_RAW
17	0K0114	1	SUBPLATE,100/200A XFER SW
18	0H7917	1	DECAL CUSTOMER CONN RTS
19	0G8411	6	NUT HEX FL WHIZ 1/4-20
20	0A9457	1	DECAL, NEUTRAL
21	0A9517	1	DECAL MANUAL 5A FUSE
* 22	0K1098	1	DECAL RTS TRANSFER SW GENERAC
23	0K1800	1	DECAL TEST SEQUENCE 100/200A NON
24	0G3274	1	DECAL LIVE CIRCUIT ENG/FRN/SPN
25	0H6389	1	DECAL UTILITY LOAD SENSE 240V
26	0J8202	1	LUG SLDLSS 2/0-#14X#10-32X.125
27	026850	2	WASHER LOCK EXT 1/4 STL
28	022473	4	WASHER FLAT 1/4-M6 ZINC
* 29	0K1799A	1	DECAL DATA NON SE SW 100A
30	085296	1	SCREW HHC 1/4-20 X 1/2 SS
31	0D6162	2	RIVET POP .156 X .362 AL
32	0E6155	1	PIN ARM EXTENDER
33	0E6193	1	BRACKET, ARM EXTENDER
34	0F2659	2	SCREW HHTT M3-0.5 X 6 BP
35	0A2115	1	WASHER NYLON .257
36	026902	1	SCREW HHTT #8-32 X 1/4 CZ
37	0H7270	1	CHANNEL SNAPTRACK 76.2 X 101.2
38	0L3123	1	ASSY SMART AC MOD
39	0H7274	1	DECAL NEC COMPLIANCE
40	0L6699	1	NUT TRIC 1/4-20 ALUM
41	0L3246	1	WIRE HARNESS 100/200A RTS

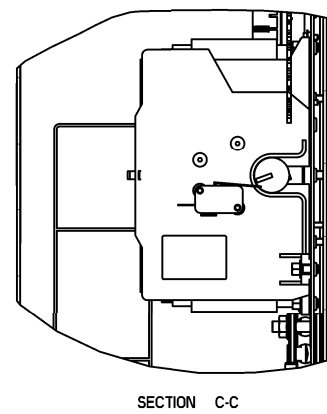
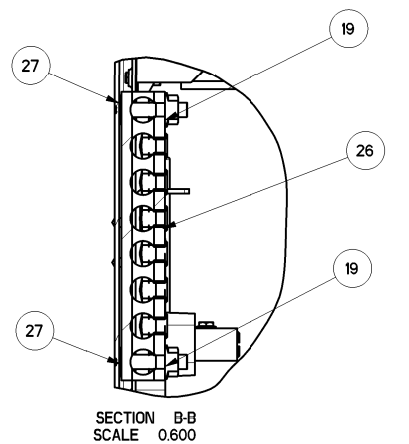
**SERIAL NUMBER AND FRONT DECAL PER MODEL
 **SUPPLIED WITH HARNESS ITEM #41

PART NUMBER	DESCRIPTION	ITEM # 29	ITEM # 22
0L3210	ASSEMBLY 100A 120/240 NON SE	0K1799A	PER MODEL
0L3210A	EXPLODED VIEW DRAWING	N/A	N/A
0L3210B	ASSEMBLY 100A 120/240 NON SE	0K1799A	0K1098
0L3210C	ASSEMBLY 100A 120/240 NON SE	0J3806A	0K1274

GENERAL TOLERANCES UNLESS NOTED		THIRD ANGLE PROJECTION	
ALL XX	± 0.4 MM		TITLE ASSEMBLY DWG 2-POLE 100A 120/240V
XXX	± 0.4 MM		
ALL DIM	± .015 MM		
INTERPRET DIM AND TOL PER ASME Y14.5M-1994		ISSUE DATE: SIZE D CAGE NO N/A DWG NO 0L3210\$ SCALE 0.450 WT-KG 22428213.10 SHEET 1 of 1	REV C



TORQUE ITEM #4 TO 24-30 IN-LBS



REFERENCE DRAWINGS
 0L3241 SCHEMATIC/WIRING DIAGRAMS
 0F6778 CARTON 30.5 X 14.2 X 7.8
 0H7275 TEST PROC HSB XFRSW
 0K0115 KIT ENCL 100/200A NON SE AL

GENERAL ASSEMBLY DRAWING

DRAWING CREATED FROM PRO/ENGINEER 3D FILE. ECO MODIFICATION TO BE APPLIED TO SOLID MODEL ONLY.

© GENERAL POWER SYSTEMS 2010
 ELECTRONICALLY APPROVED INSIDE WINDCHILL