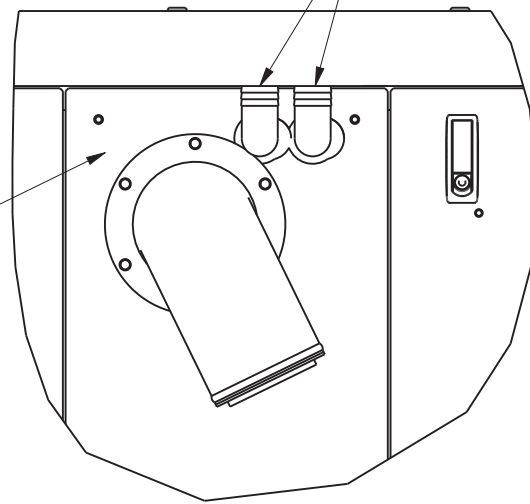
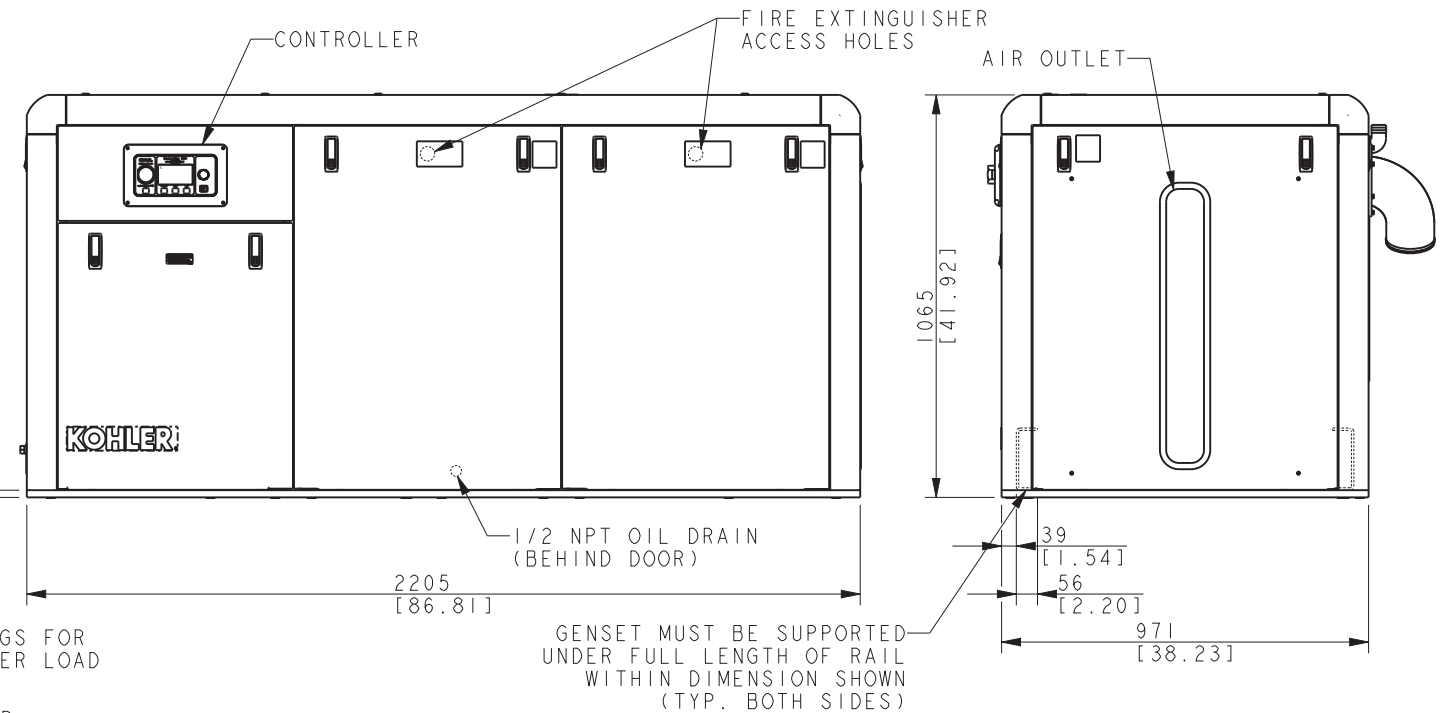
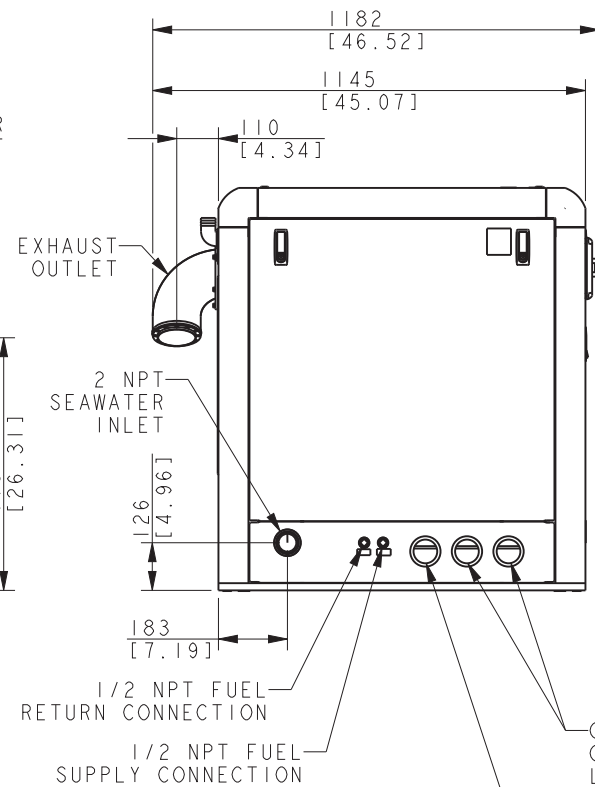
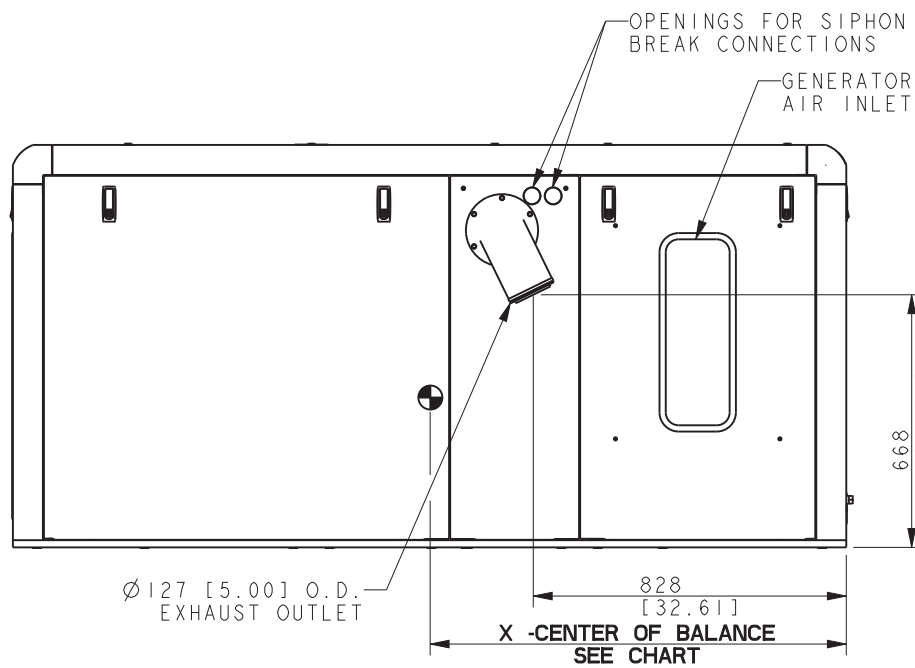
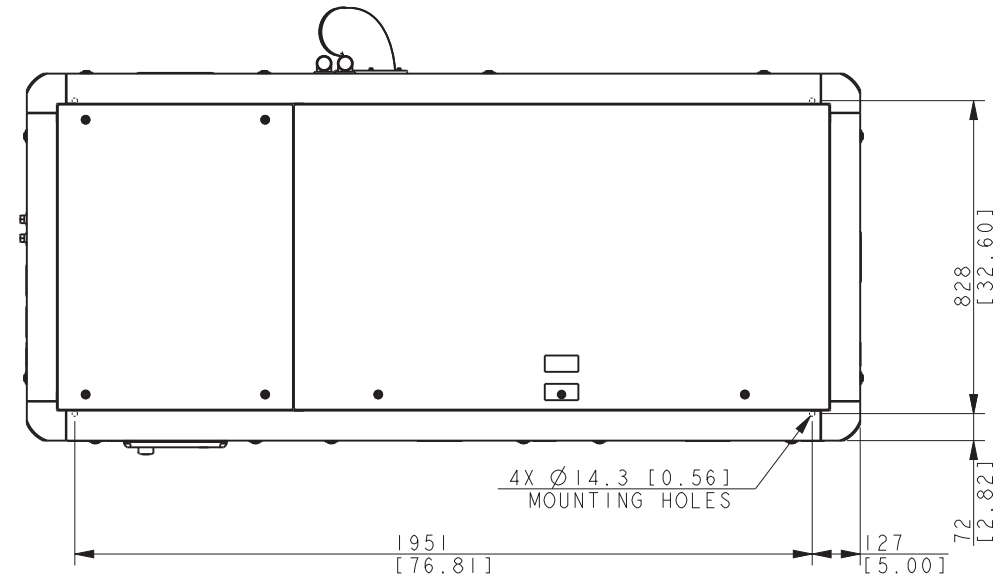


SIPHON BREAK CONNECTIONS FOR 38 [1.50] I.D. HOSE

SOUND SHIELD EXHAUST PANEL



OPTIONAL SIPHON BREAK KIT SCALE 0.250



OPENINGS FOR CUSTOMER LOAD LEADS
OPENING FOR BATTERY CABLES

NOTE:
DIMENSIONS IN [] ARE INCH EQUIVALENTS.

MODEL	WEIGHT		CENTER OF BALANCE (DIMENSION X)
	WET - KG [LBS]	DRY - KG [LBS]	MM [IN]
125EOZDJ/100EFOZDJ	1662 [3665]	1626 [3585]	1094 [43.1]
150EOZDJ/125EFOZDJ	1698 [3744]	1662 [3664]	1096 [43.1]

NOTE
CENTER OF BALANCE DIMENSION IS TAKEN FROM REAR OF SOUND SHIELD.

TIER III
125EOZDJ/100EFOZDJ
150EOZDJ/125EFOZDJ
JOHN DEERE MARINE

REV	DATE	ON COMPOSITE DWGS. SEE PART NO. FOR REVISION LEVEL	BY
-	1-8-14	NEW DRAWING [CT67146]	DDH
A	22APR2024	(A-5,7) UPDATED TABLE VALUES [CT235193]	MGH

UNLESS OTHERWISE SPECIFIED -
1) DIMENSIONS ARE IN MILLIMETERS
2) TOLERANCES ARE:
X.XX ±
X.X ±
X ±
ANGLES ±

THIRD ANGLE PROJECTION

APPROVALS	DATE
DRAWN DDH	1-8-14
CHECKED DDH	1-8-14
APPROVED TLW	1-8-14

KOHLER CO. METRIC PRO-E
POWER SYSTEMS, KOHLER, WI 53044 U.S.A.
THIS DRAWING IN DESIGN AND DETAIL IS KOHLER CO. PROPERTY AND MUST NOT BE USED EXCEPT IN CONNECTION WITH KOHLER CO. WORK. ALL RIGHTS OF DESIGN OR INVENTION ARE RESERVED.

TITLE
DIMENSION PRINT, 125-150KW JD SOUND SHLD

SCALE 0.10 CAD NO. SHEET 1 of 1
DWG NO. **ADV-8509**