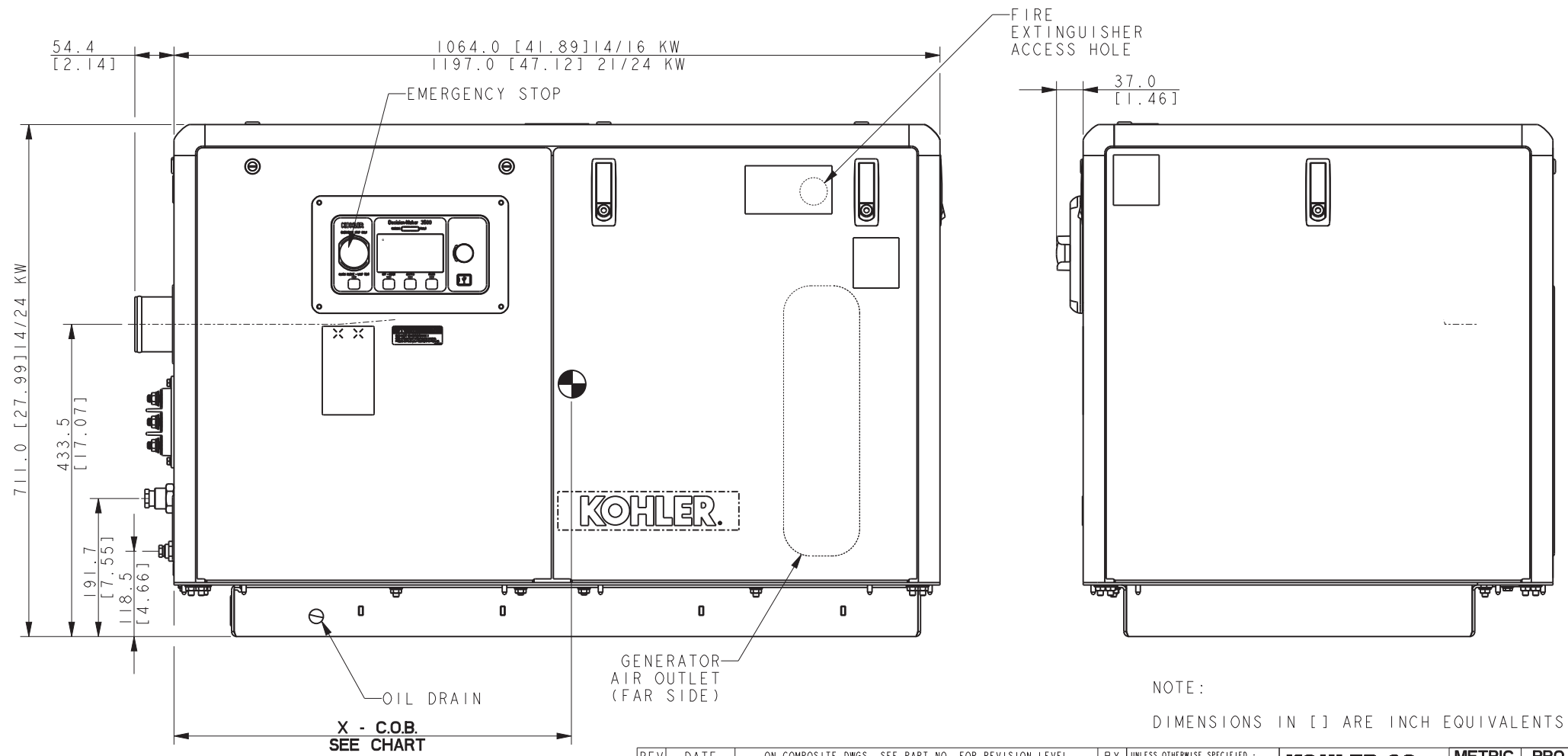
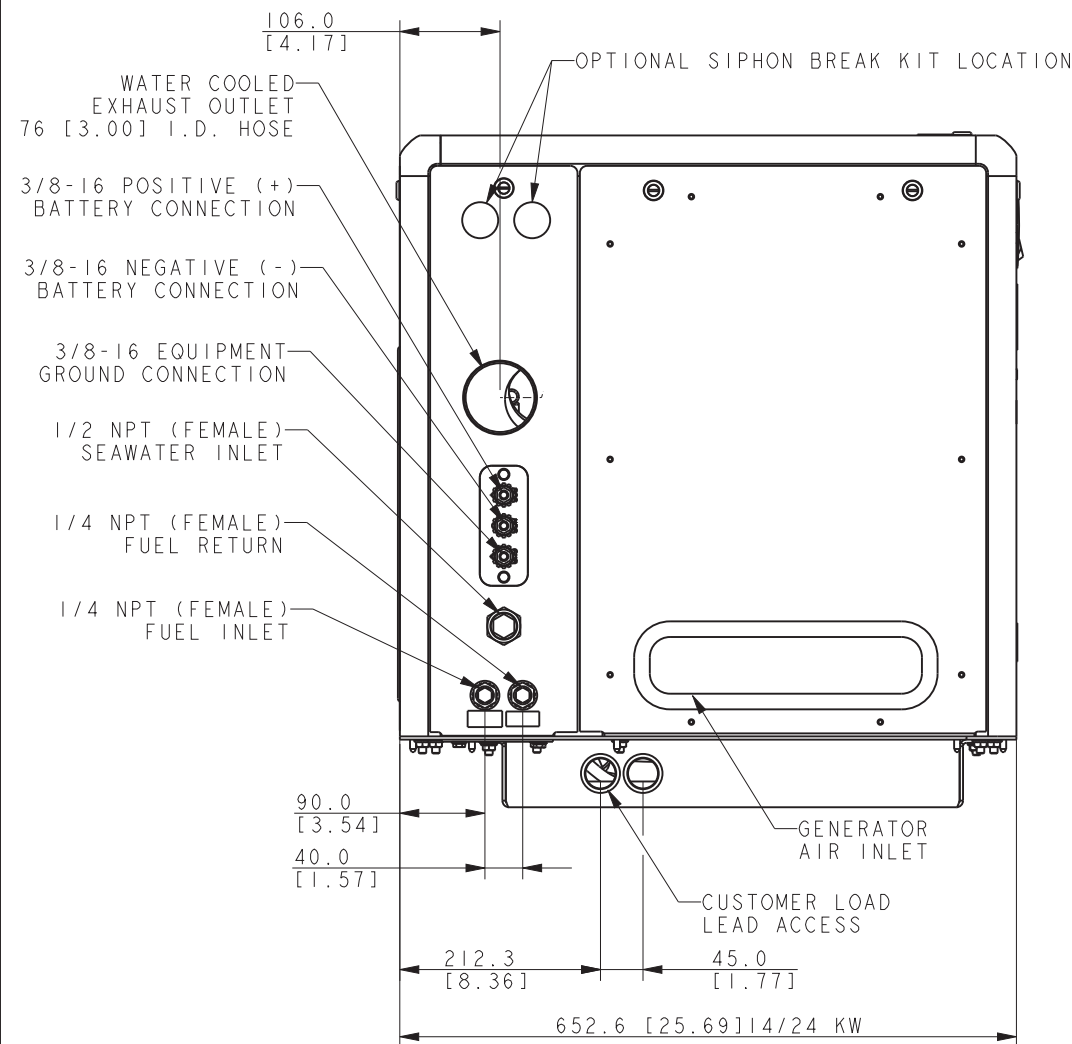
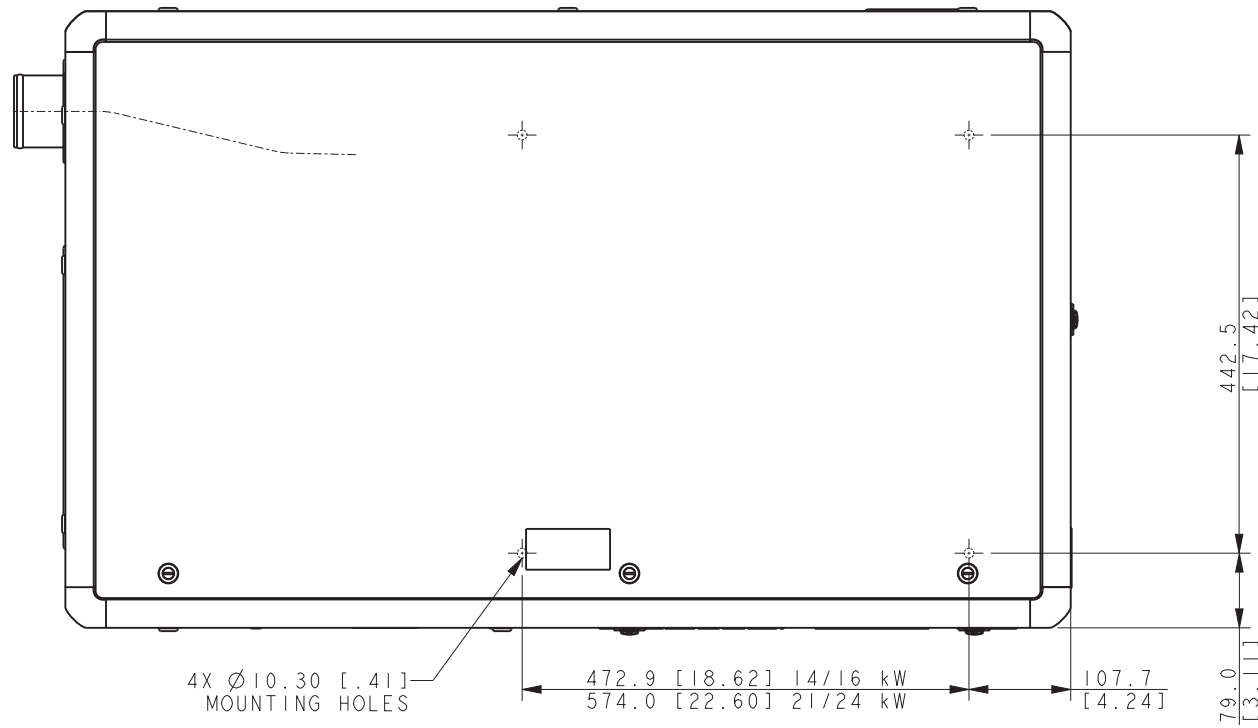


MODEL	WEIGHT		C.O.B. (DIM. "X")
	WET -KG [LBS]	DRY -KG [LBS]	MM [IN]
14EKOZD/12EFKOZD	398 [877]	385 [849]	495 [19.5]
16EKOZD/13.5EFKOZD	406 [896]	393 [866]	500 [19.7]
21EKOZD/18-17EFKOZD	480 [1059]	462 [1019]	565 [22.3]
24EKOZD/20.5EFKOZD	489 [1078]	471 [1038]	578 [22.8]

NOTE:
C.O.B. DIMENSION IS TAKEN FROM REAR OF SOUND SHIELD.



SOUND SHIELD WITH REAR CONNECTION PANEL

14-24 KW
KDI MARINE
SOUND SHIELDS

REV	DATE	ON COMPOSITE DWGS. SEE PART NO. FOR REVISION LEVEL	BY
B	1-10-18	SHEETS 3 & 4 ADDED [CT183412]	RMJ
C	22APR2024	(D-6,7,8) WEIGHT AND COB DETAILS TABLE ADDED; COB DIM REF. NOTE ADDED; (B-4) CG SYMBOL ADDED; (A-4,5) X- COB SEE CHART ADDED; (B-5) 433.5 [17.07] WAS 431.0 [16.97]; (A-5) 191.7 [7.55] WAS 194.2 [7.64], 118.5 [4.66] WAS 121.0 [4.76]; (A-1,2) INCH EQUIVALENT NOTE ADDED; SEE SHEET 2,3 & 4 [CT235194]	MGH

UNLESS OTHERWISE SPECIFIED -
1) DIMENSIONS ARE IN MILLIMETERS
2) TOLERANCES ARE:
X.XX ±
X.X ±
X ±
ANGLES ±

THIRD ANGLE PROJECTION

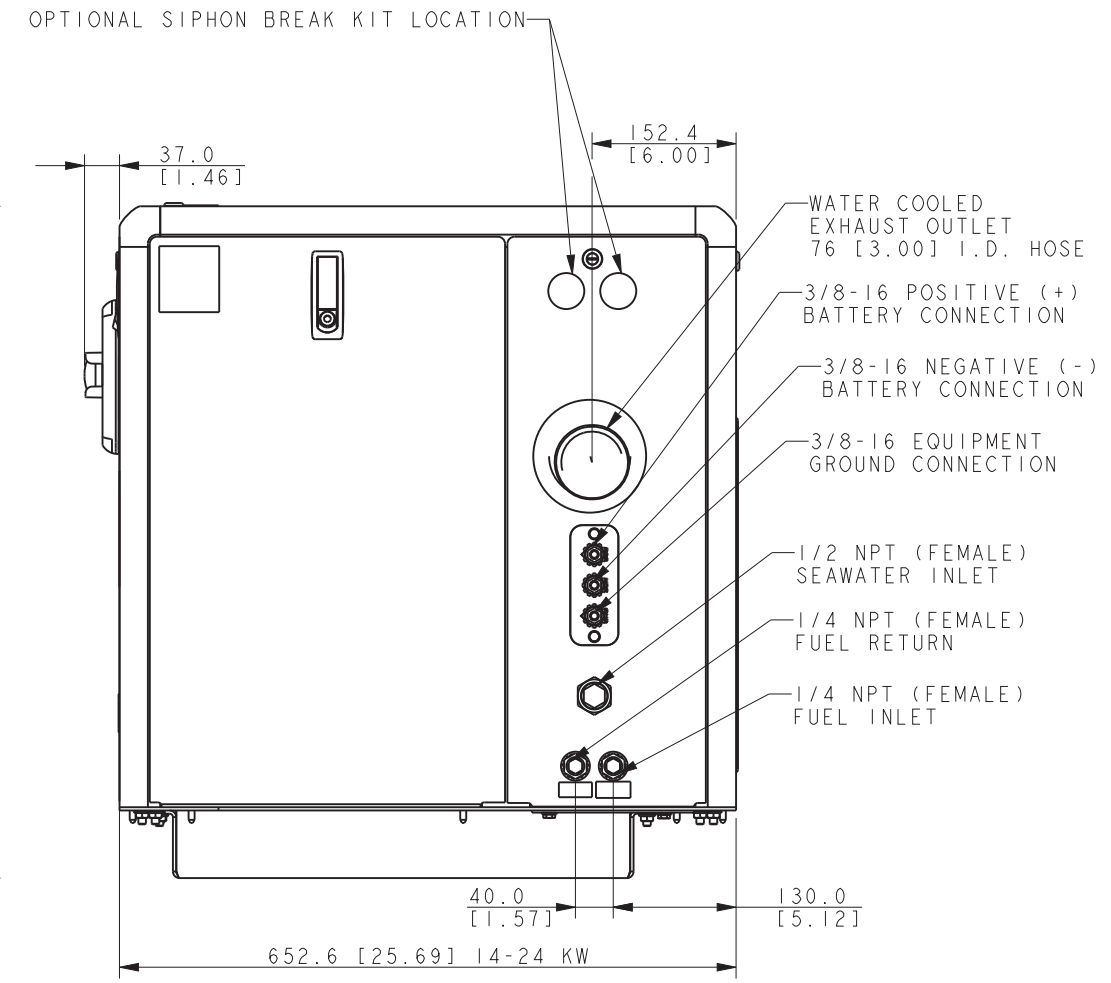
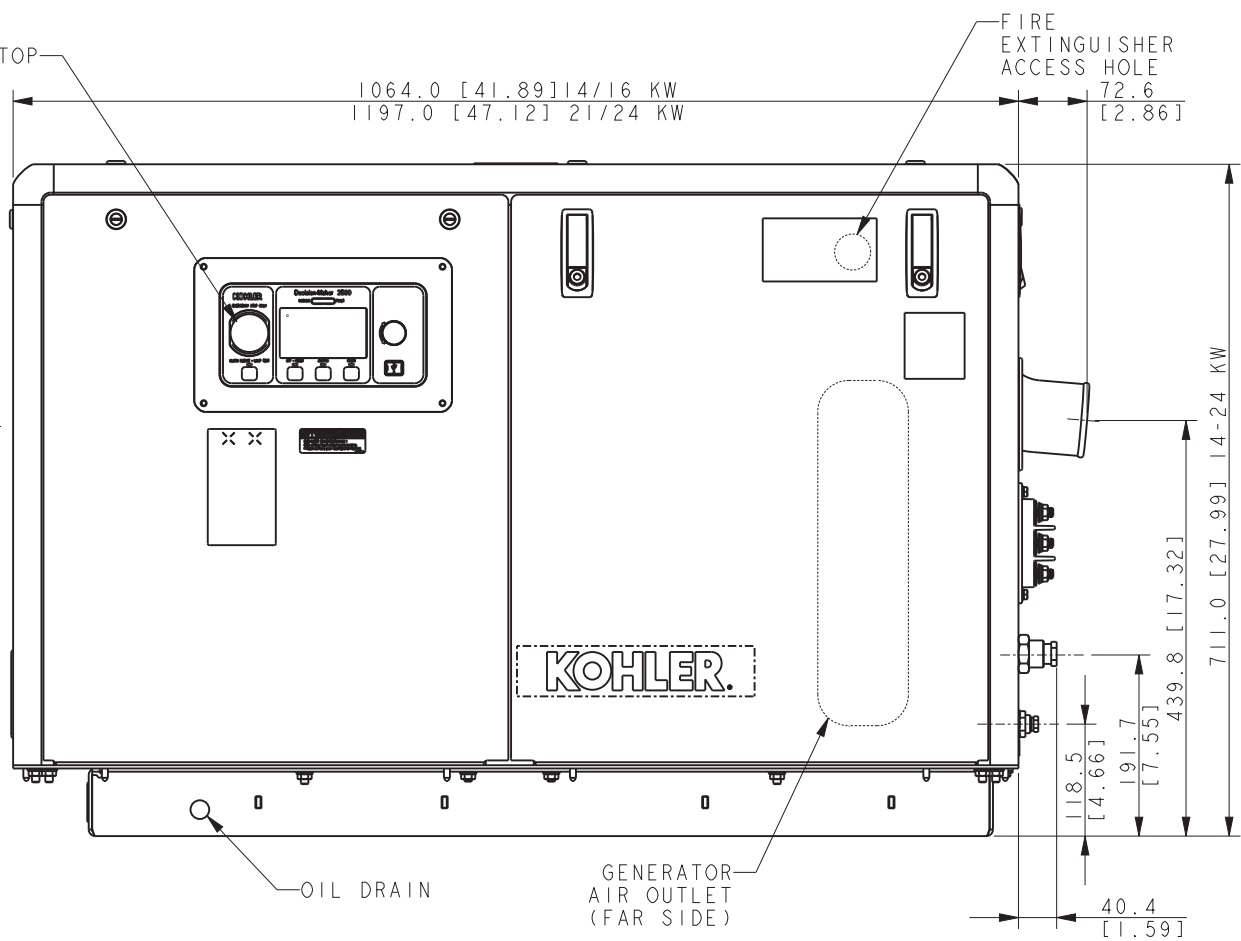
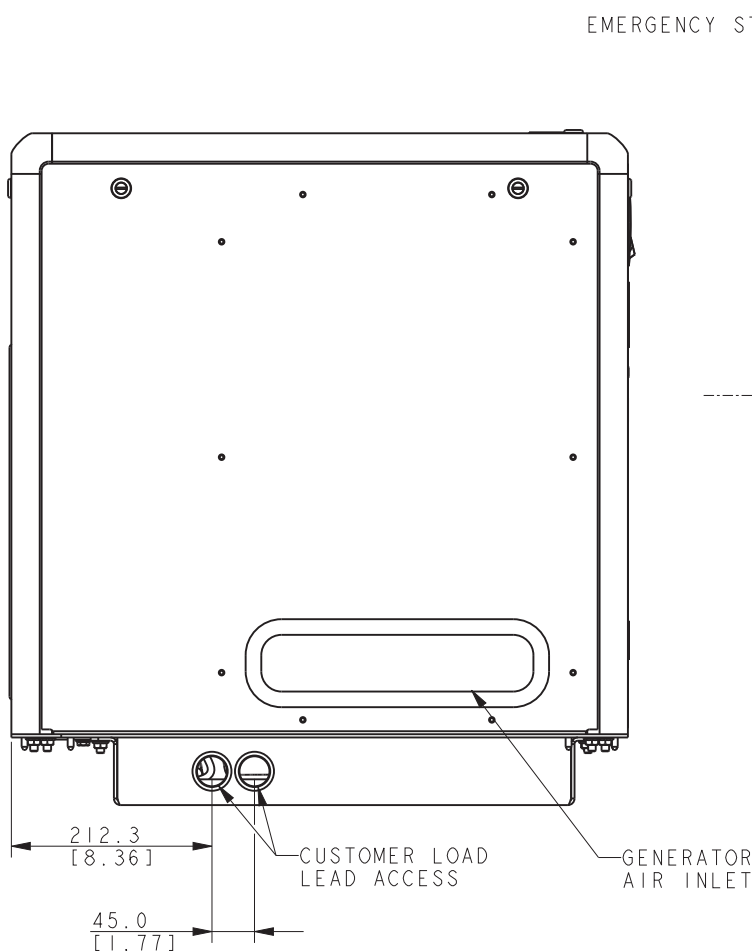
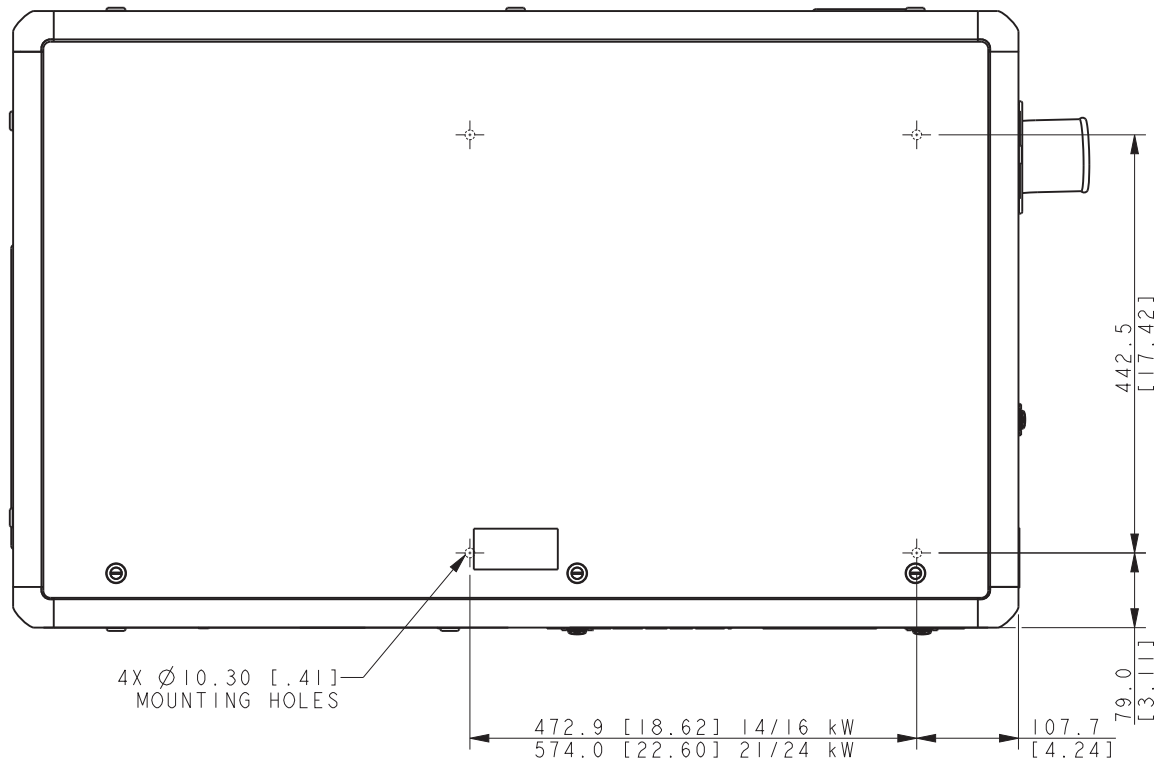
APPROVALS DATE
DRAWN RMJ 5-4-16
CHECKED DDH 5-4-16
APPROVED TLW 5-4-16

KOHLER CO. METRIC PRO-E
POWER SYSTEMS, KOHLER, WI 53044 U.S.A.
THIS DRAWING IN DESIGN AND DETAIL IS KOHLER CO. PROPERTY AND MUST NOT BE USED EXCEPT IN CONNECTION WITH KOHLER CO. WORK. ALL RIGHTS OF DESIGN OR INVENTION ARE RESERVED.

TITLE
DIMENSION PRINT, SOUND SHIELD

SCALE 0.25 CAD NO. SHEET 1 of 4
DWG NO. **ADV-8881**

NOTE:
DIMENSIONS IN [] ARE INCH EQUIVALENTS.



SOUND SHIELD WITH FRONT CONNECTION PANEL

14-24 KW
KDI MARINE
SOUND SHIELDS

REV	DATE	ON COMPOSITE DWGS. SEE PART NO. FOR REVISION LEVEL	BY
B	1-10-18	SHEETS 3 & 4 ADDED [CT183412]	RMJ
C	22APR2024	(A-3) 118.5 [4.66] WAS 121.0 [4.76], 191.7 [7.55] WAS 195.3 [7.69]; SEE SHEET 1,3 & 4 [CT235194]	MGH

UNLESS OTHERWISE SPECIFIED -
1) DIMENSIONS ARE IN MILLIMETERS
2) TOLERANCES ARE:
X.XX ±
X.X ±
X ±
ANGLES ±

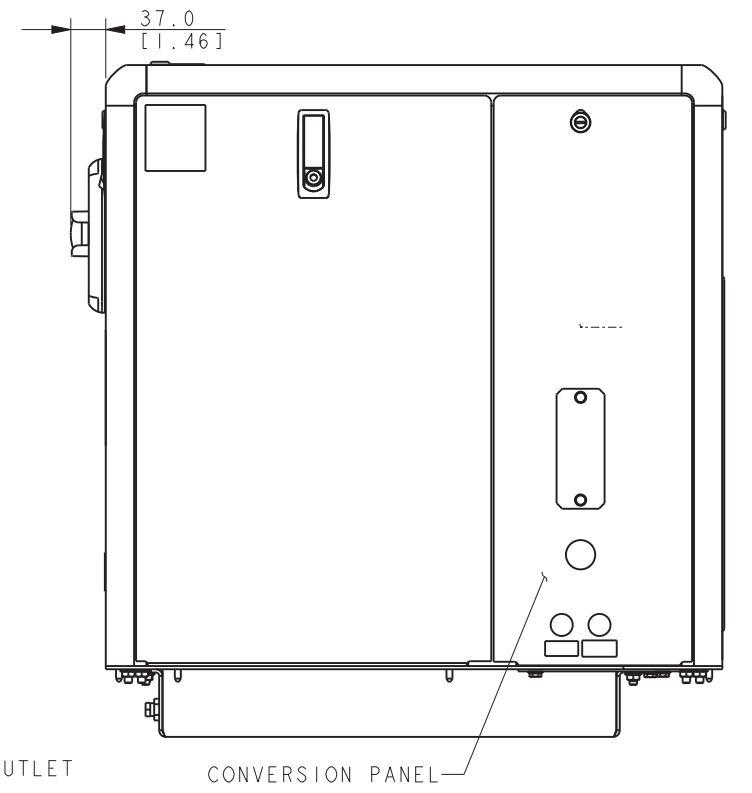
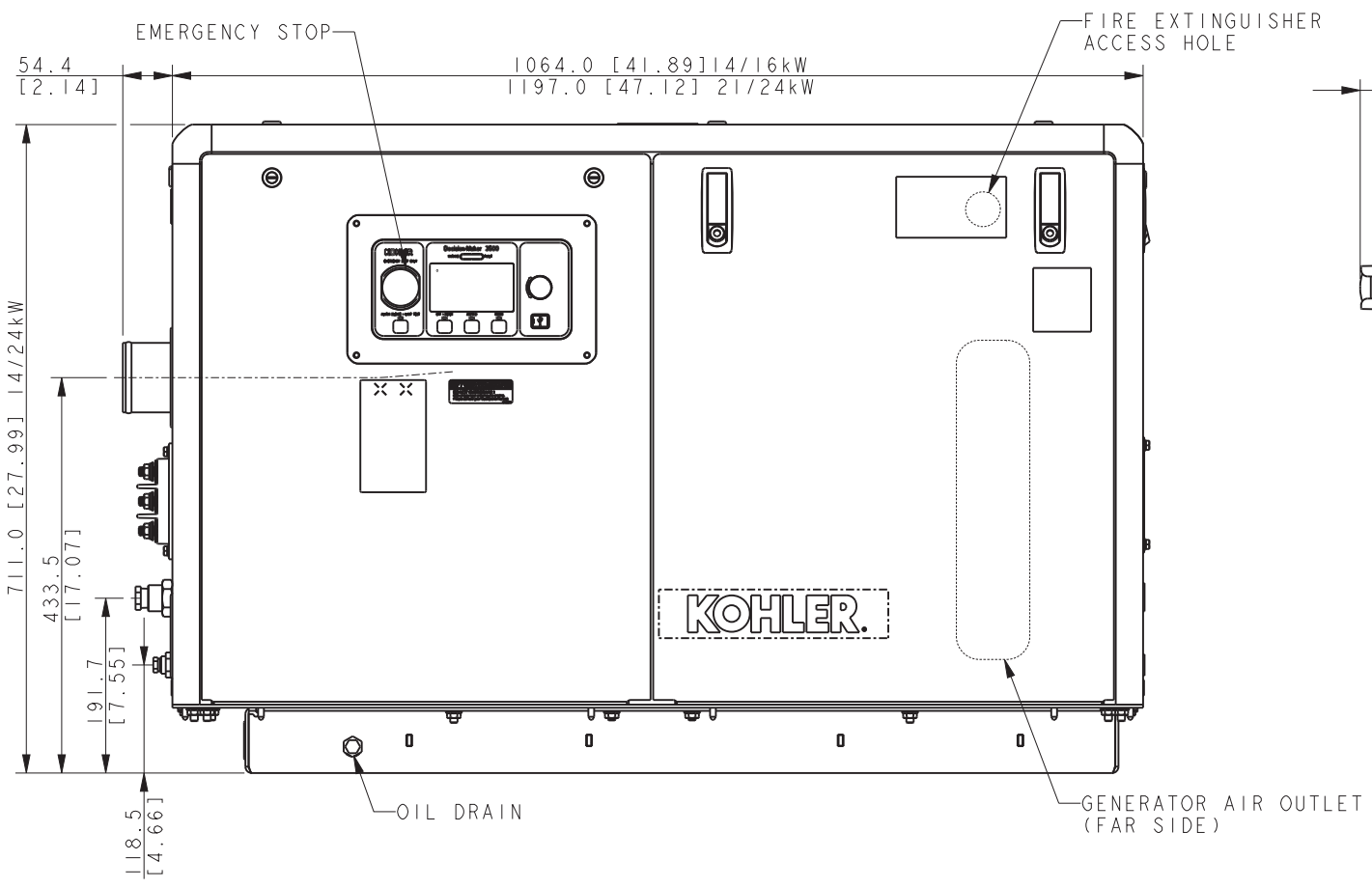
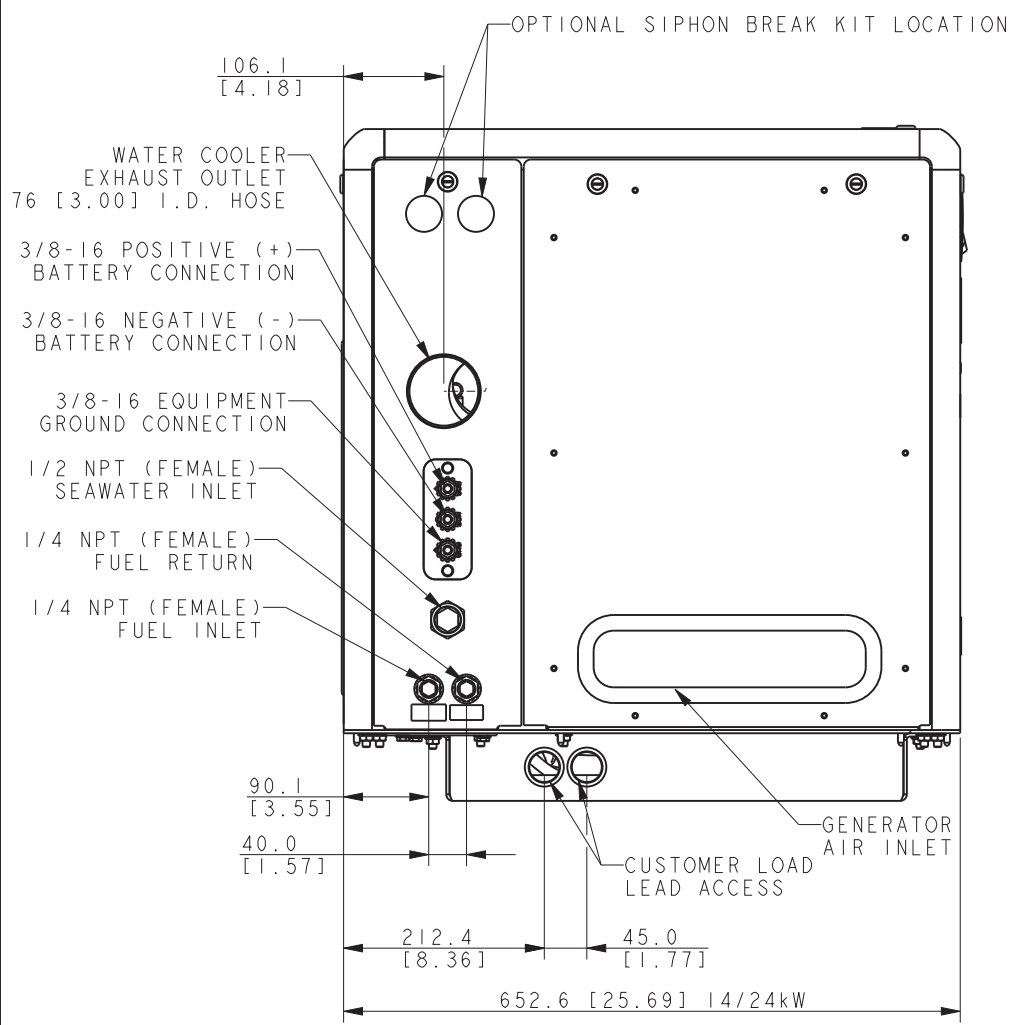
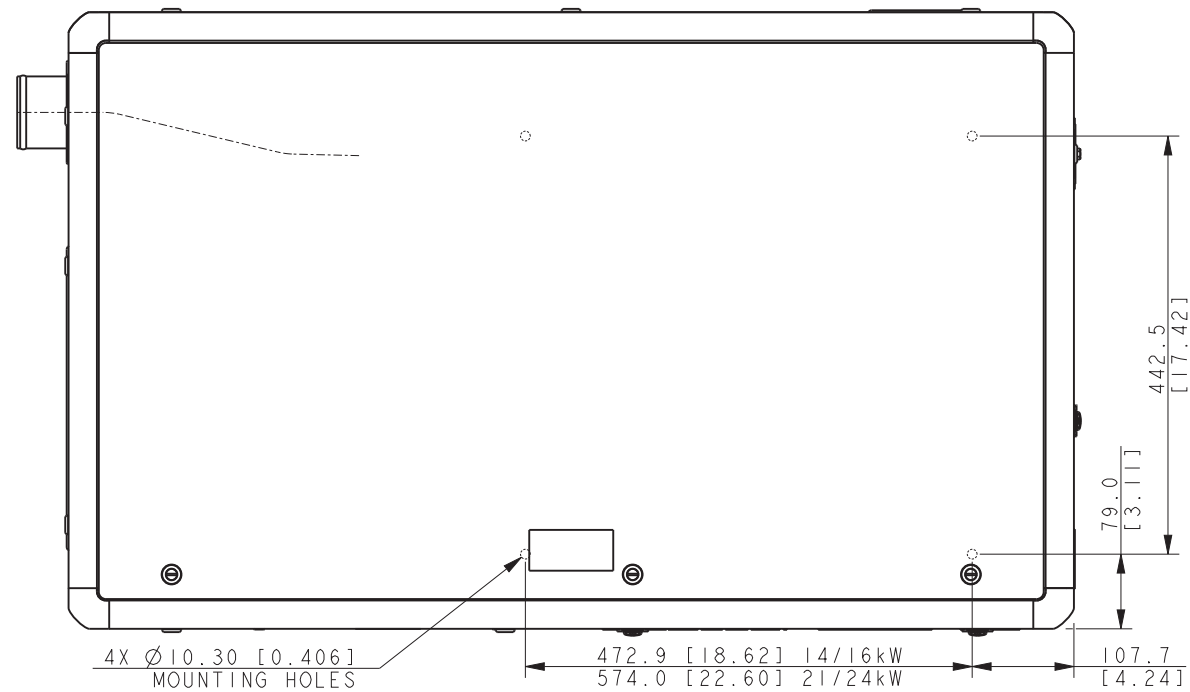
THIRD ANGLE PROJECTION

APPROVALS	DATE
RMJ	5-4-16
DDH	5-4-16
TLW	5-4-16

KOHLER CO. METRIC PRO-E
POWER SYSTEMS, KOHLER, WI 53044 U.S.A.
THIS DRAWING IN DESIGN AND DETAIL IS KOHLER CO. PROPERTY AND MUST NOT BE USED EXCEPT IN CONNECTION WITH KOHLER CO. WORK. ALL RIGHTS OF DESIGN OR INVENTION ARE RESERVED.

TITLE
DIMENSION PRINT, SOUND SHIELD

SCALE 0.25 CAD NO. SHEET 2 of 4
DWG NO. **ADV-8881**



SOUND SHIELD WITH REAR CONNECTION AND FRONT CONVERSION PANEL

14-24 KW
KDI MARINE
SOUND SHIELDS

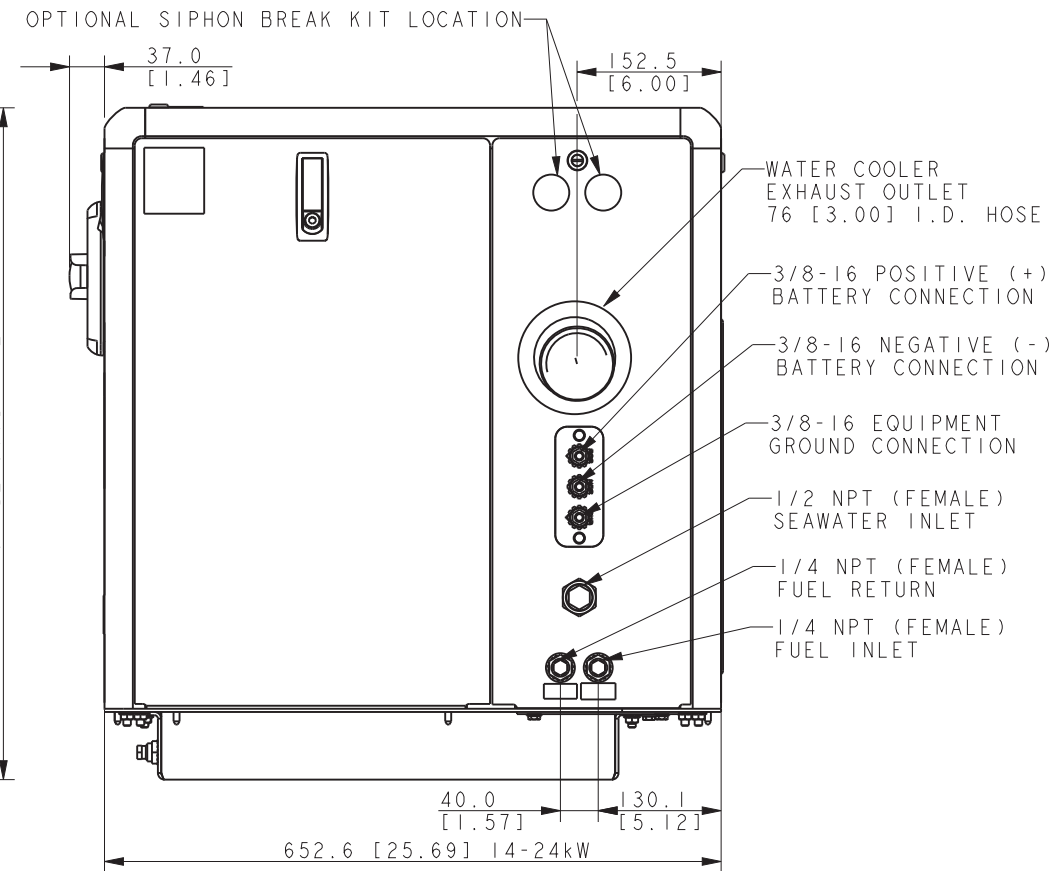
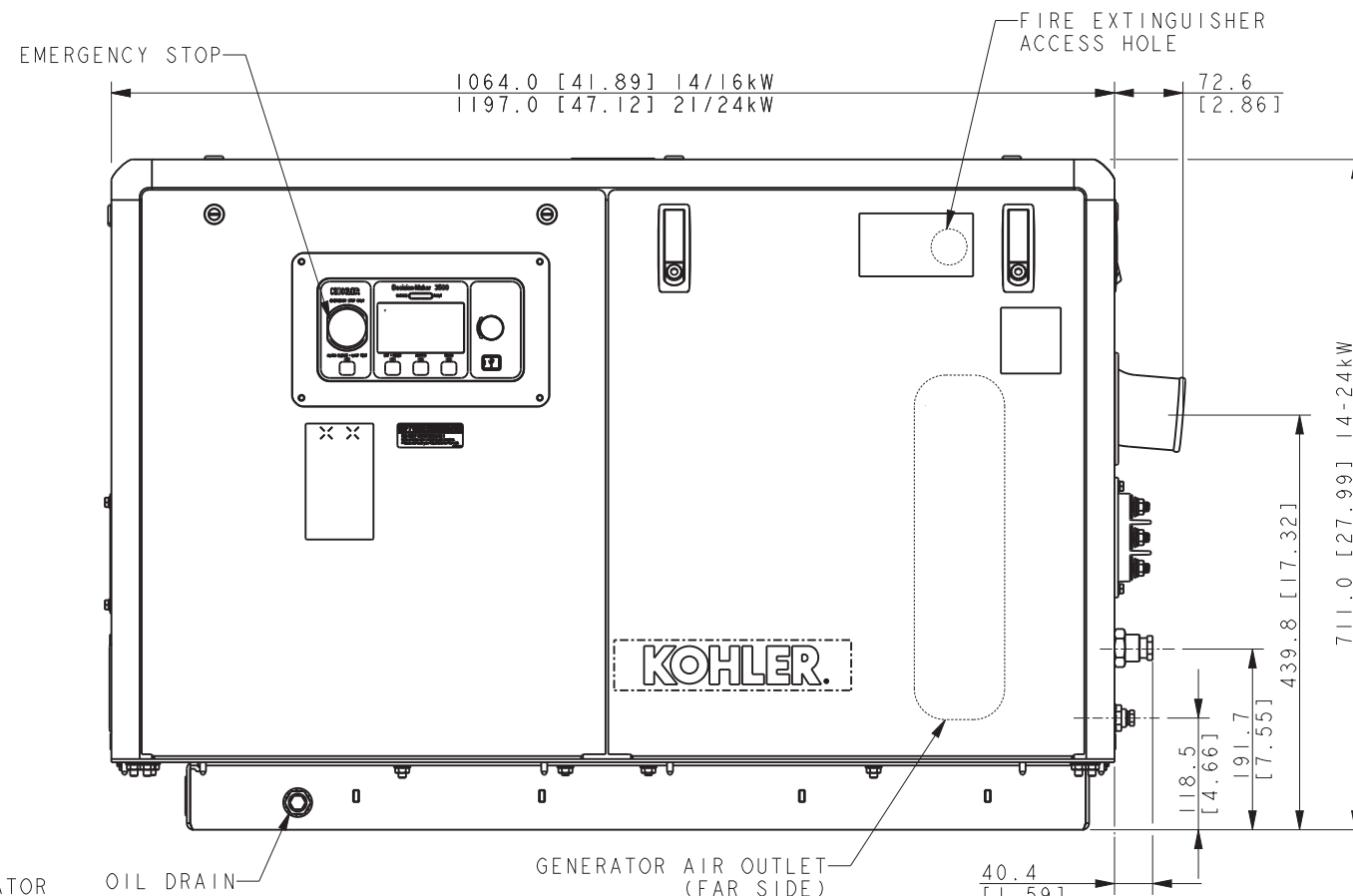
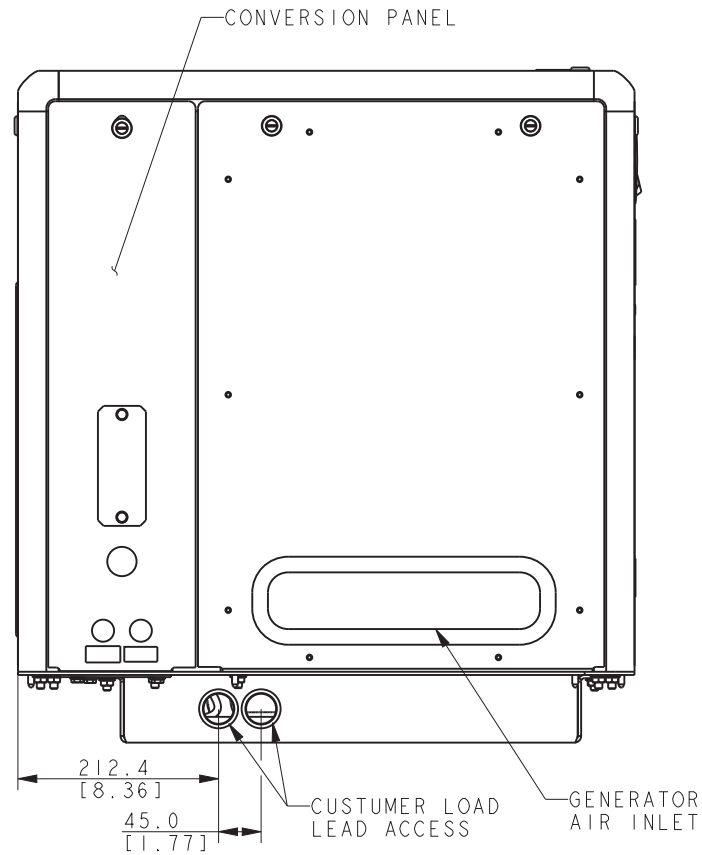
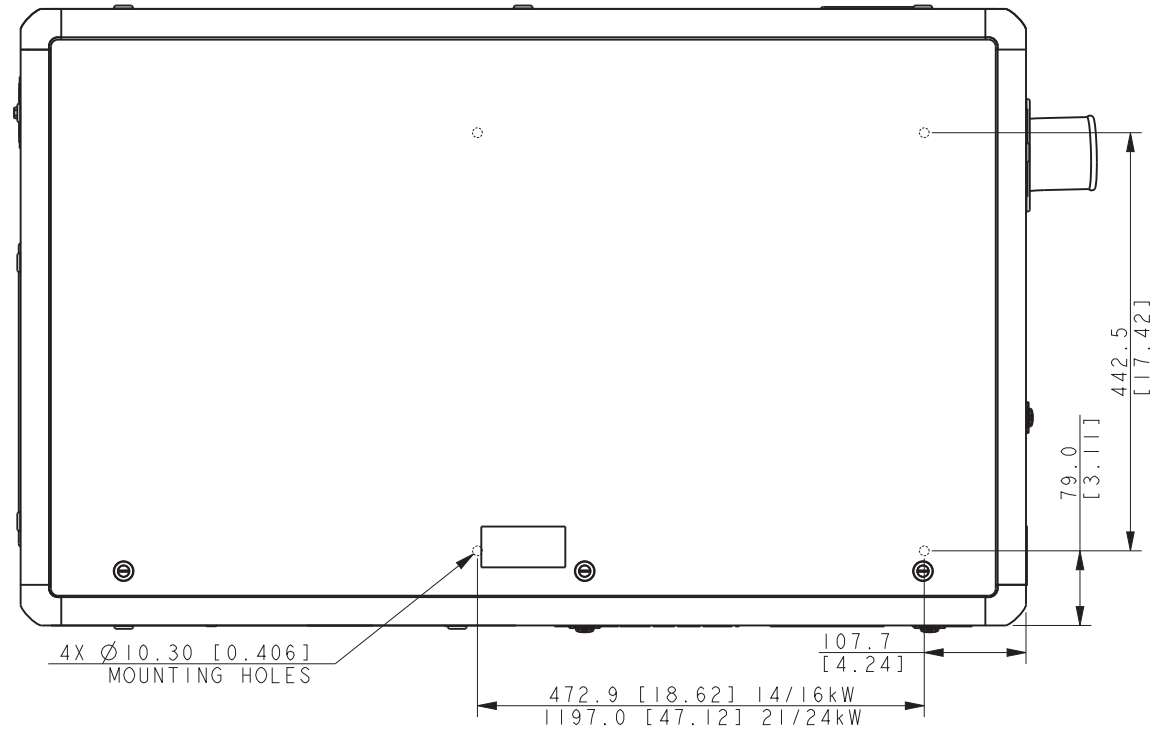
REV	DATE	ON COMPOSITE DWGS. SEE PART NO. FOR REVISION LEVEL	BY
B	1-17-18	SHEET 3 & 4 ADDED [CT183412]	RMJ
C	22APR2024	(B-6) 433.5 [7.55] WAS 431.0 [16.97]; (A-6) 191.7 [7.55] WAS 194.2 [7.64], 118.5 [4.66] WAS 121.0 [4.76] SEE SHEET 1,2 & 4 [CT235194]	MGH

UNLESS OTHERWISE SPECIFIED -
1) DIMENSIONS ARE IN MILLIMETERS
2) TOLERANCES ARE:
X.XX ± 0.25
X.X ± 1.0
X ± 1.5
ANGLES ± 0° 30' MAX.
THIRD ANGLE PROJECTION

APPROVALS	DATE
DRAWN RMJ	1-17-18
CHECKED DDH	1-17-18
APPROVED TLW	1-17-18

KOHLER CO. METRIC PRO-E
POWER SYSTEMS, KOHLER, WI 53044 U.S.A.
THIS DRAWING IN DESIGN AND DETAIL IS KOHLER CO. PROPERTY AND MUST NOT BE USED EXCEPT IN CONNECTION WITH KOHLER CO. WORK. ALL RIGHTS OF DESIGN OR INVENTION ARE RESERVED.

TITLE: **DIMENSION PRINT, SOUND SHIELD**
SCALE: 0.25 CAD NO. SHEET 3 of 4
DWG NO. **ADV-8881**



SOUND SHIELD WITH FRONT CONNECTION AND REAR CONVERSION PANEL

14-24 KW
KDI MARINE
SOUND SHIELDS

REV	DATE	ON COMPOSITE DWGS. SEE PART NO. FOR REVISION LEVEL	BY
B	1-17-18	SHEET 3 & 4 ADDED [CT183412]	RMJ
C	22APR2024	(B-4) 118.5 [4.66] WAS 121.0 [4.76], 191.7 [7.55] WAS 195.3 [7.69]; SEE SHEET 1, 2 & 3 [CT235194]	MGH

UNLESS OTHERWISE SPECIFIED -
1) DIMENSIONS ARE IN MILLIMETERS
2) TOLERANCES ARE:
X.XX ± 0.25
X.X ± 1.0
X ± 1.5
ANGLES ± 0° 30' MAX.

THIRD ANGLE PROJECTION

APPROVALS	DATE
DRAWN RMJ	1-17-18
CHECKED DDH	1-17-18
APPROVED TLW	1-17-18

KOHLER CO. METRIC PRO-E
POWER SYSTEMS, KOHLER, WI 53044 U.S.A.
THIS DRAWING IN DESIGN AND DETAIL IS KOHLER CO. PROPERTY AND MUST NOT BE USED EXCEPT IN CONNECTION WITH KOHLER CO. WORK. ALL RIGHTS OF DESIGN OR INVENTION ARE RESERVED.

TITLE
DIMENSION PRINT, SOUND SHIELD

SCALE 0.25 CAD NO. SHEET 4 of 4
DWG NO. **ADV-8881**