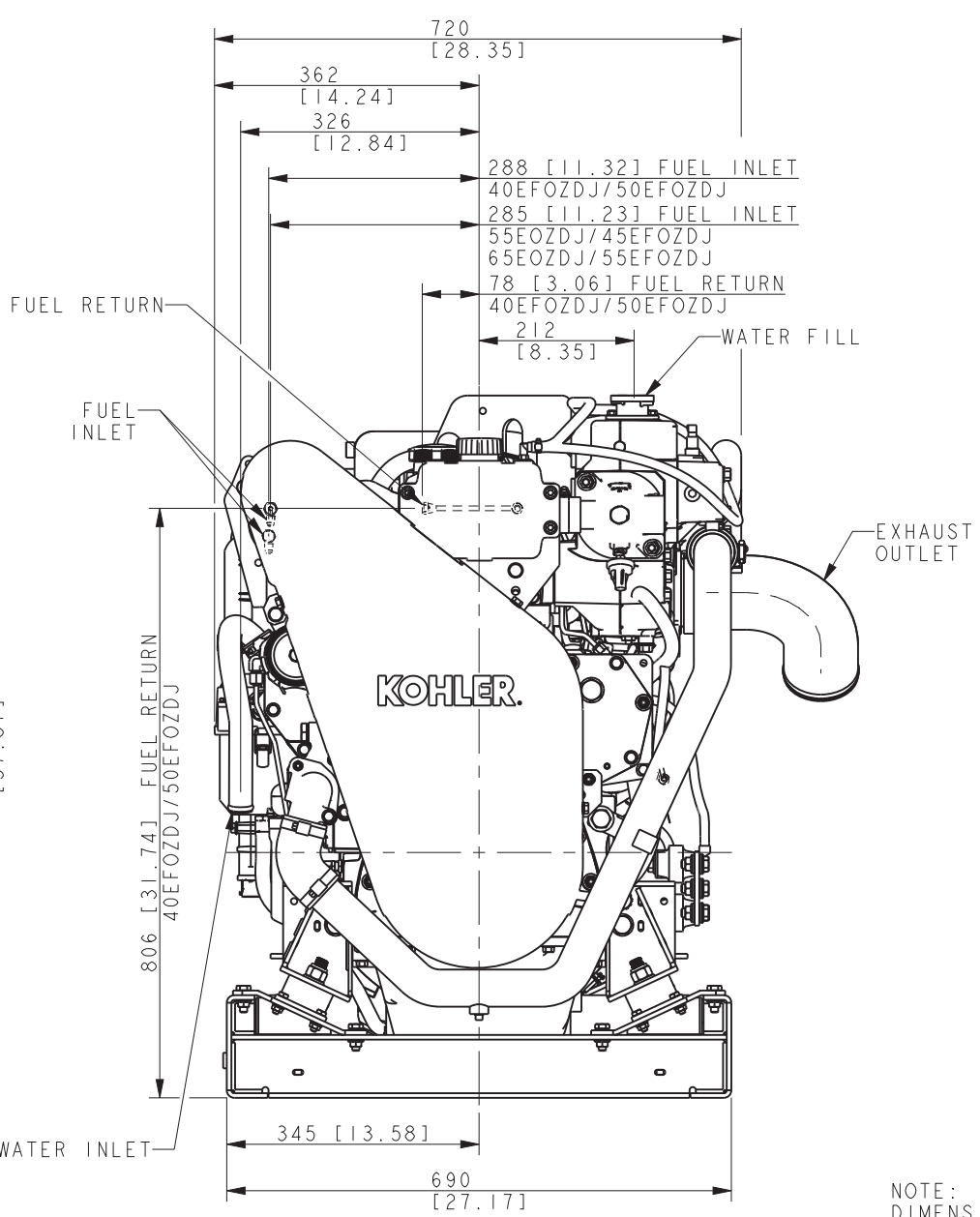
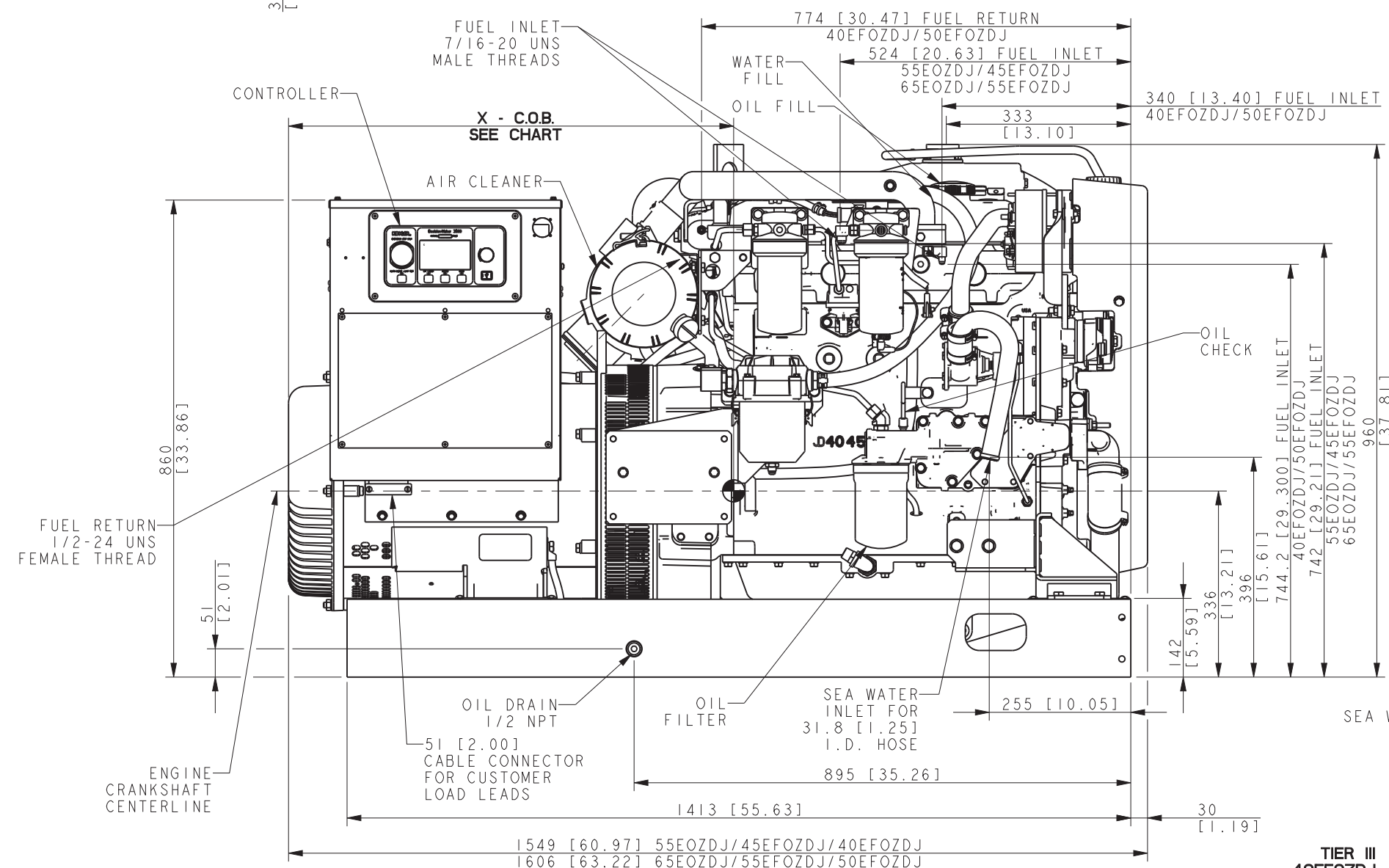


MODEL	WEIGHT		C.O.B. (DIM "X") MM [IN]
	WET -KG [LBS]	DRY - KG [LBS]	
40EFOZDJ	971 [2140]	943 [2080]	851 [33.50]
50EFOZDJ	1005 [2216]	978 [2156]	838 [33.00]
55EOZDJ/45EFOZDJ	961 [2119]	934 [2059]	834 [32.80]
65EOZDJ/55EFOZDJ	996 [2195]	969 [2135]	866 [34.10]

NOTE  
C.O.B. DIMENSIONS ARE FROM REAR OF ALTERNATOR END BRACKET



NOTE:  
DIMENSIONS IN [ ]  
ARE INCH EQUIVALENTS.

TIER III  
40EFOZDJ  
50EFOZDJ  
55EOZDJ/45EFOZDJ  
65EOZDJ/55EFOZDJ  
JOHN DEERE MARINE

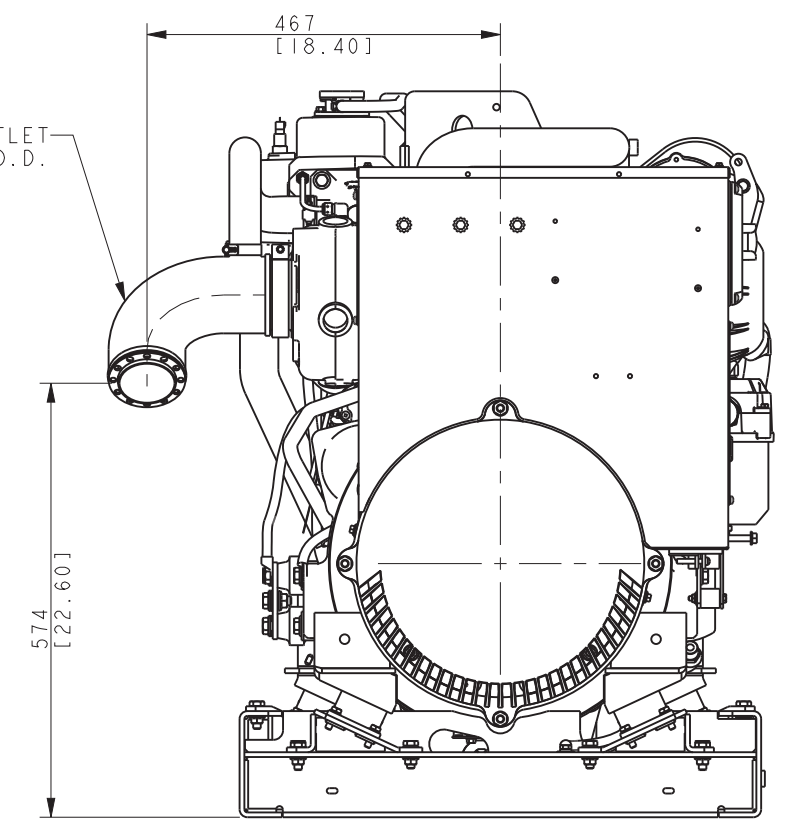
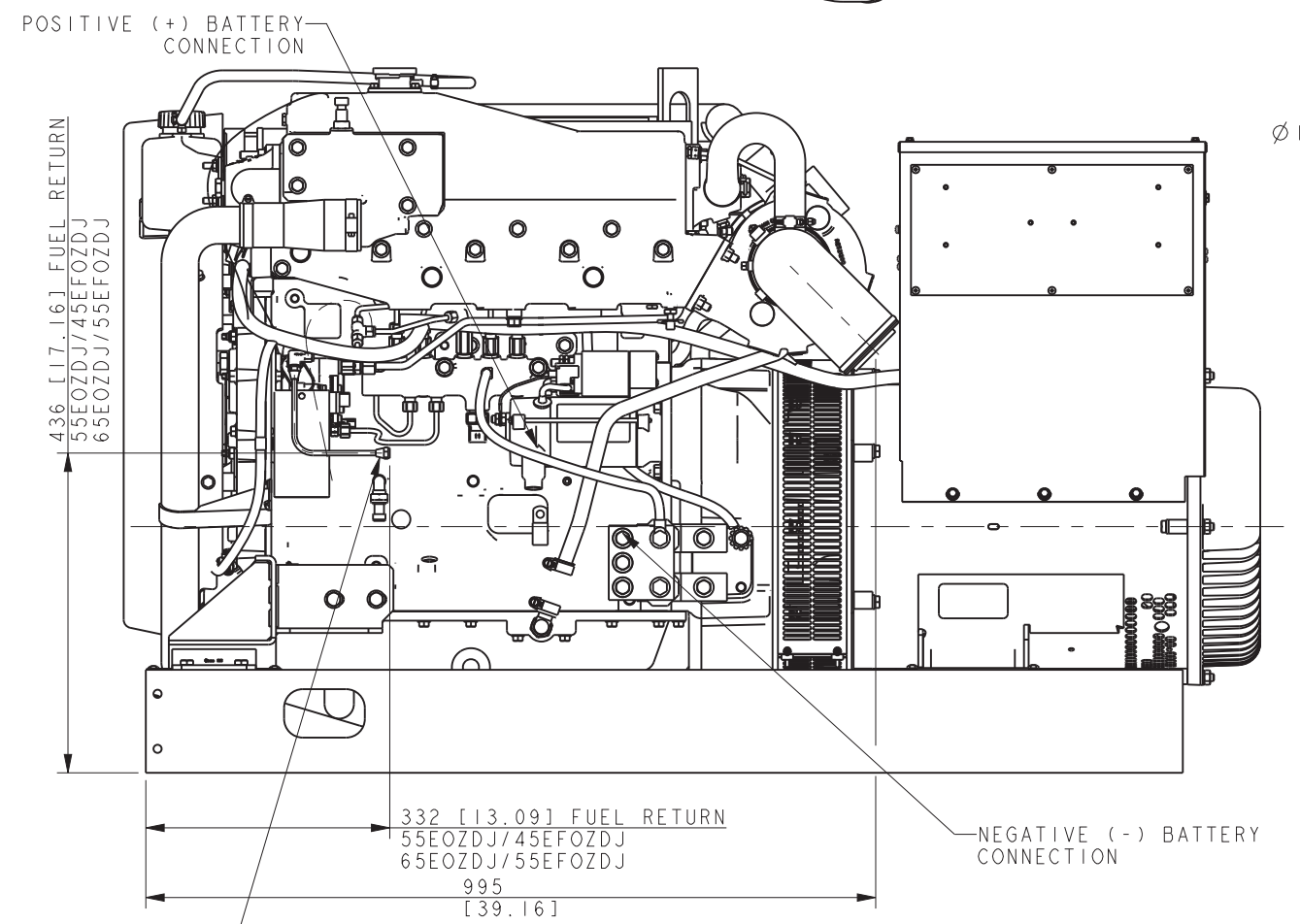
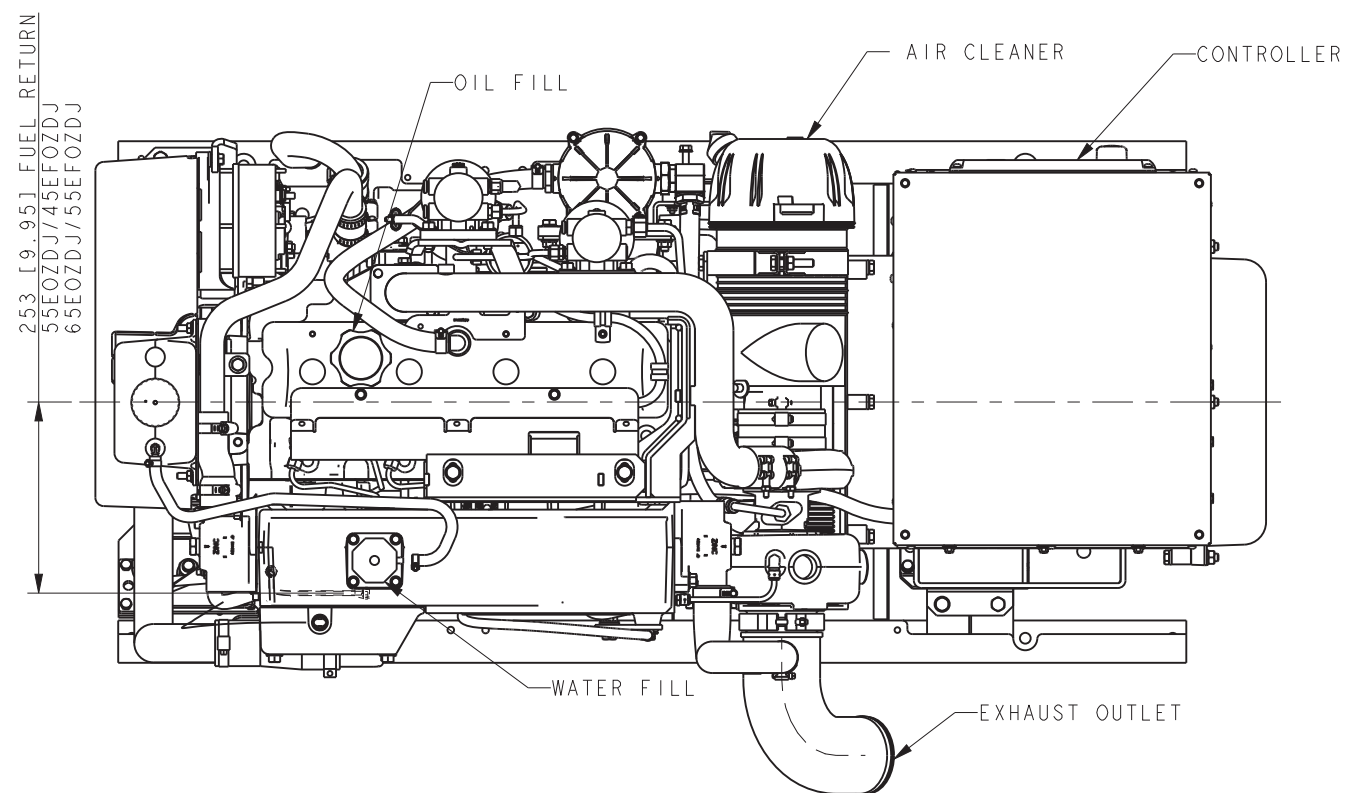
REV	DATE	ON COMPOSITE DWGS. SEE PART NO. FOR REVISION LEVEL	BY	UNLESS OTHERWISE SPECIFIED - 1) DIMENSIONS ARE IN MILLIMETERS
B	10-9-17	(D-40 4X PRIMARY WAS 1X SECONDARY. (C-4) 4X SECONDARY WAS 1X PRIMARY. (C-3) 720 WAS 738 & 362 WAS 375 DUE TO CORRECTION [CT179950])	AJW	
C	29APR2020	SEE SHEET 2 [CT203725]	TKK	
D	18APR2024	(C-7) X-COB SEE CHART ADDED; (A-8) ENGINE CSCL NOTE ADDED; SEE SHEET 2 [CT235193]	MGH	

**KOHLER CO.** METRIC PRO-E  
POWER SYSTEMS, KOHLER, WI 53044 U.S.A.  
THIS DRAWING IN DESIGN AND DETAIL IS KOHLER CO. PROPERTY AND MUST NOT BE USED EXCEPT IN CONNECTION WITH KOHLER CO. WORK. ALL RIGHTS OF DESIGN OR INVENTION ARE RESERVED.

TITLE  
**DIMENSION PRINT, 55-65EOZDJ JD MARINE**

SCALE 0.20 CAD NO. SHEET 1 of 2  
DWG NO. **ADV-8501**

APPROVALS  
DRAWN: BTS 1-29-13  
CHECKED: DDH 1-29-13  
APPROVED: JAL 1-29-13



FUEL RETURN  
1/2-24 UNS  
FEMALE THREAD

REV	DATE	ON COMPOSITE DWGS. SEE PART NO. FOR REVISION LEVEL	BY	UNLESS OTHERWISE SPECIFIED - 1) DIMENSIONS ARE IN MILLIMETERS 2) TOLERANCES ARE:
B	10-9-17	SEE SHEET 1 OF 2 [CT179950]	AJW	X.XX ± 0.25 X.X ± 1.0 X ± 1.5
C	29APR2020	(D-2,3,4) WEIGHT AND C.O.B. VALUES FOR 55EOZDJ/45EFOZDJ AND 65EOZDJ/55EFOZDJ UPDATED [CT203725]	TKK	ANGLES ± 0° 30' MAX. SURFACE FINISH
D	18APR2024	(D-1,4) WEIGHT AND CG DETAILS TABLE MOVED TO SHEET 1. COB DIMENSION NOTE MOVED TO SHEET 1; (C-4,5) REMOVED 'X CENTER OF BALANCE SEE CHART'; (B-6) CG SYMBOL MOVED TO SHEET 1; SEE SHEET 1 [CT235193]	MGH	THIRD ANGLE PROJECTION
			APPROVALS	DATE
			DRAWN	BTS 1-29-13
			CHECKED	DDH 1-29-13
			APPROVED	JAL 1-29-13

**KOHLER CO.** METRIC PRO-E  
POWER SYSTEMS, KOHLER, WI 53044 U.S.A.  
THIS DRAWING IN DESIGN AND DETAIL IS KOHLER CO.  
PROPERTY AND MUST NOT BE USED EXCEPT IN  
CONNECTION WITH KOHLER CO. WORK. ALL RIGHTS OF  
DESIGN OR INVENTION ARE RESERVED.

TITLE  
**DIMENSION PRINT, 55-65EOZDJ JD MARINE**

SCALE 0.20 CAD NO. SHEET 2 of 2  
DWG NO. **ADV-8501**