

ENGINE WITH KEEL COOLING & SINGLE FUEL/ OIL FILTER

NOTE:
 DIMENSIONS IN [] ARE INCH EQUIVALENTS
 HEAT EXCHANGER WET WEIGHT: 3191KG
 HEAT EXCHANGER DRY WEIGHT: 3119KG
 KEEL COOLED WET WEIGHT: 3086KG
 KEEL COOLED DRY WEIGHT: 3031KG

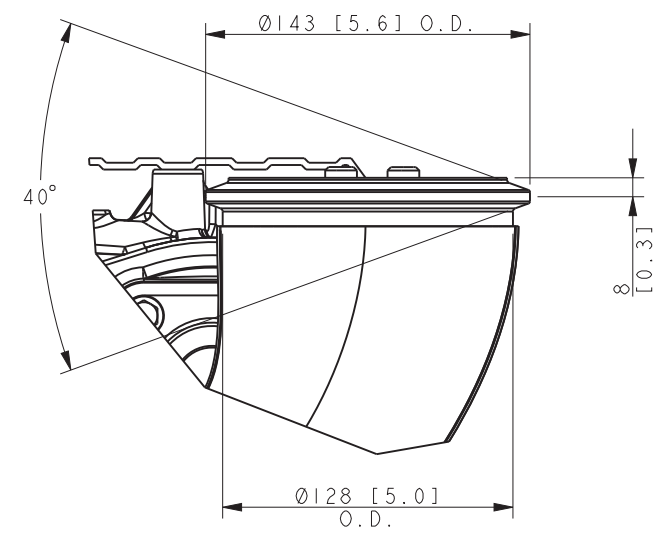
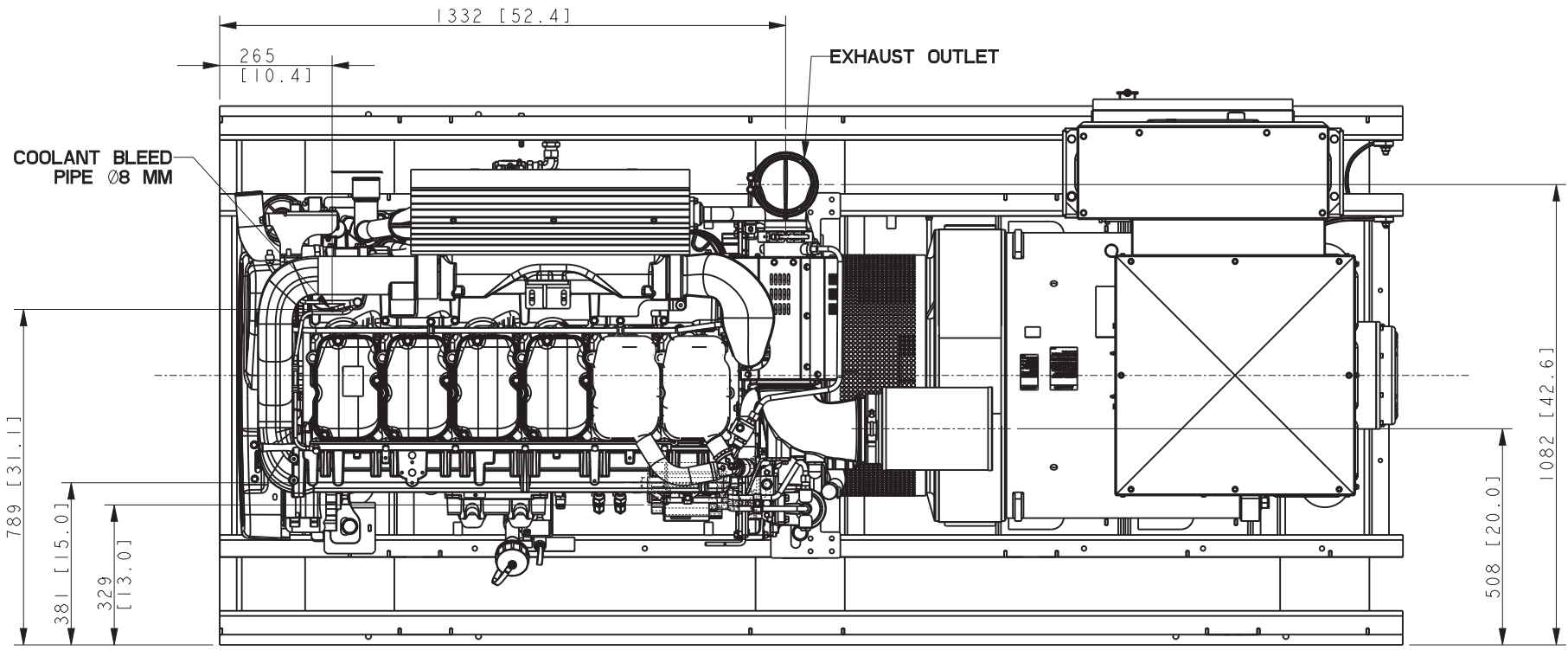
REV	DATE	ON COMPOSITE DWGS, SEE PART NO. FOR REVISION LEVEL	BY	DO NOT SCALE. REFERENCE THE MODEL FOR ALL UNSPECIFIED DIMENSIONS
-	4-27-18	NEW DRAWING [CT192979]	RVM	UNLESS OTHERWISE SPECIFIED: ALL DIMENSIONS IN MILLIMETERS GENERAL TOLERANCES: N/A
A	10-3-19	(B-6) 2004 [78.9] WAS 1954 [76.9] [CT199092]	RVM	
B	07DEC2020	ALL VIEWS UPDATED TO SHOW HEAT EXCHANGER		
		GUARD: (D-2) 1295 [51.0] WAS 1292 [50.9];		THIRD ANGLE PROJECTION
		SEE SHEET 2 & 3 [CT208523]	RVM	
				APPROVALS
				DATE
				DRAWN RVM 4-27-18
				CHECKED DJV 4-27-18
				APPROVED MBA 4-27-18

350 KW
 SCANIA MARINE

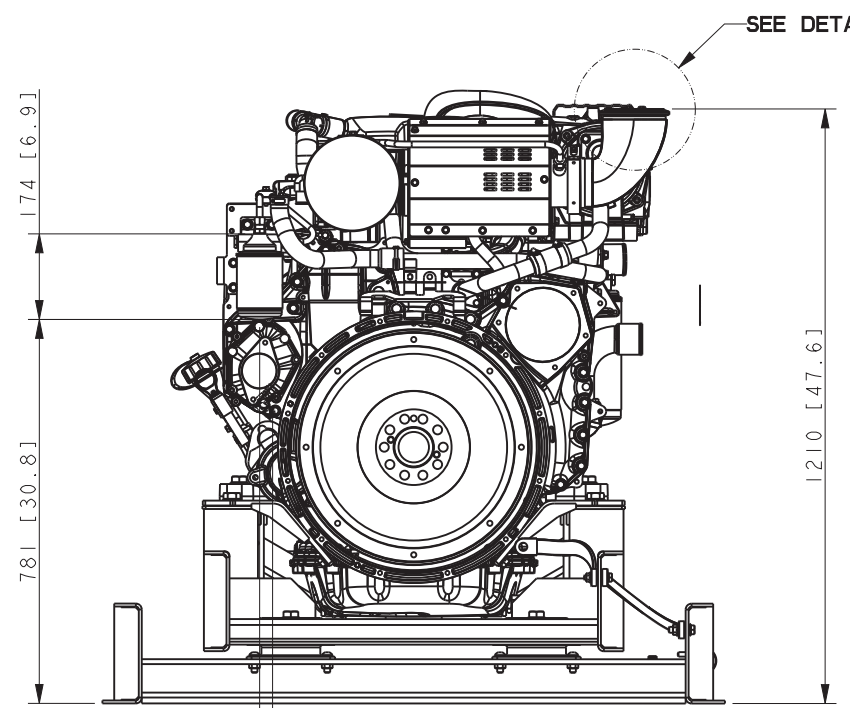
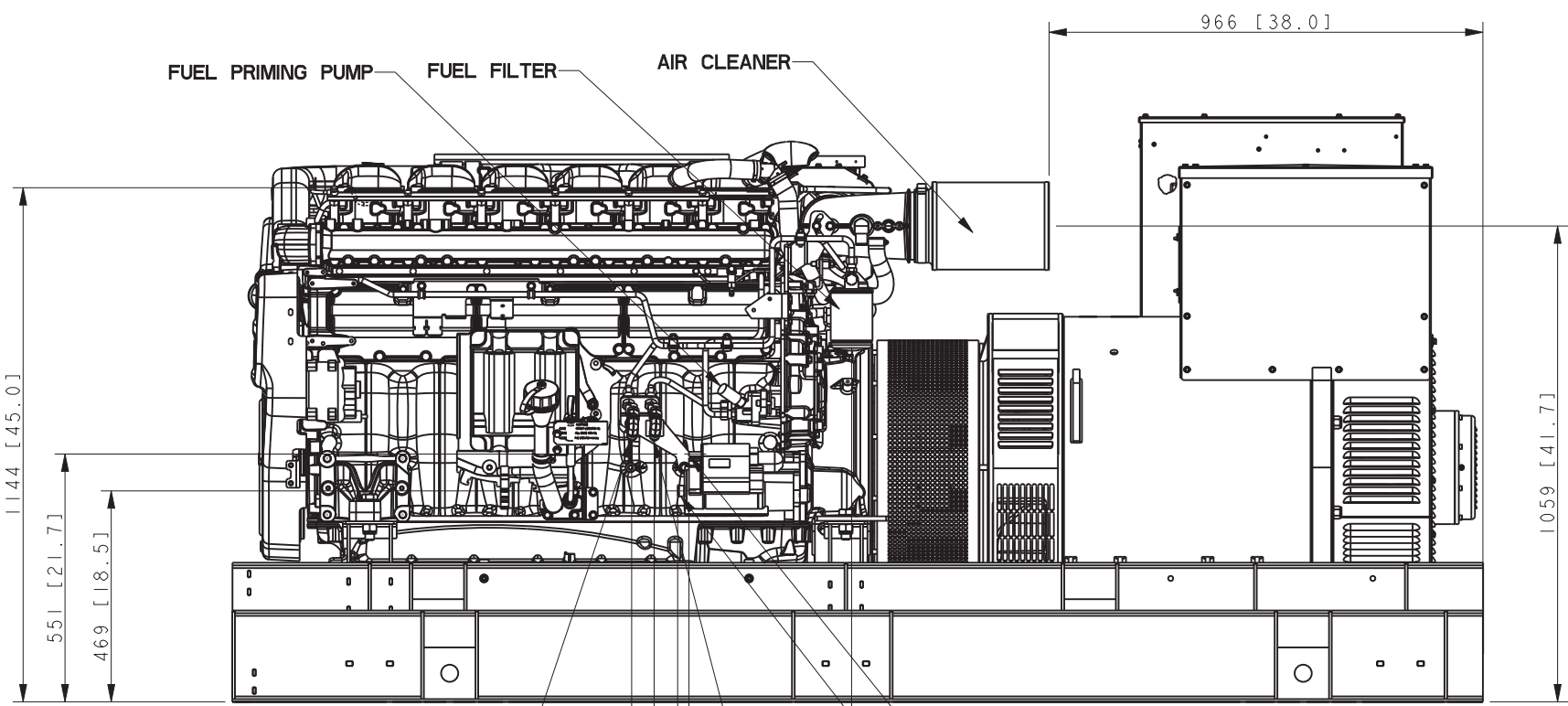
KOHLER
 KOHLER, WISCONSIN 53044
 THIS DRAWING IN DESIGN AND DETAIL IS KOHLER CO. PROPERTY AND MUST NOT BE USED EXCEPT IN CONNECTION WITH KOHLER CO. WORK. ALL RIGHTS OF DESIGN OR INVENTION ARE RESERVED.

TITLE
**DIMENSION PRINT,
 350EOZC/300EFOZC**

SCALE 0.15 CAD NO. SHEET 1 of 3
 DWG NO. **ADV-9073**

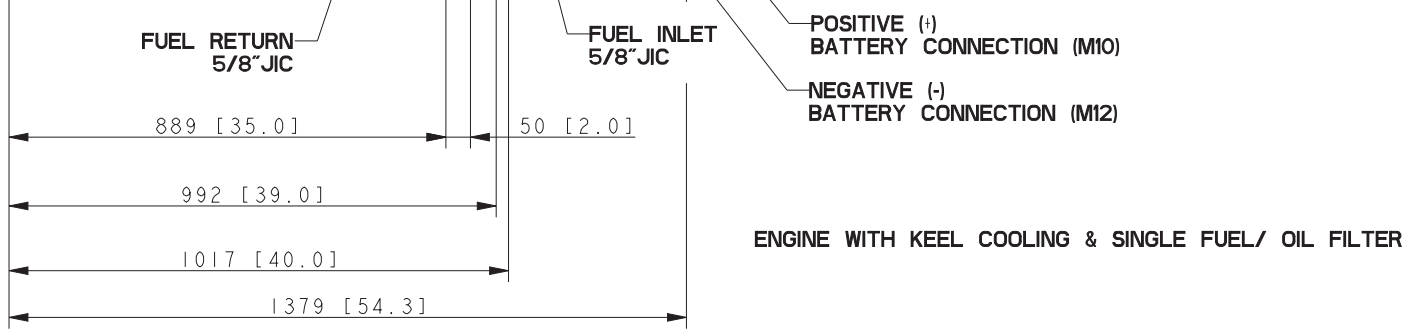


DETAIL A
SCALE 0.60



VIEW WITHOUT POWER BOX & ALTERNATOR

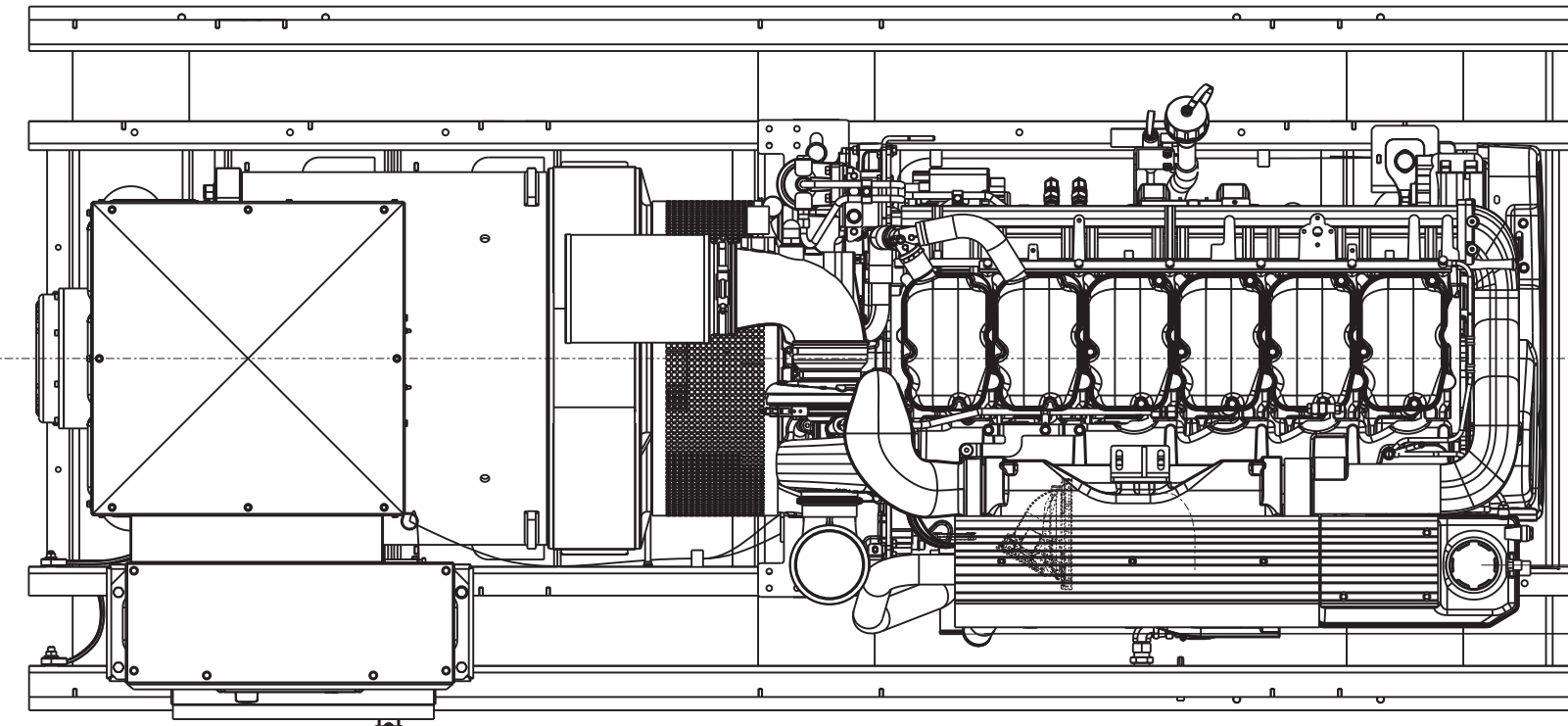
NOTE: DIMENSIONS IN [] ARE INCH EQUIVALENTS



ENGINE WITH KEEL COOLING & SINGLE FUEL/ OIL FILTER

350 KW
SCANIA MARINE

REV	DATE	ON COMPOSITE DWGS, SEE PART NO. FOR REVISION LEVEL	BY	DO NOT SCALE, REFERENCE THE MODEL FOR ALL UNSPECIFIED DIMENSIONS										
-	4-27-18	NEW DRAWING [CT192979]	RVM	UNLESS OTHERWISE SPECIFIED: ALL DIMENSIONS IN MILLIMETERS GENERAL TOLERANCES: N/A										
A	10-3-19	SEE SHEET 1 [CT199092]	RVM											
B	07DEC2020	ALL VIEWS UPDATED TO SHOW HEAT EXCHANGER GUARD; SEE SHEET 1 & 3 [CT208523]	RVM											
<table border="1"> <thead> <tr> <th colspan="2">THIRD ANGLE PROJECTION</th> </tr> <tr> <th>APPROVALS</th> <th>DATE</th> </tr> </thead> <tbody> <tr> <td>DRAWN RVM</td> <td>4-27-18</td> </tr> <tr> <td>CHECKED DJV</td> <td>4-27-18</td> </tr> <tr> <td>APPROVED MBA</td> <td>4-27-18</td> </tr> </tbody> </table>					THIRD ANGLE PROJECTION		APPROVALS	DATE	DRAWN RVM	4-27-18	CHECKED DJV	4-27-18	APPROVED MBA	4-27-18
THIRD ANGLE PROJECTION														
APPROVALS	DATE													
DRAWN RVM	4-27-18													
CHECKED DJV	4-27-18													
APPROVED MBA	4-27-18													
<p>KOHLER KOHLER, WISCONSIN 53044 THIS DRAWING IN DESIGN AND DETAIL IS KOHLER CO. PROPERTY AND MUST NOT BE USED EXCEPT IN CONNECTION WITH KOHLER CO. WORK. ALL RIGHTS OF DESIGN OR INVENTION ARE RESERVED.</p> <p>TITLE: DIMENSION PRINT, 350EOZC/300EFOZC</p> <p>SCALE 0.13 CAD NO. SHEET 2 of 3</p> <p>DWG NO. ADV-9073</p>				D										



2602 [102.4]

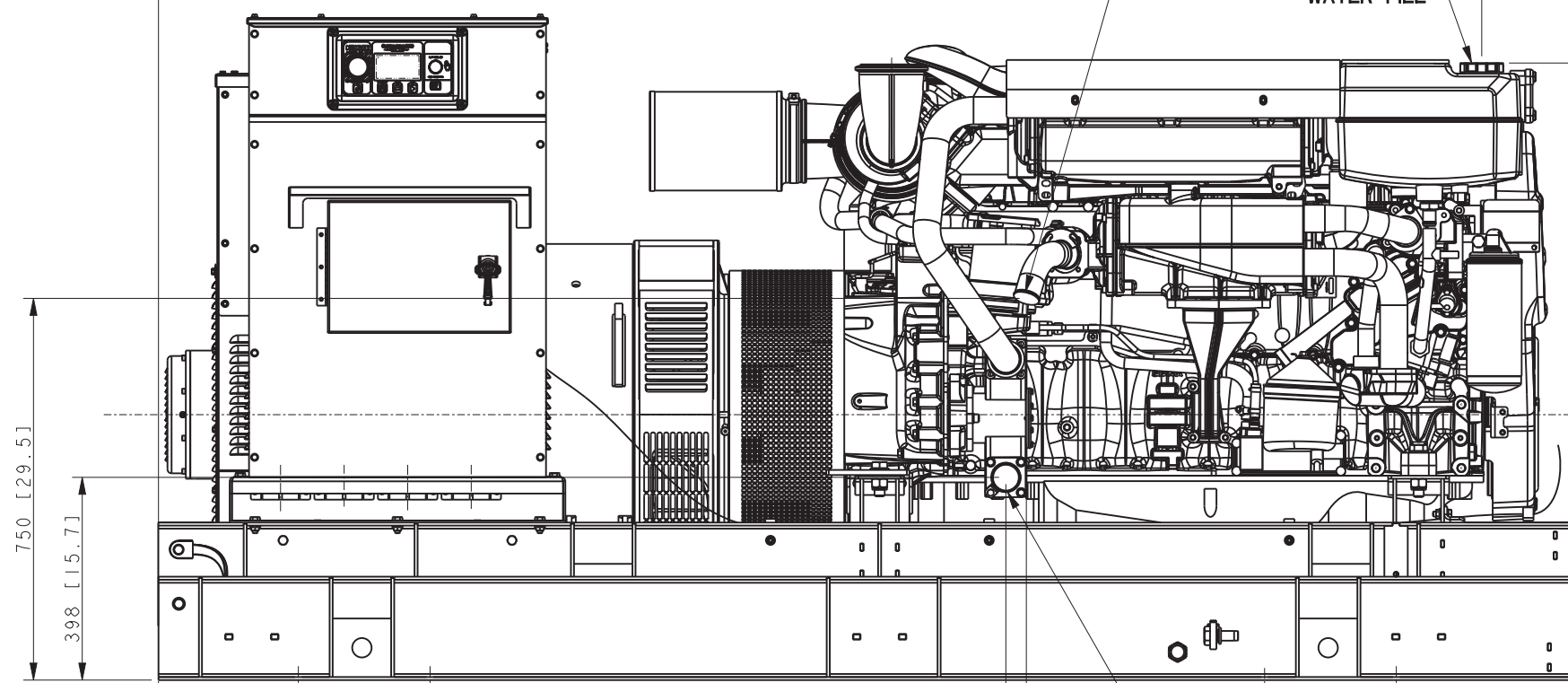
SEA WATER OUTLET
Ø51 MM

WATER FILL

137 [5.4]
SEA WATER INLET

139 [5.5]
SEA WATER OUTLET

261 [10.3]



750 [29.5]
398 [15.7]

1213 [47.7]

1666 [65.6]

1707 [67.2]

SEA WATER INLET
Ø50 MM

ENGINE WITH HEAT EXCHANGER & SINGLE FUEL/ OIL FILTER

350 KW
SCANIA MARINE

NOTE:
DIMENSIONS IN [] ARE INCH EQUIVALENTS

REV	DATE	ON COMPOSITE DWGS, SEE PART NO. FOR REVISION LEVEL	BY	DO NOT SCALE, REFERENCE THE MODEL FOR ALL UNSPECIFIED DIMENSIONS
-	11-20-18	NEW DRAWING [CT192979]	RVM	UNLESS OTHERWISE SPECIFIED: ALL DIMENSIONS IN MILLIMETERS GENERAL TOLERANCES: N/A
A	10-3-19	SEE SHEET 1 [CT199092]	RVM	
B	07DEC2020	(C-4) 139 [5.5] WAS 181 [7.1]; (A-8) 750 [29.5] WAS 837 [33.0]; (A-7) 1707 [67.2] WAS 1633 [64.3]; ALL VIEWS UPDATED TO SHOW HEAT EXCHANGER GUARD; SEE SHEET 1 & 2 [CT208523]	RVM	

THIRD ANGLE PROJECTION	
APPROVALS	DATE
DRAWN RVM	11-20-18
CHECKED DJV	11-20-18
APPROVED MBA	11-20-18

KOHLER.
KOHLER, WISCONSIN 53044
THIS DRAWING IN DESIGN AND DETAIL IS KOHLER CO. PROPERTY AND MUST NOT BE USED EXCEPT IN CONNECTION WITH KOHLER CO. WORK. ALL RIGHTS OF DESIGN OR INVENTION ARE RESERVED.

TITLE
**DIMENSION PRINT,
350EOZC/300EFOZC**

SCALE 0.15 | CAD NO. | SHEET 3 of 3
DWG NO. **ADV-9073** | **D**