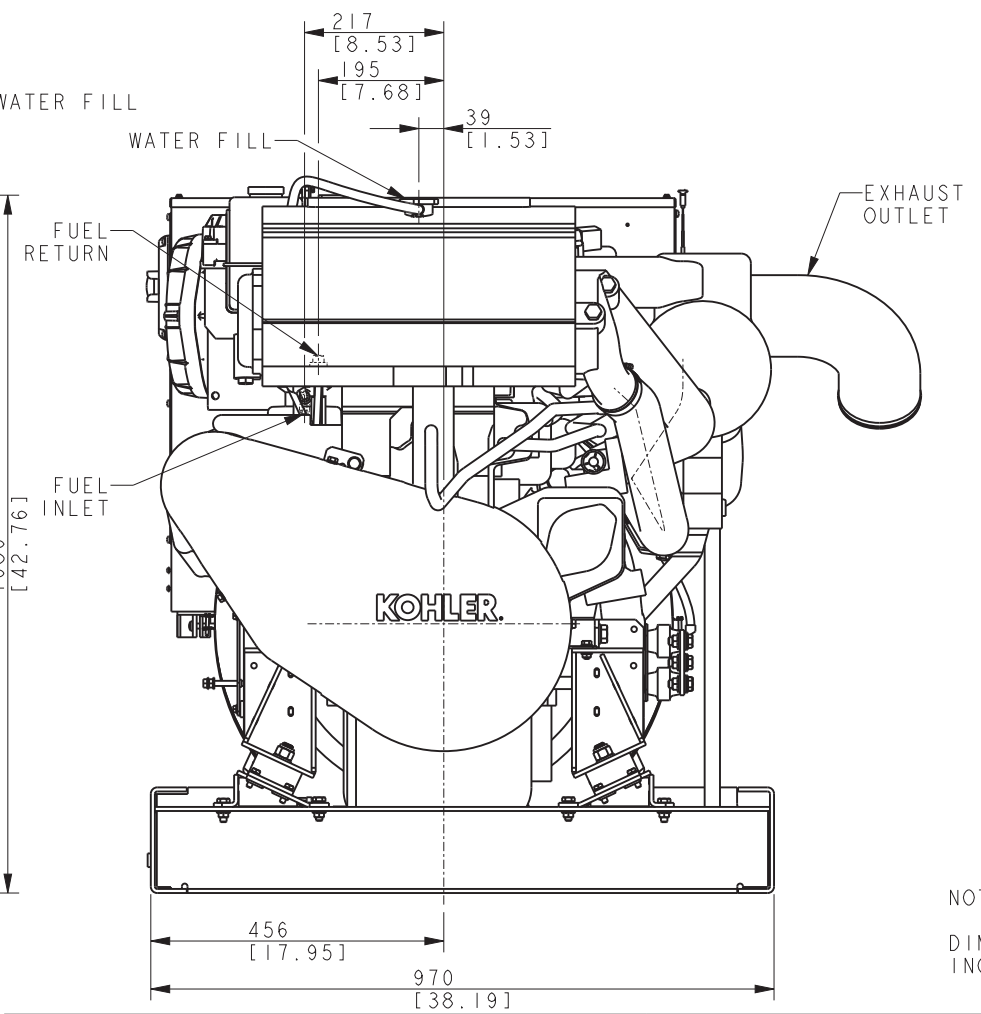
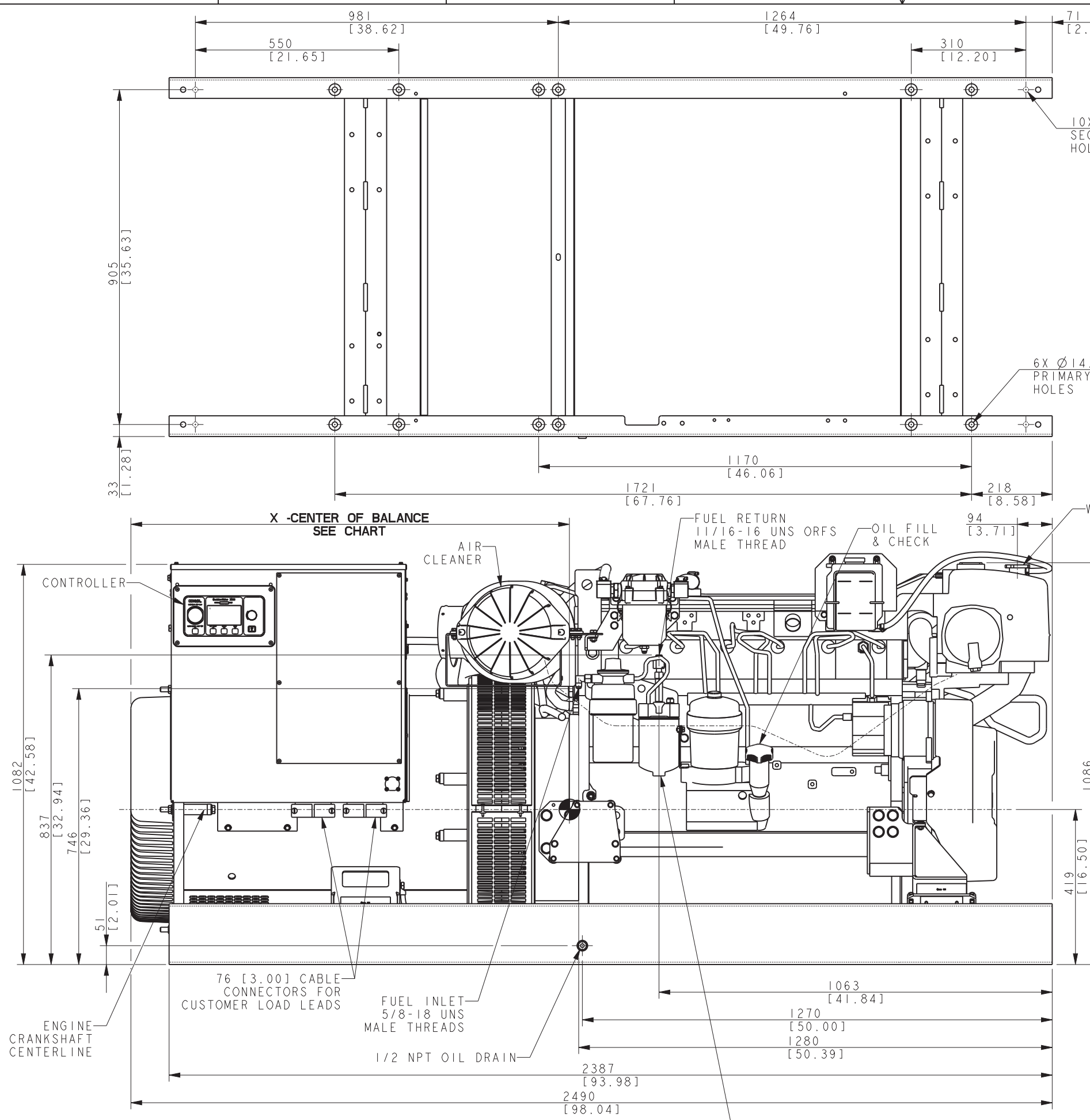


MODEL	WEIGHT		CENTER OF BALANCE (DIMENSION X)
	WET -KG [LBS]	DRY - KG [LBS]	MM [IN]
200EOZDJ/175EFOZDJ	2067 [4558]	2006 [4422]	1102 [43.4]

NOTE
CENTER OF BALANCE DIMENSION IS TAKEN FROM REAR OF ALTERNATOR END BRACKET.



NOTE:
DIMENSIONS IN [] ARE INCH EQUIVALENTS.

REV	DATE	ON COMPOSITE DWGS. SEE PART NO. FOR REVISION LEVEL	BY
-	10-17-14	NEW DRAWING [CT101342]	DDH
A	22APR2024	(D-1,3) WEIGHT & COB DETAILS TABLE UPDATED; (A-8) ENGINE CSCL NOTE ADDED; (B-4) 419[16.50] ADDED; (B-6) CG SYMBOL POSITION ADJUSTED; (B-6,8) X-COB DIM. LOCATION ADJUSTED TO ALTERNATOR END BRACKET [CT235193]	MGH

KOHLER CO. METRIC PRO-E

POWER SYSTEMS, KOHLER, WI 53044 U.S.A.
THIS DRAWING IN DESIGN AND DETAIL IS KOHLER CO. PROPERTY AND MUST NOT BE USED EXCEPT IN CONNECTION WITH KOHLER CO. WORK. ALL RIGHTS OF DESIGN OR INVENTION ARE RESERVED.

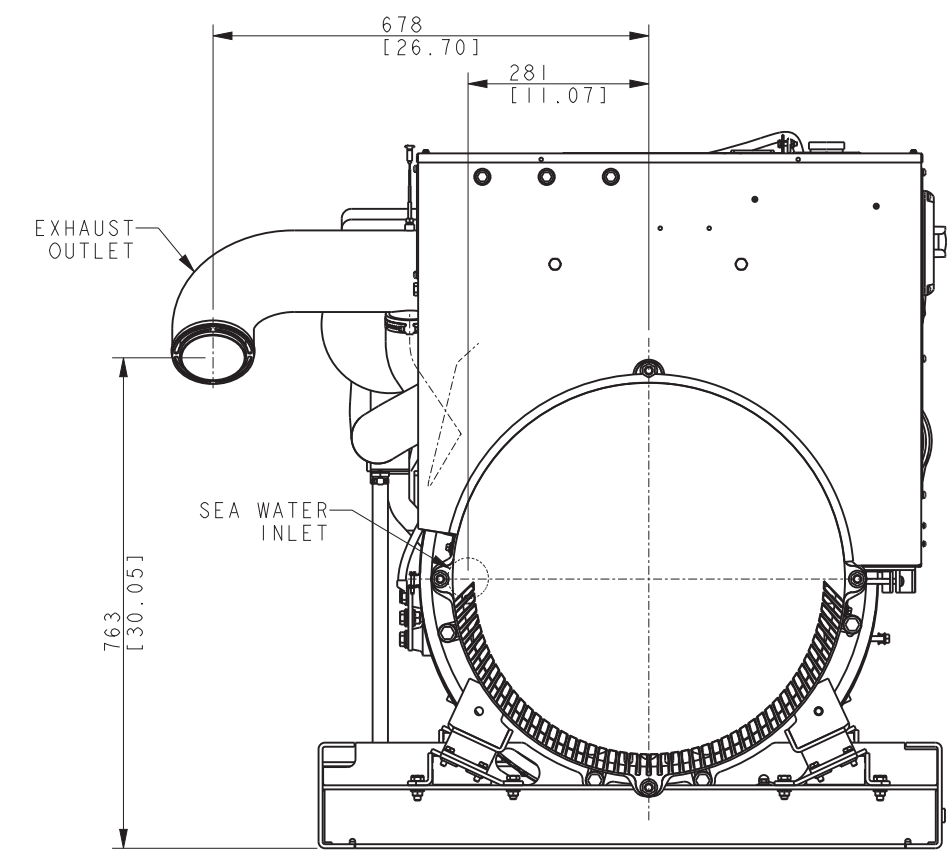
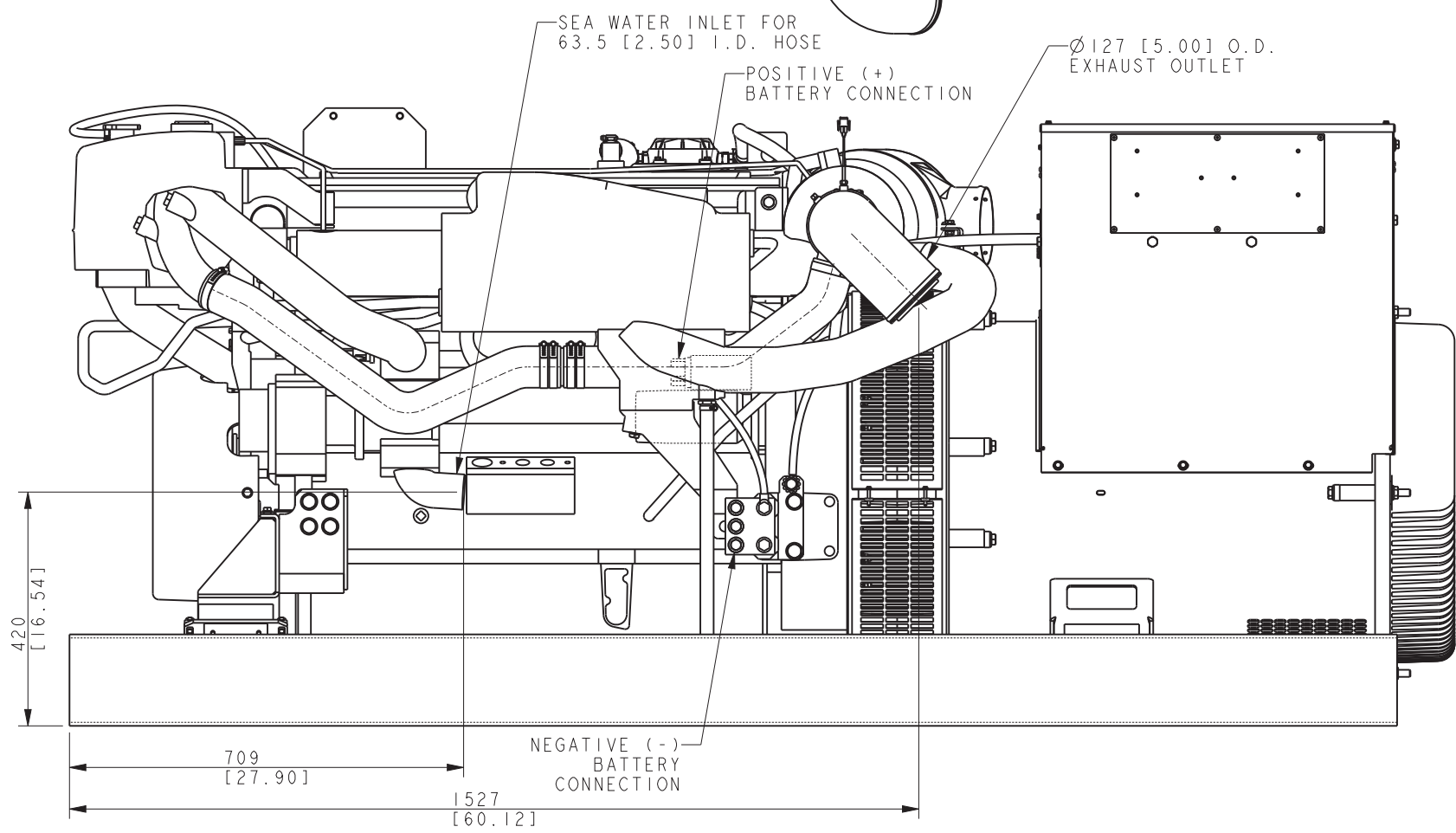
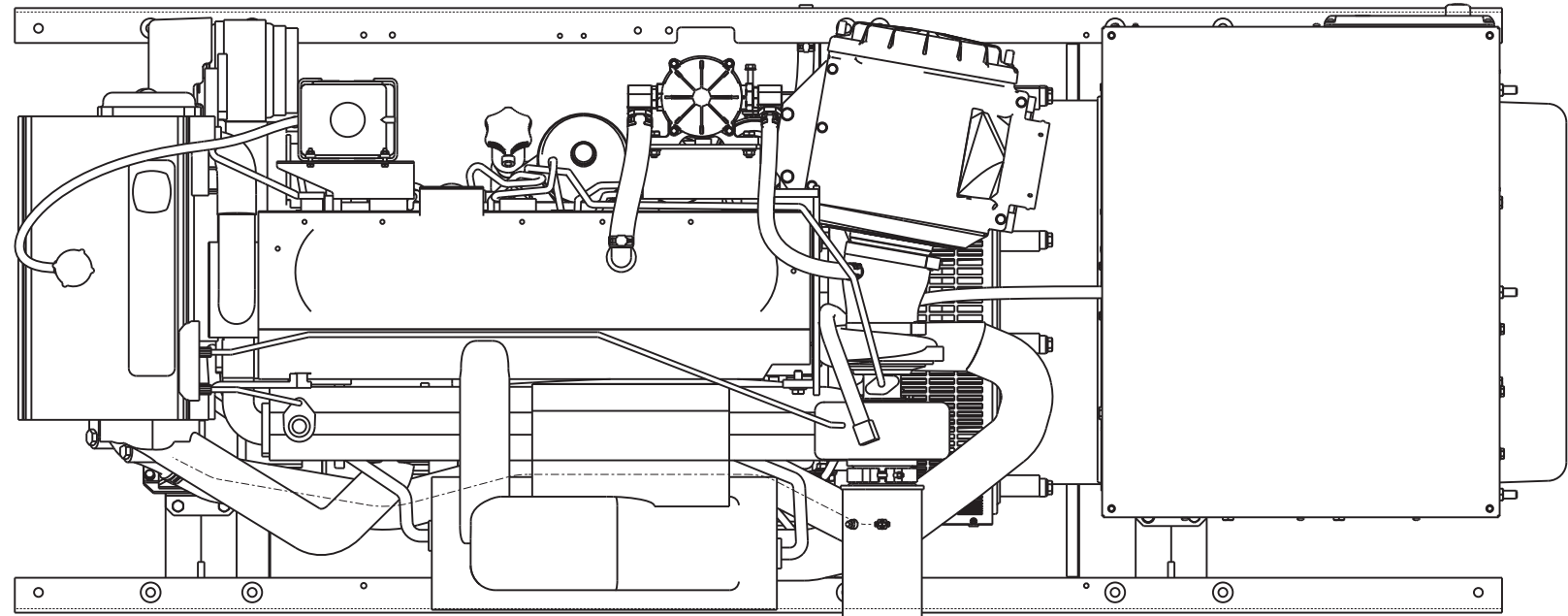
TITLE: **DIMENSION PRINT, 200EOZDJ JD MARINE**

SCALE: 0.17 CAD NO. SHEET 1 of 2

DWG NO. **ADV-8747**

APPROVALS: APPROVED TLW 10-17-14

TIER III
200EOZDJ/175EFOZDJ
JOHN DEERE MARINE



REV	DATE	ON COMPOSITE DWGS. SEE PART NO. FOR REVISION LEVEL	BY	UNLESS OTHERWISE SPECIFIED - 1) DIMENSIONS ARE IN MILLIMETERS 2) TOLERANCES ARE:	KOHLER CO. METRIC PRO-E POWER SYSTEMS, KOHLER, WI 53044 U.S.A. THIS DRAWING IN DESIGN AND DETAIL IS KOHLER CO. PROPERTY AND MUST NOT BE USED EXCEPT IN CONNECTION WITH KOHLER CO. WORK. ALL RIGHTS OF DESIGN OR INVENTION ARE RESERVED.
-	10-17-14	NEW DRAWING [CT101342]	DDH	X.XX ±	
A	22APR2024	SEE SHEET 1 [CT235193]	MGH	X.X ±	SURFACE FINISH MAX.
				ANGLES ±	
				THIRD ANGLE PROJECTION	TITLE
				APPROVALS	DATE
				DRAWN	DDH 10-17-14
				CHECKED	DDH 10-17-14
				APPROVED	TLW 10-17-14
				SCALE 0.17	CAD NO.
				DWG NO.	SHEET 2 of 2
				ADV-8747	D