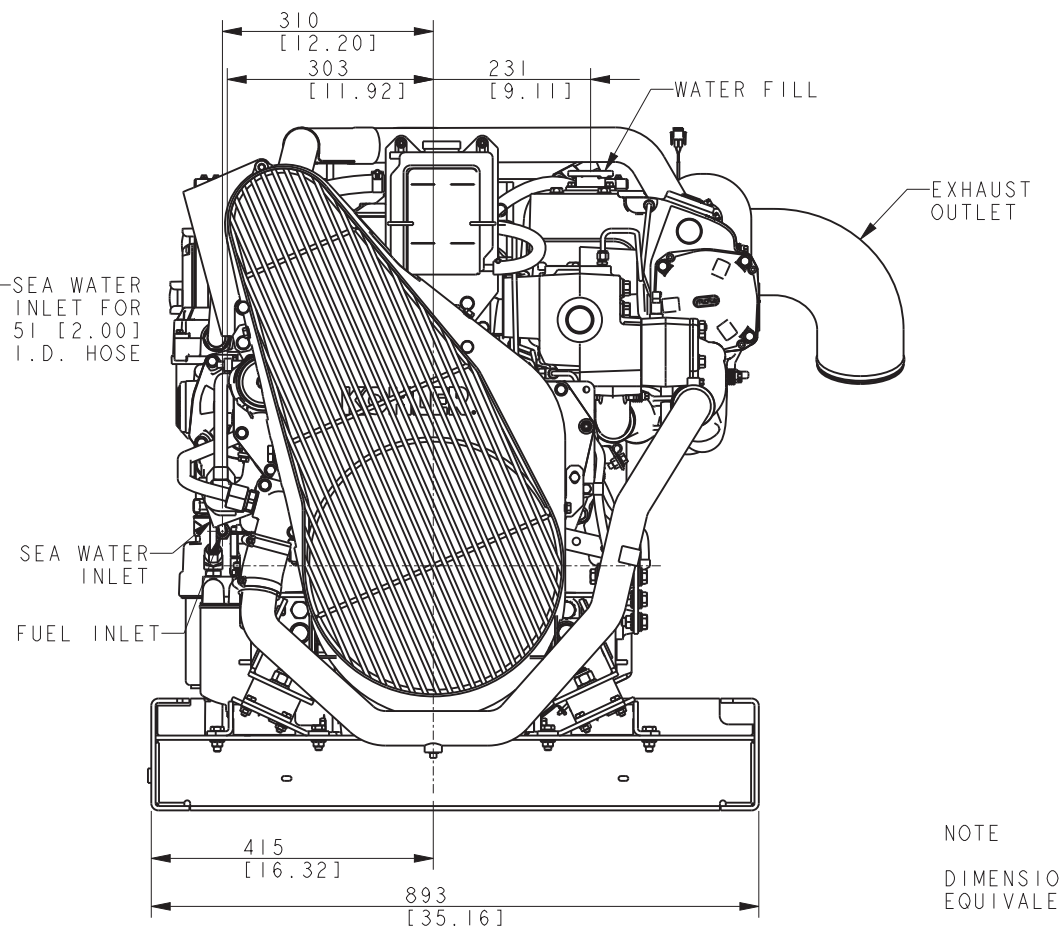
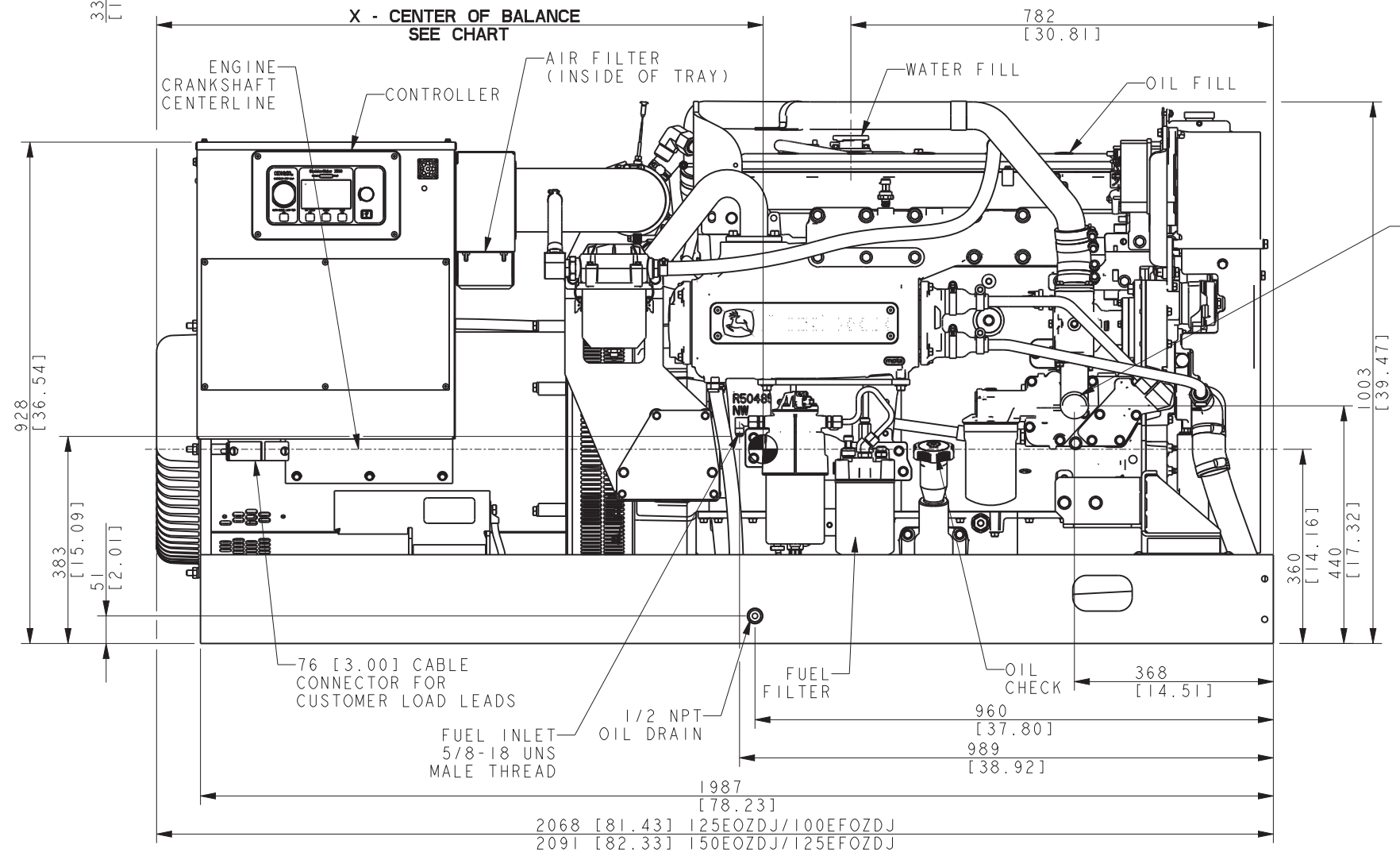


MODEL	WEIGHT		CENTER OF BALANCE (DIMENSION X)
	WET -KG [LBS]	DRY - KG [LBS]	MM [IN]
125EOZDJ/100EFOZDJ	1495 [3295]	1458 [3215]	1026 [40.4]
150EOZDJ/125EFOZDJ	1530 [3374]	1494 [3294]	1040 [40.9]

NOTE
CENTER OF BALANCE DIMENSION IS TAKEN FROM REAR OF ALTERNATOR END BRACKET.



NOTE
DIMENSIONS IN [] ARE INCH EQUIVALENTS.

TIER III
125EOZDJ/100EFOZDJ
150EOZDJ/125EFOZDJ
JOHN DEERE MARINE

REV	DATE	ON COMPOSITE DWGS. SEE PART NO. FOR REVISION LEVEL	BY
-	1-8-14	NEW DRAWING [CT67146]	DDH
A	10-9-17	(D-8) PRIMARY WAS SECONDARY. (C-4) SECONDARY WAS PRIMARY [CT179950]	AJW
B	08APR2024	(D-1,3) UPDATED WEIGHT AND C.O.B VALUE TABLE; (C-7,8) ENGINE CSCL NOTE ADDED; (B-4) 440 WAS 436; (A-5) 368 WAS 313; (B-4) ADDED DIM. 360; SEE SHEET 2 [CT235193]	MGH

UNLESS OTHERWISE SPECIFIED -
1) DIMENSIONS ARE IN MILLIMETERS
2) TOLERANCES ARE:
X.XX ±
X.X ±
X ±
ANGLES ±

THIRD ANGLE PROJECTION

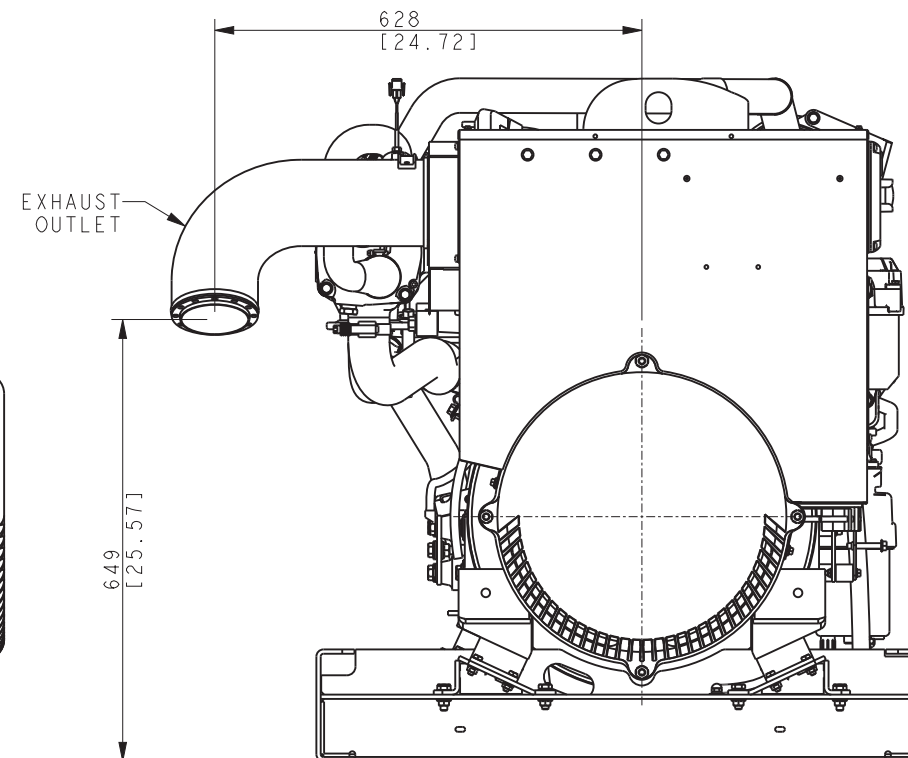
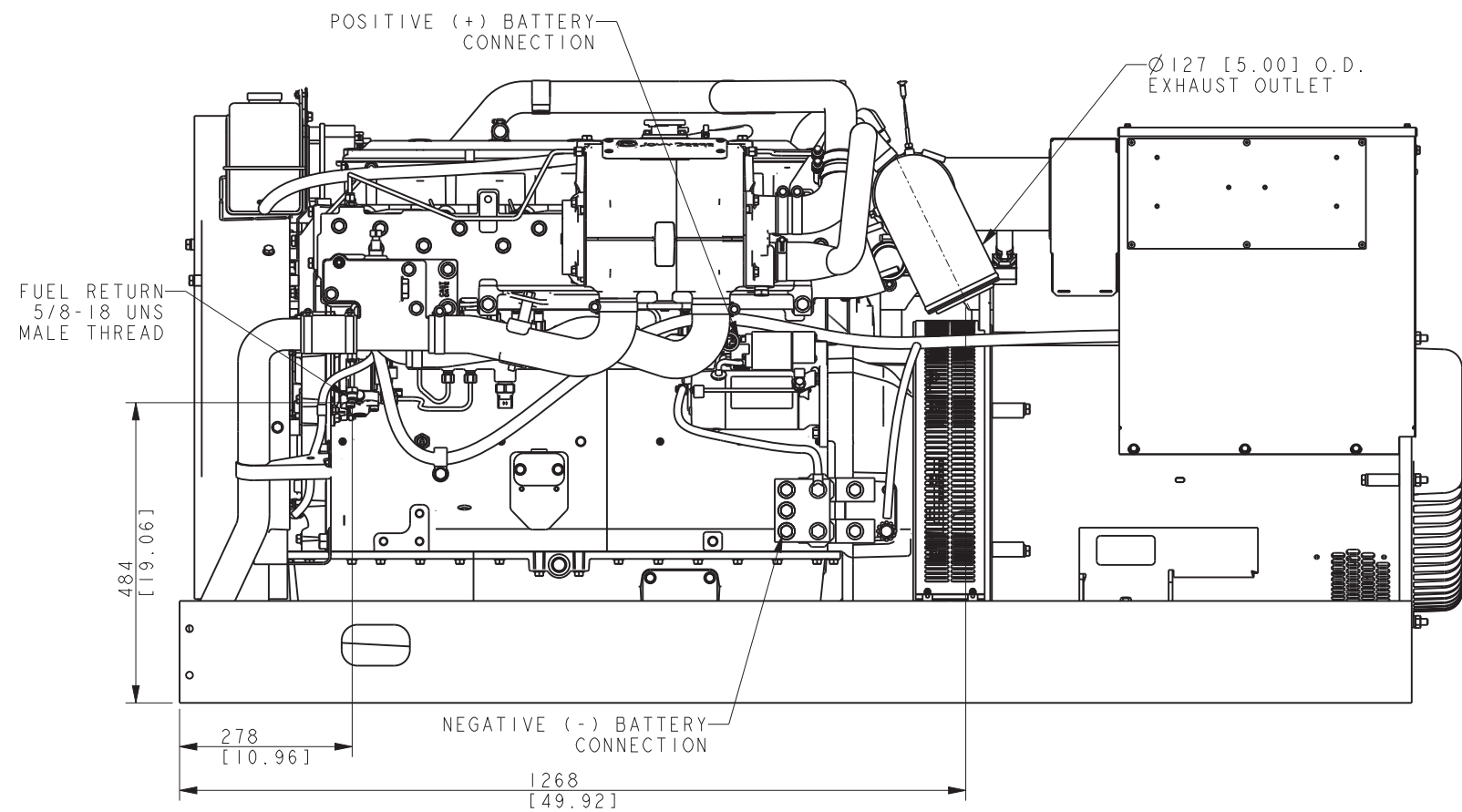
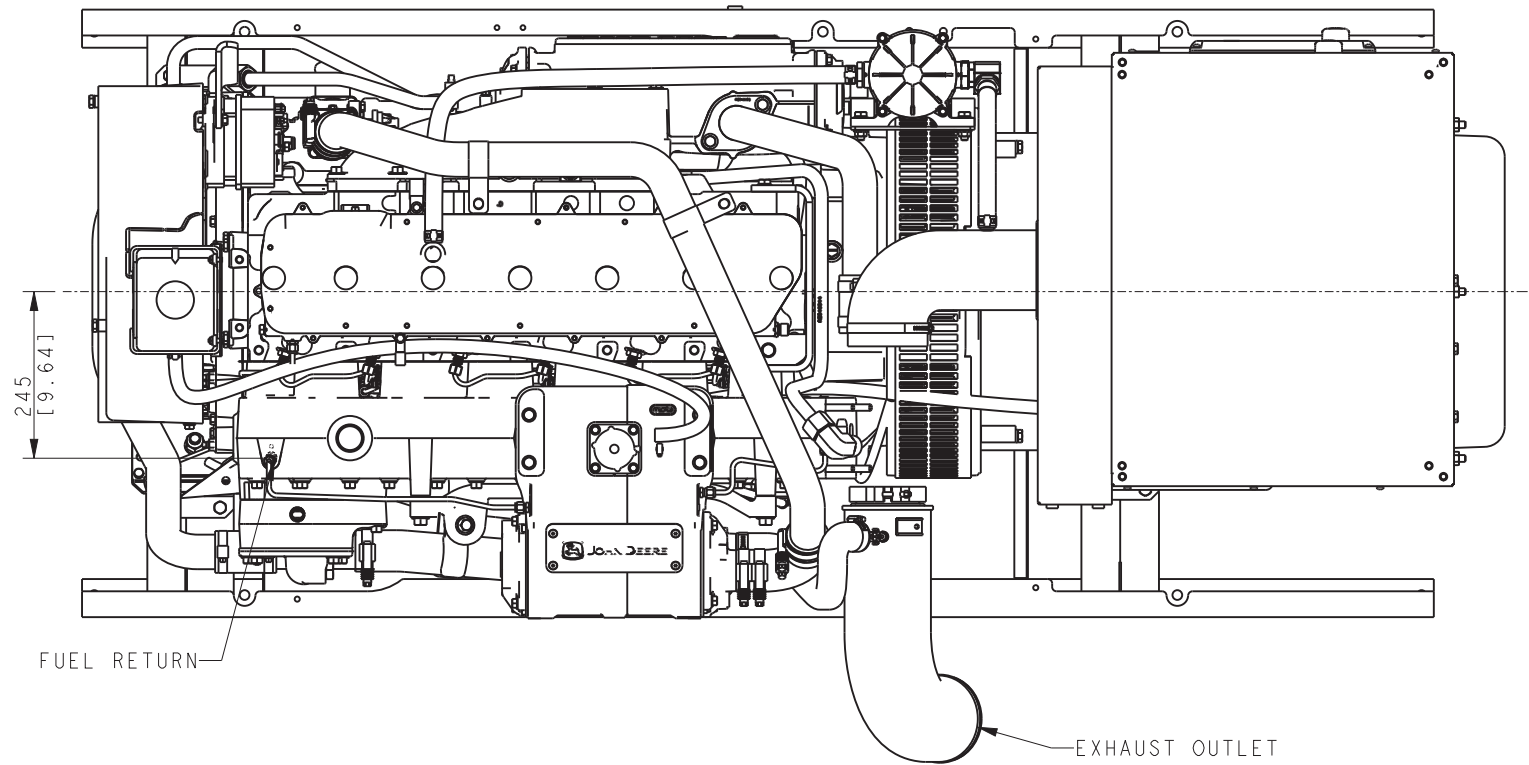
APPROVALS

APPROVALS	DATE
DDH	1-8-14
DDH	1-8-14
TLW	1-8-14

KOHLER CO. METRIC PRO-E
POWER SYSTEMS, KOHLER, WI 53044 U.S.A.
THIS DRAWING IN DESIGN AND DETAIL IS KOHLER CO. PROPERTY AND MUST NOT BE USED EXCEPT IN CONNECTION WITH KOHLER CO. WORK. ALL RIGHTS OF DESIGN OR INVENTION ARE RESERVED.

TITLE
DIMENSION PRINT, 125-150EOZDJ JD MARINE

SCALE 0.18 CAD NO. SHEET 1 of 2
DWG NO. **ADV-8508**



REV	DATE	ON COMPOSITE DWGS. SEE PART NO. FOR REVISION LEVEL	BY	UNLESS OTHERWISE SPECIFIED - 1) DIMENSIONS ARE IN MILLIMETERS 2) TOLERANCES ARE:
-	1-8-14	NEW DRAWING [CT67146]	DDH	X.XX ±
A	10-9-17	SEE SHEET 1 OF 2 [CT179950]	AJW	X.X ±
B	08APR2024	(A-8) 484 WAS 490; SEE SHEET 1 [CT235193]	MGH	X ° ±
				ANGLES ±

KOHLER CO. METRIC PRO-E
 POWER SYSTEMS, KOHLER, WI 53044 U.S.A.
 THIS DRAWING IN DESIGN AND DETAIL IS KOHLER CO. PROPERTY AND MUST NOT BE USED EXCEPT IN CONNECTION WITH KOHLER CO. WORK. ALL RIGHTS OF DESIGN OR INVENTION ARE RESERVED.

TITLE: **DIMENSION PRINT, 125-150EOZDJ JD MARINE**

SCALE: 0.18 CAD NO. SHEET 2 of 2
 DWG NO. **ADV-8508** D

APPROVALS	DATE
DRAWN DDH	1-8-14
CHECKED DDH	1-8-14
APPROVED TLW	1-8-14

