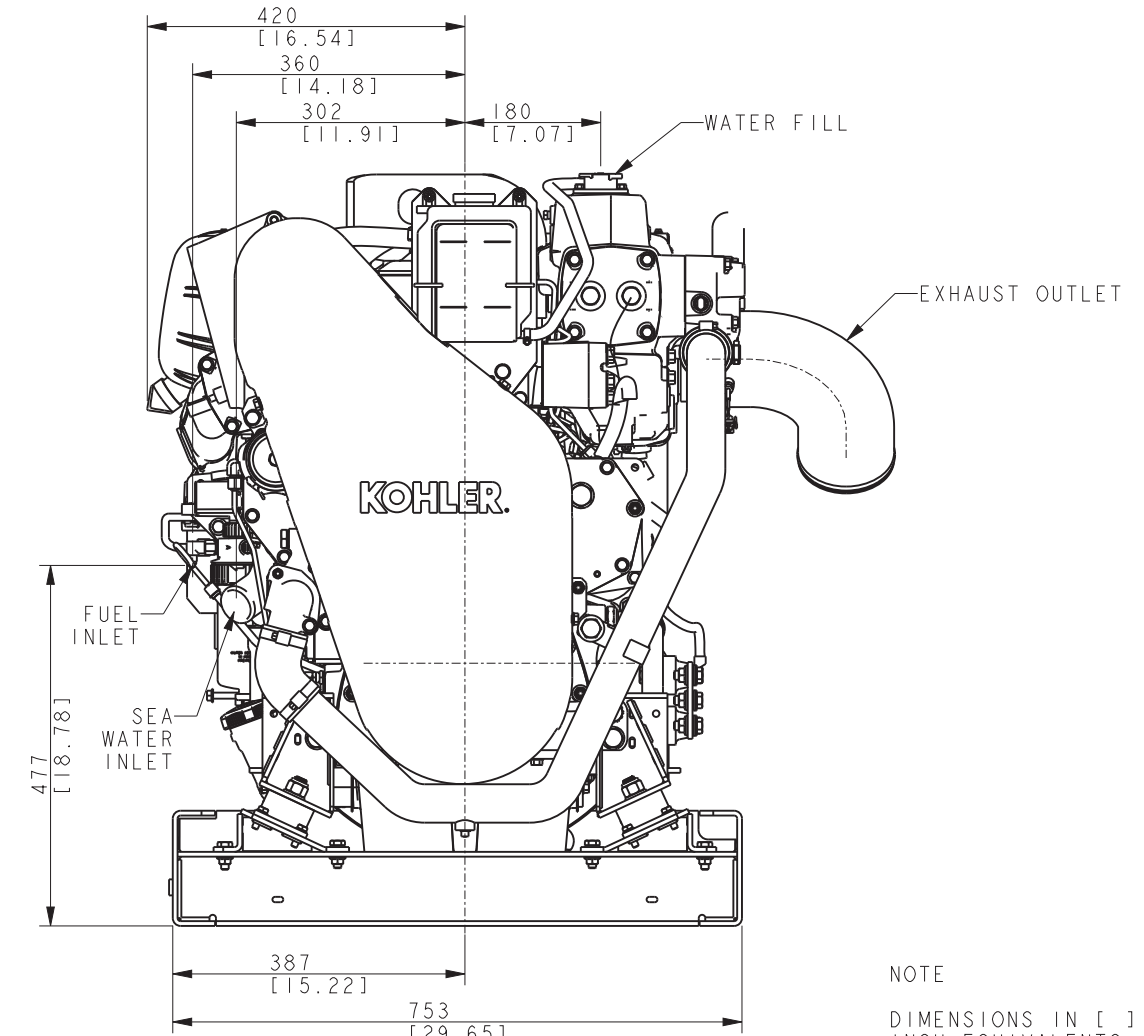
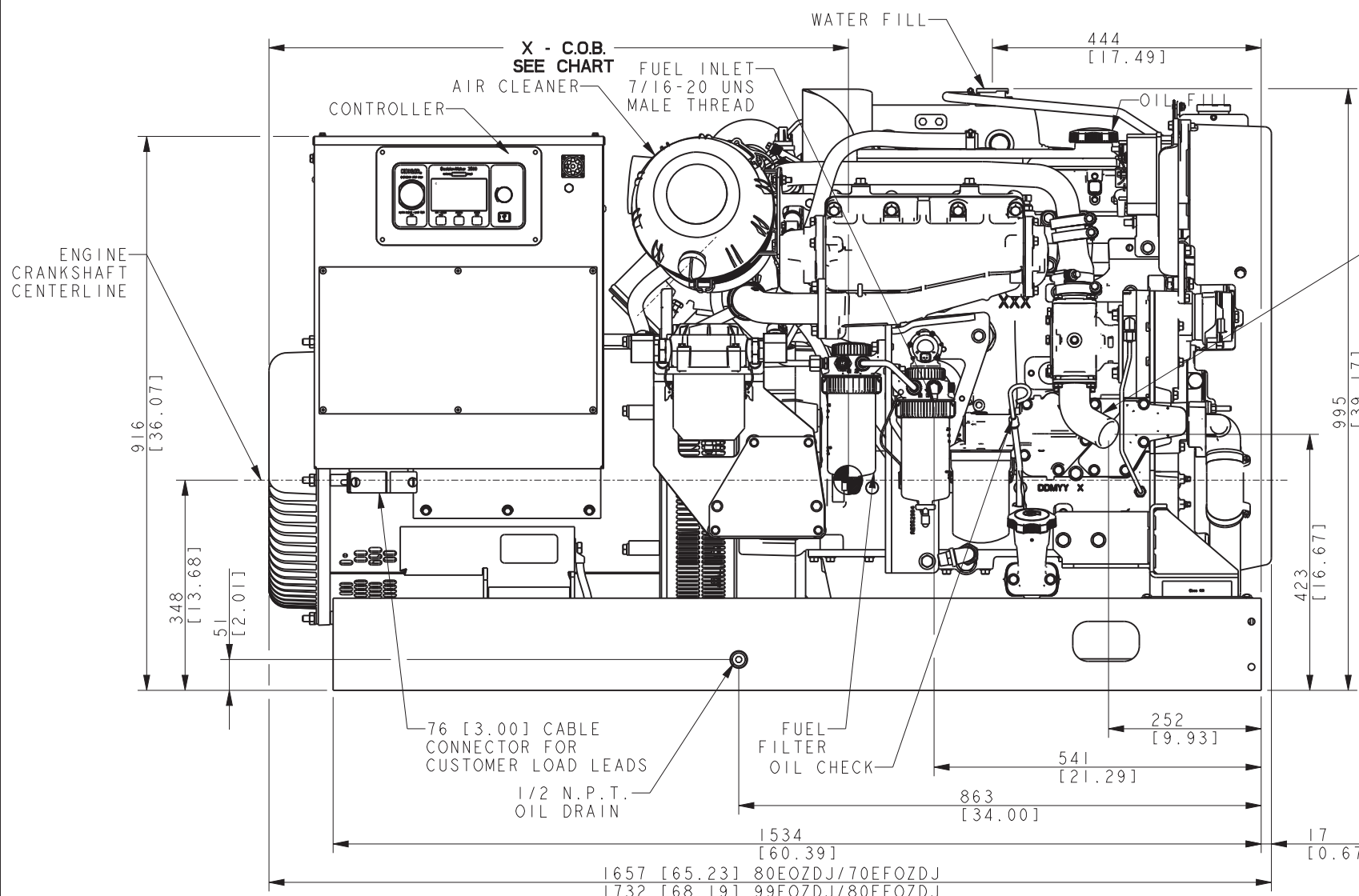
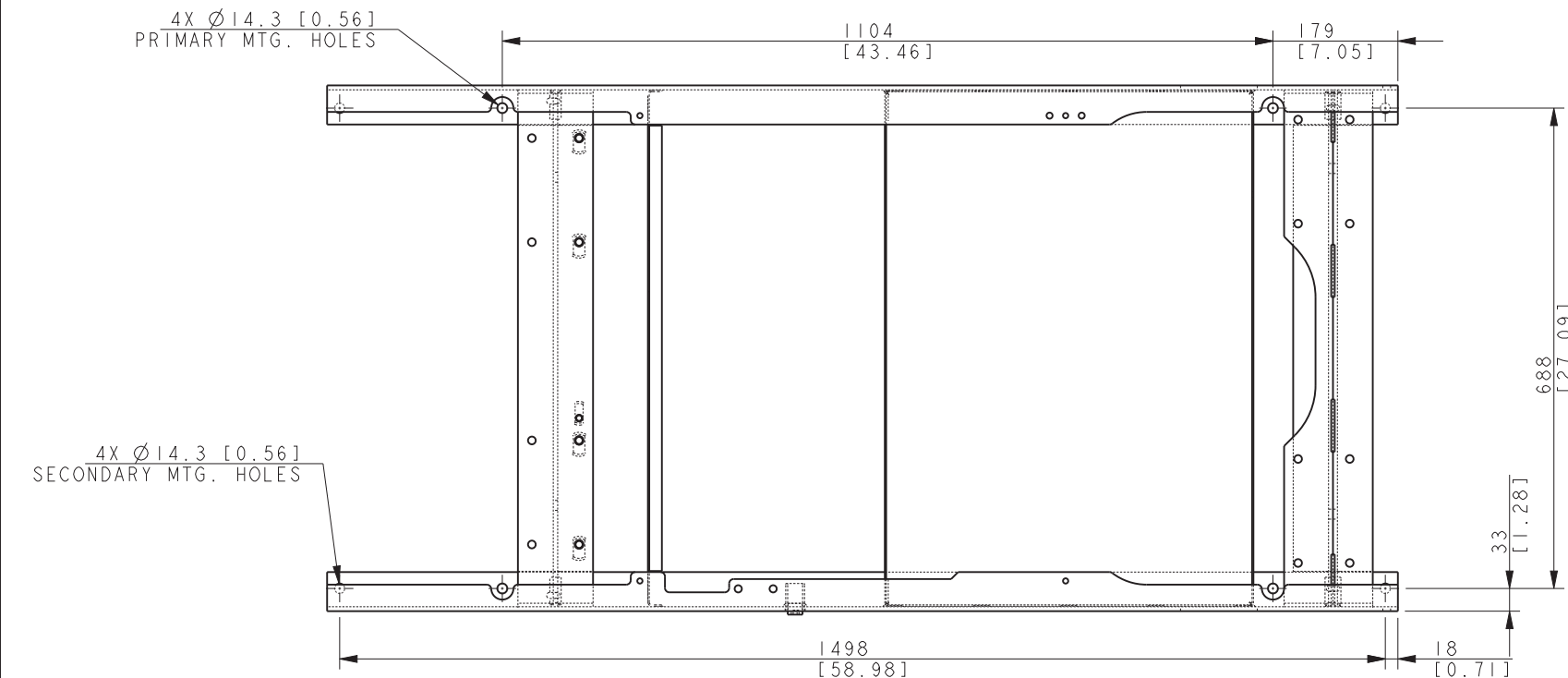


MODEL	WEIGHT		C.O.B. (DIM "X")
	WET -KG [LBS]	DRY - KG [LBS]	MM [IN]
80EOZDJ/70EFOZDJ	1127 [2485]	1091 [2405]	873 [34.40]
99EOZDJ/80EFOZDJ	1222 [2695]	1186 [2615]	911 [35.85]

NOTE:
CENTER OF BALANCE DIMENSION IS TAKEN FROM REAR
OF ALTERNATOR END BRACKET.



NOTE
DIMENSIONS IN [] ARE
INCH EQUIVALENTS.

TIER III
80EOZDJ/70EFOZDJ
99EOZDJ/80EFOZDJ
JOHN DEERE MARINE

REV	DATE	ON COMPOSITE DWGS. SEE PART NO. FOR REVISION LEVEL	BY	UNLESS OTHERWISE SPECIFIED - 1) DIMENSIONS ARE IN MILLIMETERS 2) TOLERANCES ARE:
C	10-9-17	(D-7) PRIMARY WAS SECONDARY. (C-8) SECONDARY WAS PRIMARY [CT179950]	AJW	X.XX ± X.X ± ANGLES ±
D	30APR2020	(D-1,2,3) WEIGHT AND C.O.B. VALUES UPDATED; (B-4) 995 WAS 999, 423 WAS 424 [CT203725]	TKK	THIRD ANGLE PROJECTION
E	15APR2024	(D-2) 1222[2695] WAS 1223[2695]; (B-8)ENGINE CSCL NOTE ADDED; (C-7) X-C.O.B LEADER LINE UPDATED;(A-8) DIM. 348[13.68] ADDED;(B-6) CG SYMBOL MOVED TO CSCL [CT235193]	MGH	APPROVALS DATE
				DRAWN BTS 1-17-13
				CHECKED DDH 1-17-13
				APPROVED JAL 1-17-13

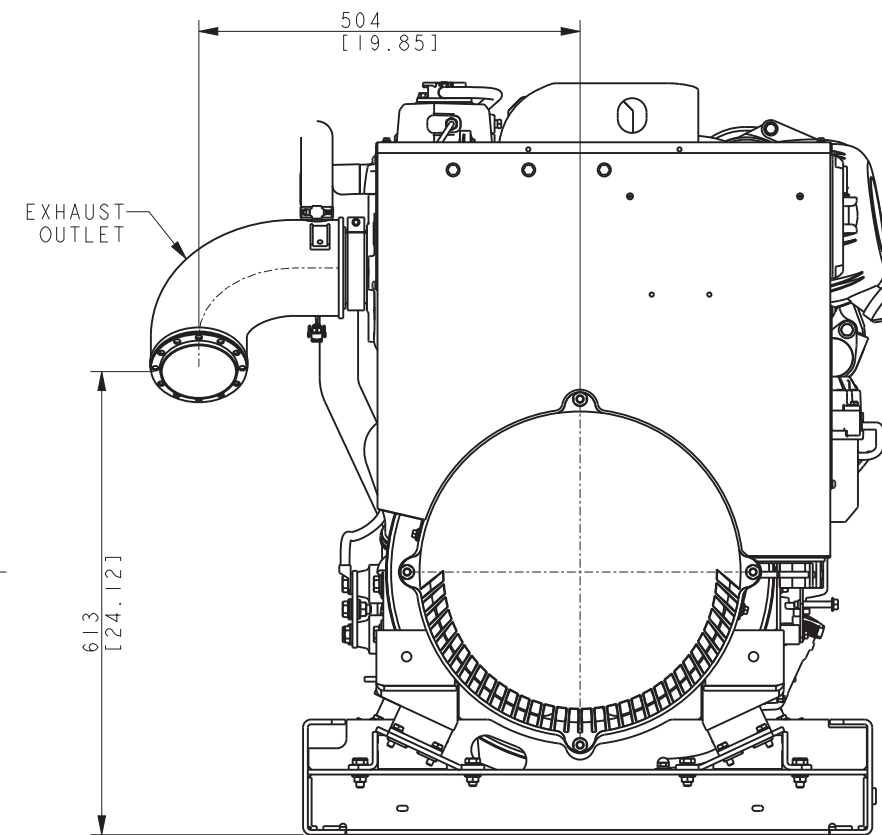
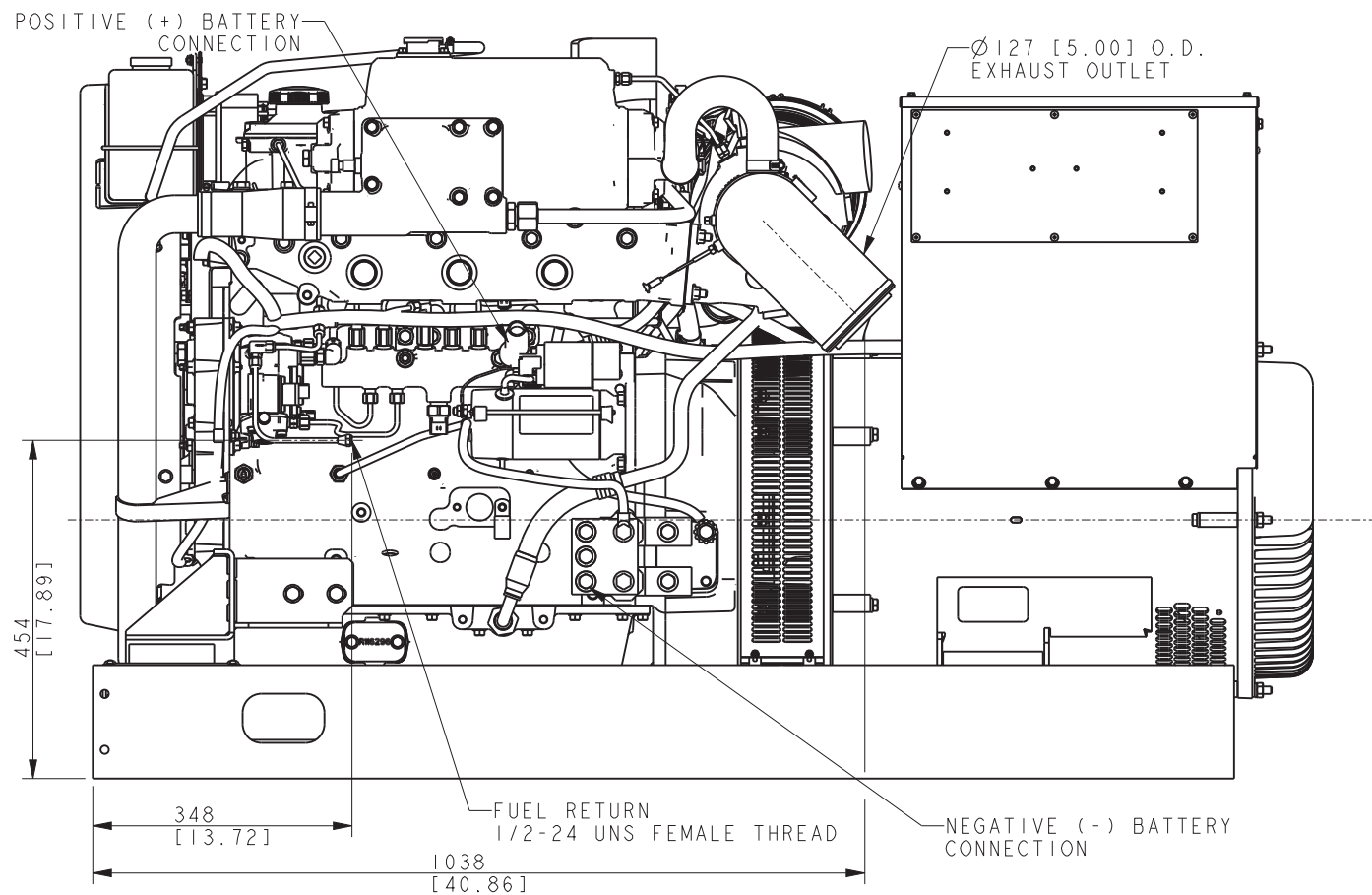
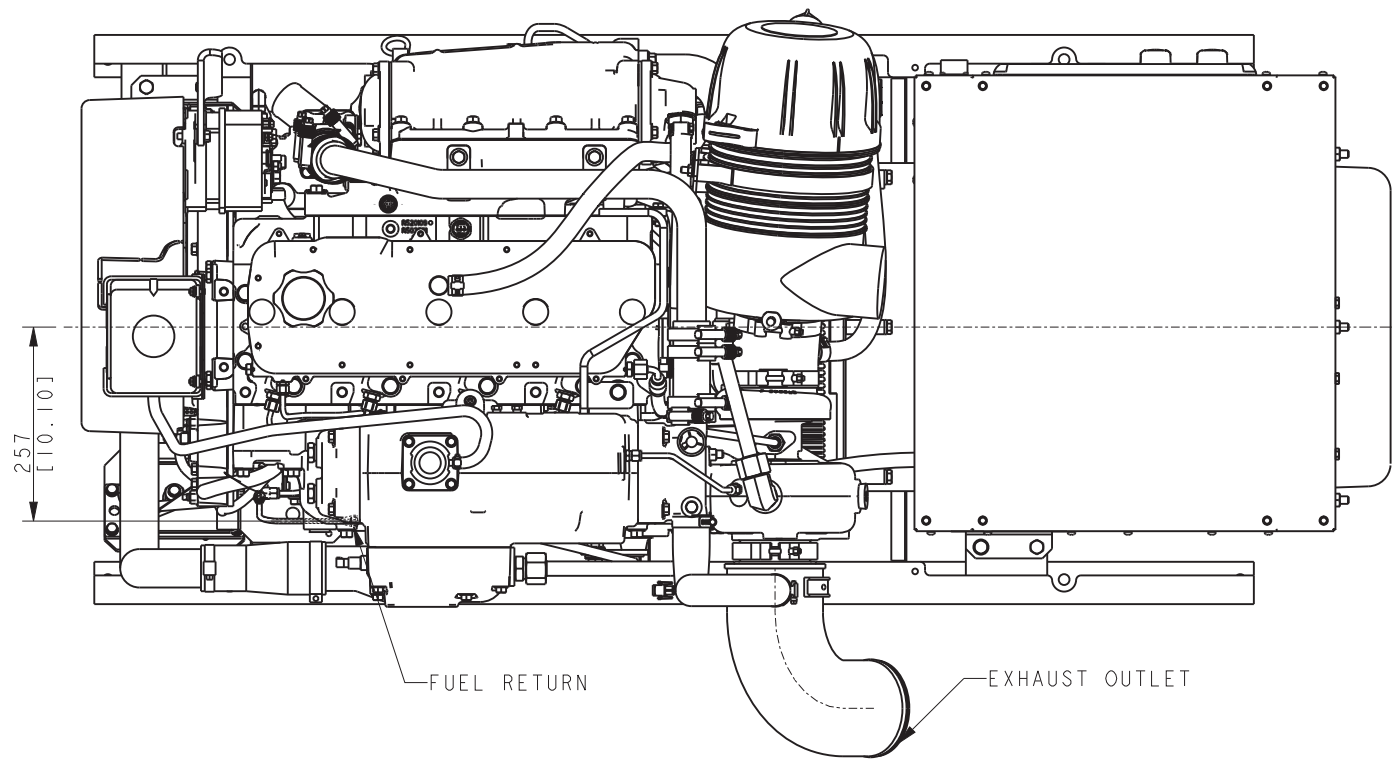
KOHLER CO. METRIC PRO-E

POWER SYSTEMS, KOHLER, WI 53044 U.S.A.
THIS DRAWING IN DESIGN AND DETAIL IS KOHLER CO. PROPERTY AND MUST NOT BE USED EXCEPT IN CONNECTION WITH KOHLER CO. WORK. ALL RIGHTS OF DESIGN OR INVENTION ARE RESERVED.

TITLE
DIMENSION PRINT, 80-99EOZDJ JD MARINE

SCALE 0.20 CAD NO. SHEET 1 of 2

DWG NO. **ADV-8506**



REV	DATE	ON COMPOSITE DWGS. SEE PART NO. FOR REVISION LEVEL	BY	UNLESS OTHERWISE SPECIFIED - 1) DIMENSIONS ARE IN MILLIMETERS 2) TOLERANCES ARE:
C	10-9-17	SEE SHEET 1 OF 2 [CT179950]	AJW	X.XX ±
D	30APR2020	SEE SHEET 1 [CT203725]	TKK	X.X ±
E	15APR2024	SEE SHEET 1 [CT235193]	MGH	ANGLES ±
				SURFACE FINISH MAX.
				THIRD ANGLE PROJECTION
				APPROVALS
				DATE
				DRAWN
				CHECKED
				APPROVED

KOHLER CO. METRIC PRO-E
 POWER SYSTEMS, KOHLER, WI 53044 U.S.A.
 THIS DRAWING IN DESIGN AND DETAIL IS KOHLER CO. PROPERTY AND MUST NOT BE USED EXCEPT IN CONNECTION WITH KOHLER CO. WORK. ALL RIGHTS OF DESIGN OR INVENTION ARE RESERVED.

TITLE
DIMENSION PRINT, 80-99EOZDJ JD MARINE

SCALE 0.20 CAD NO. SHEET 2 of 2
 DWG NO. **ADV-8506** D