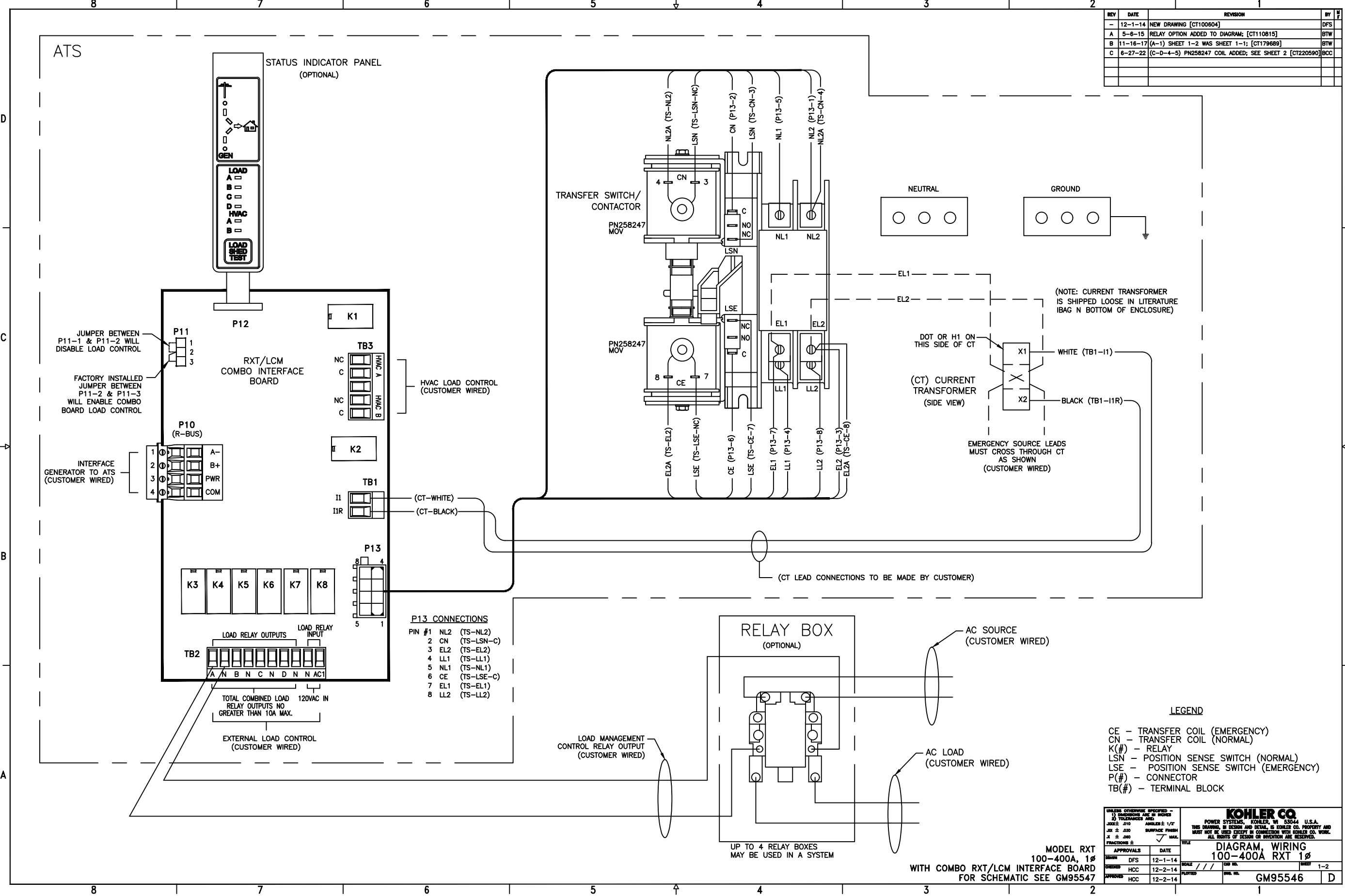
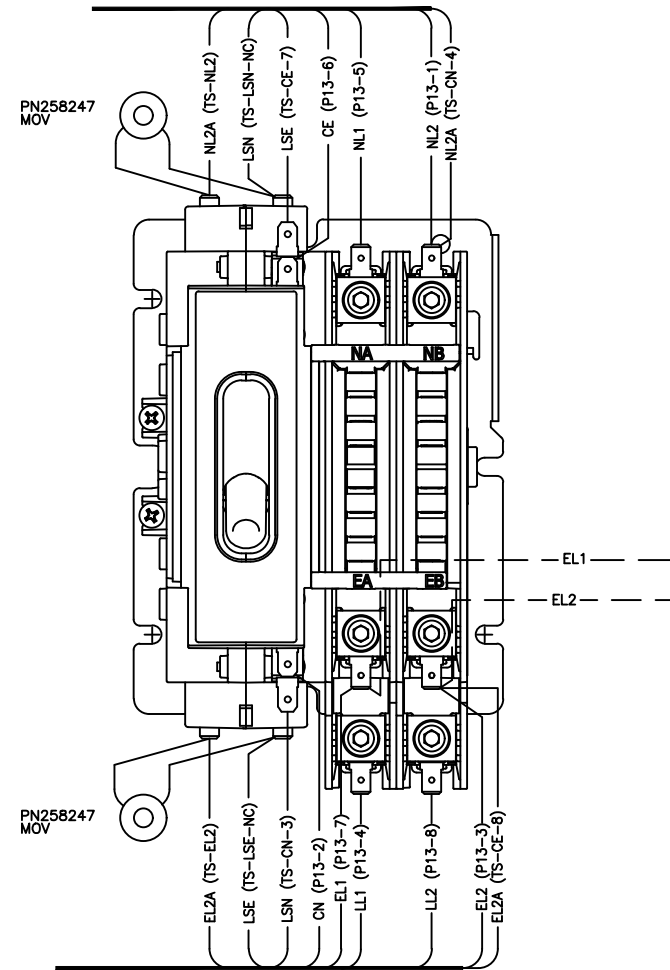


REV	DATE	REVISION	BY
-	12-1-14	NEW DRAWING [CT100804]	DFS
A	5-6-15	RELAY OPTION ADDED TO DIAGRAM; [CT110815]	BTW
B	11-16-17	(A-1) SHEET 1-2 WAS SHEET 1-1; [CT179689]	BTW
C	6-27-22	(C-D-4-5) PN258247 COIL ADDED; SEE SHEET 2 [CT220590]	BCC



REV	DATE	REVISION	BY
B	11-16-17	SHEET 2 ADDED, ALTERNATE CONTACTOR VIEW ADDED [CT179689]	BTW
C	6-27-22	(8-D-5-6) PN258247 COIL ADDED; SEE SHEET 1 [CT220590]	BCC



ALTERNATE CONTACTOR VIEW

APPROVALS		DATE	SCALE	SHEET
DESIGN	BTW	11-16-17	///	2-2
DRAWN	BTW	11-16-17	///	2-2
APPROVED	MTL	11-16-17	///	2-2

UNLESS OTHERWISE SPECIFIED - 1) DIMENSIONS ARE IN INCHES 2) TOLERANCES ARE: FRACTIONS ±		<b>KOHLER CO.</b> POWER SYSTEMS, KOHLER, WI 53044 U.S.A. THIS DRAWING IN DESIGN AND DETAIL IS KOHLER CO. PROPERTY AND MUST NOT BE USED EXCEPT IN CONNECTION WITH KOHLER CO. WORK. ALL RIGHTS OF DESIGN OR INVENTION ARE RESERVED.	
TITLE		DIAGRAM, WIRING	
PART NO.		GM95546	