

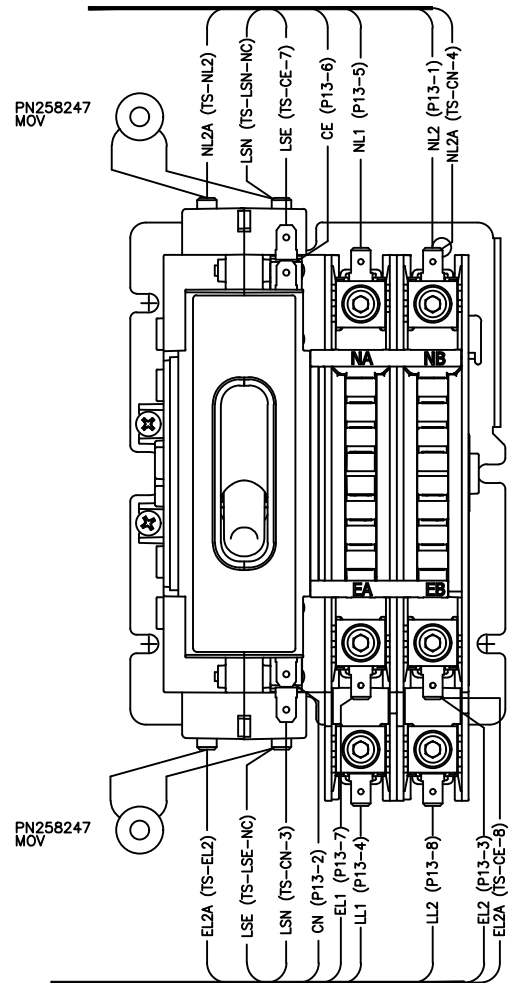
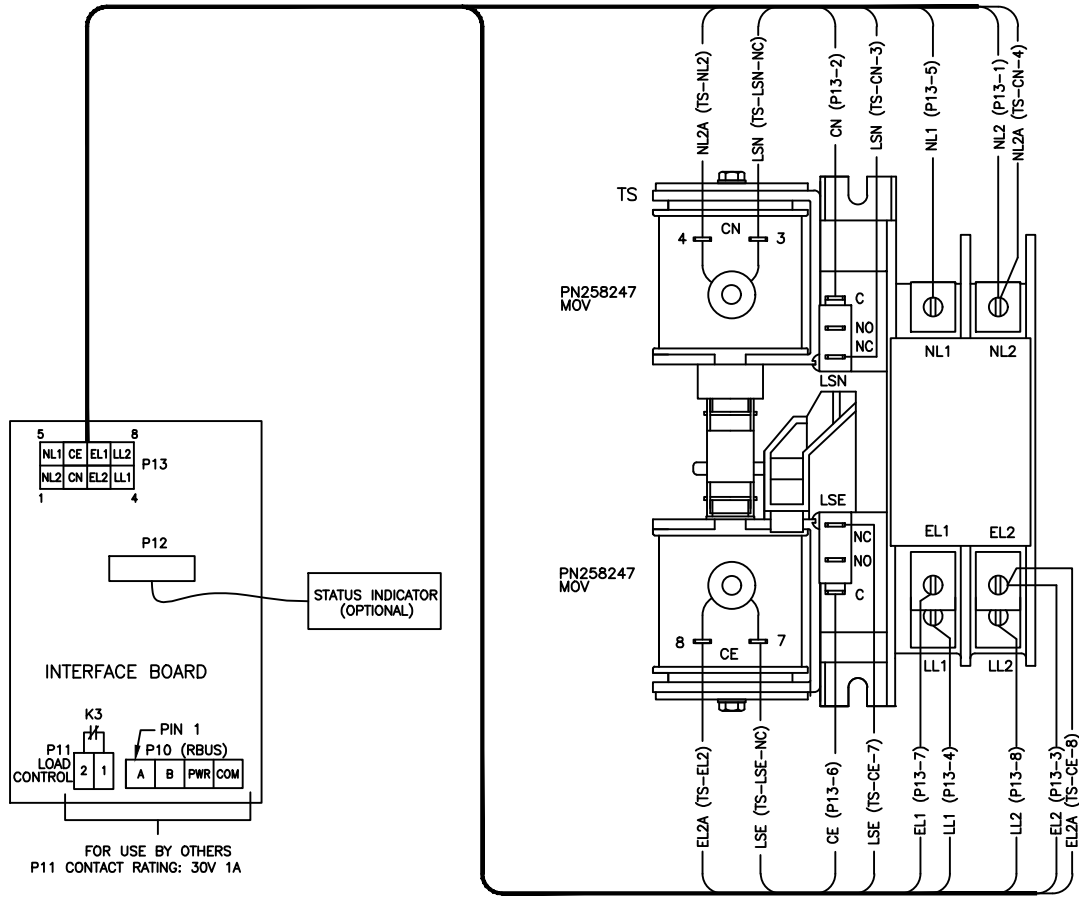
REV	DATE	REVISION	BY
-	2-28-11	NEW DRAWING [90714-3]	CRS
A	11-16-17	ALTERNATE CONTACTOR VIEW ADDED [CT179689]	BTW
B	6-27-22	PN258247 COIL ADDED [CT220590]	BCC

**LEGEND**

- CE - TRANSFER COIL (EMERGENCY)
- CN - TRANSFER COIL (NORMAL)
- LSN - POSITION SENSE SWITCH (NORMAL)
- LSE - POSITION SENSE SWITCH (EMERGENCY)
- P(#)- CONNECTOR
- TS - TRANSFER SWITCH/CONTACTOR

**P13 CONNECTIONS**

- PIN #1 NL2 (TS-NL2)
- 2 CN (TS-LSN-C)
- 3 EL2 (TS-EL2)
- 4 LL1 (TS-LL1)
- 5 NL1 (TS-NL1)
- 6 CE (TS-LSE-C)
- 7 EL1 (TS-EL1)
- 8 LL2 (TS-LL2)



APPROVALS		DATE	
DESIGNED	CRS	DATE	2-28-11
CHECKED	FCH	DATE	2-28-11
APPROVED	MTL	DATE	2-28-11

UNLESS OTHERWISE SPECIFIED - 1) DIMENSIONS ARE IN INCHES 2) TOLERANCES ARE: FRACTIONS ± DECIMAL ± SURFACE FINISH MAX. FRAC. ±		<b>KOHLER CO.</b> POWER SYSTEMS, KOHLER, WI 53044 U.S.A. THIS DRAWING IS DESIGN AND BEHALF OF KOHLER CO. PROPERTY AND MUST NOT BE USED EXCEPT IN CONNECTION WITH KOHLER CO. WORK. ALL RIGHTS OF DESIGN OR INVENTION ARE RESERVED.	
MODEL RXT 100-400A, 1Ø FOR SCHEMATIC SEE GM80664		TITLE <b>DIAGRAM, WIRING</b> <b>100-400A RXT 1Ø</b>	
SCALE	///	SHEET	1-1
PLATED		DWG. NO.	GM80663