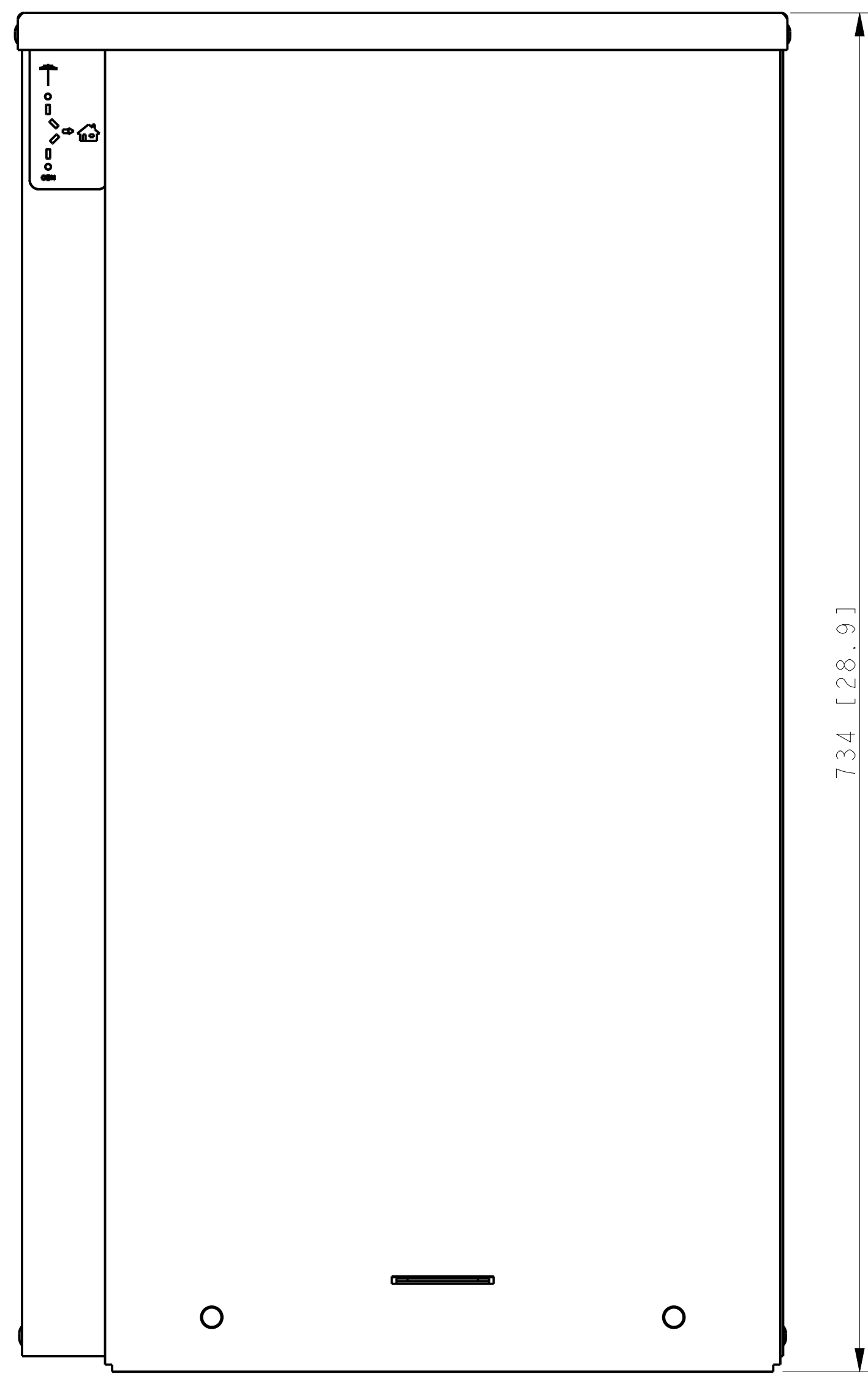
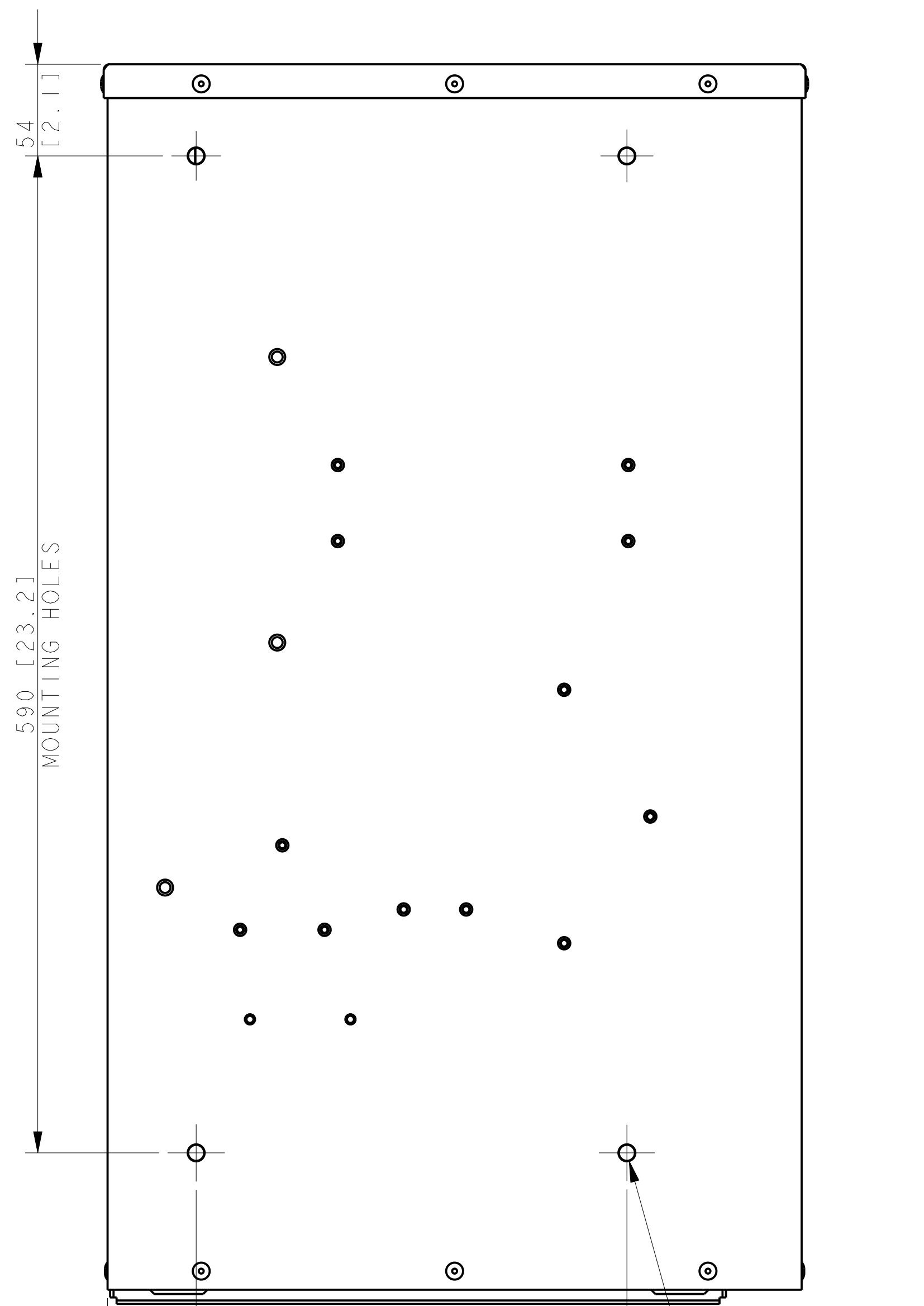


TOP VIEW

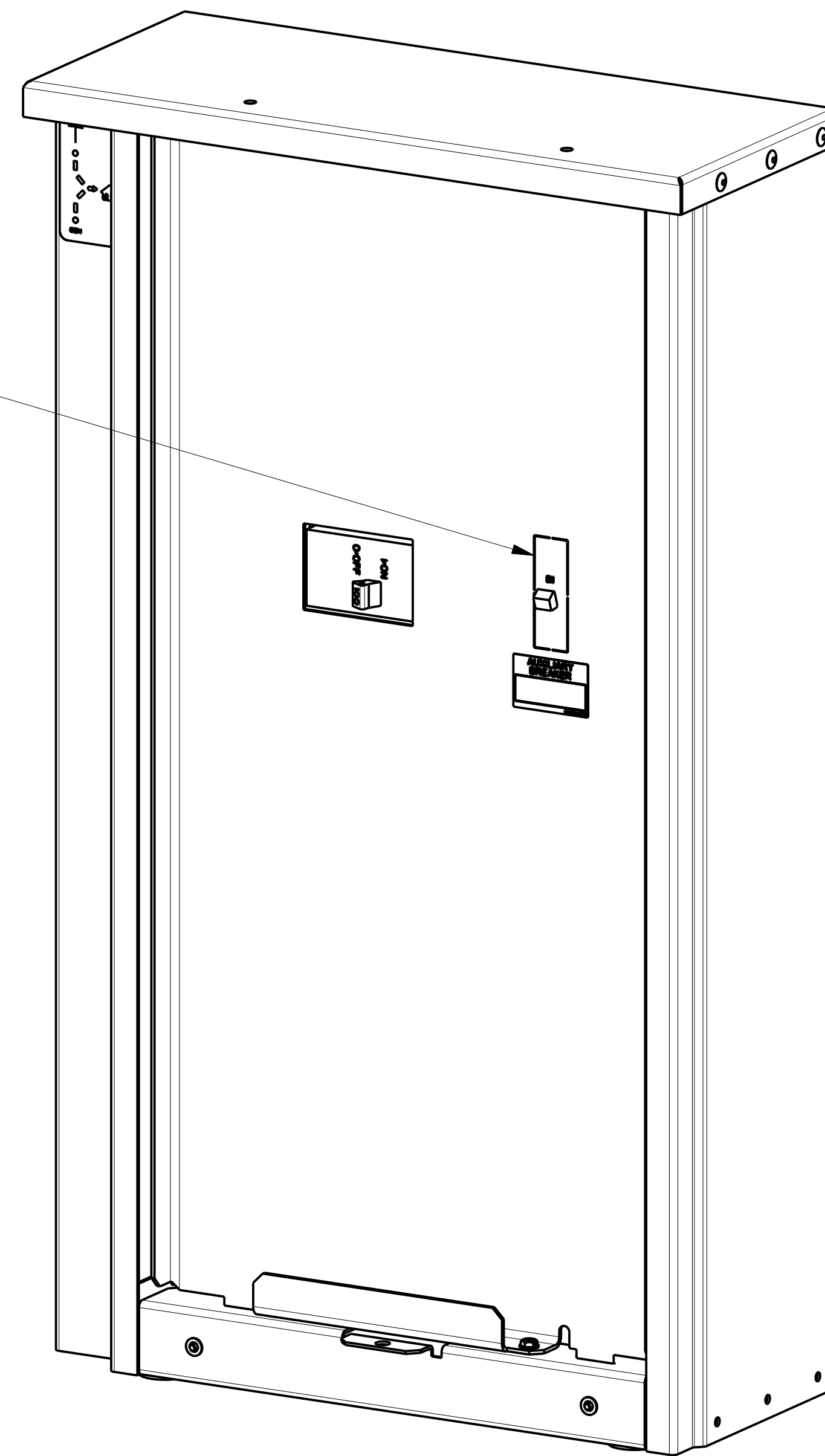


FRONT VIEW

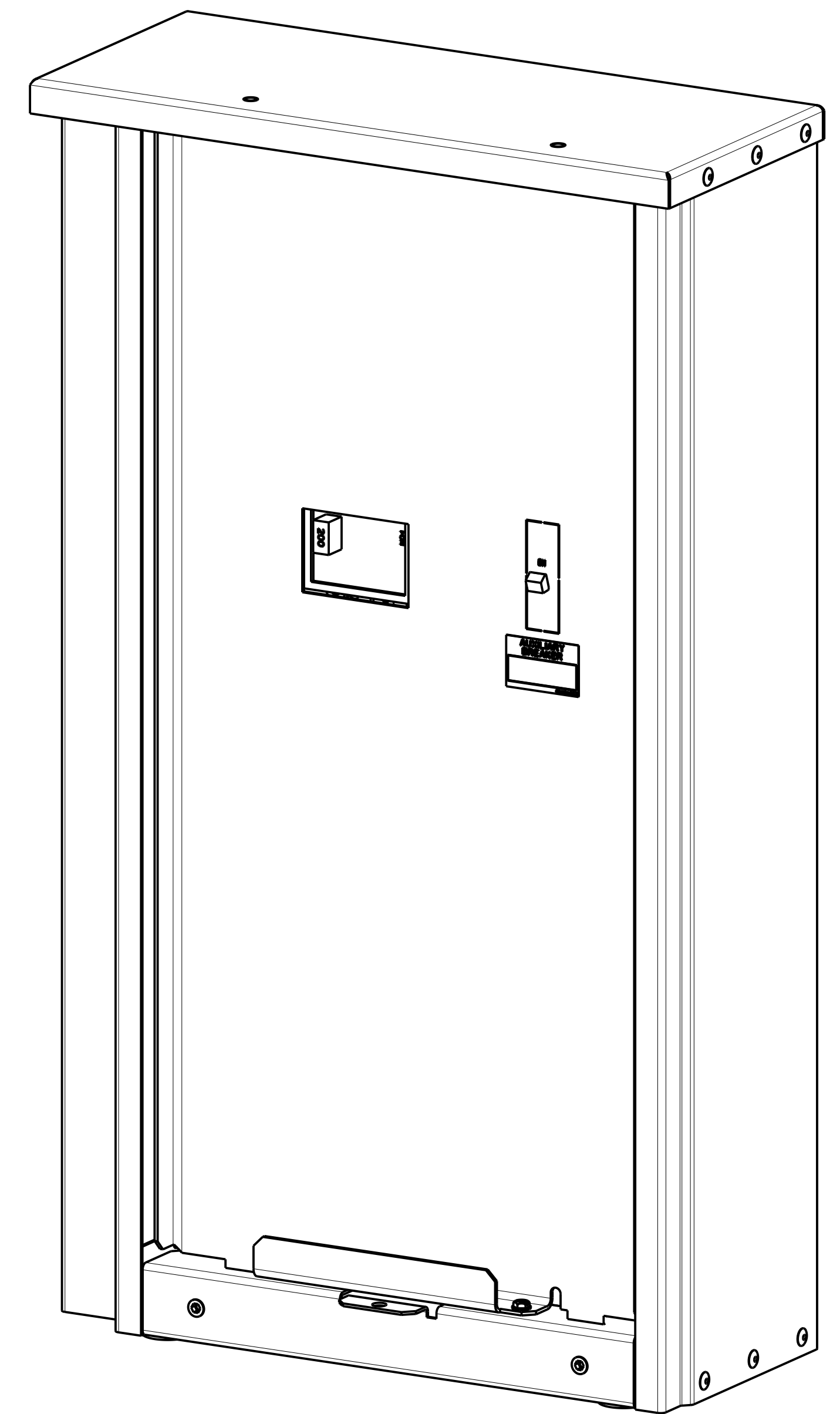


BACK VIEW

KNOCKOUT FOR
AUXILIARY BREAKER KIT
(OPTION)
SAME FOR BOTH 100 & 200 AMP UNITS



100A
COVER NOT SHOWN

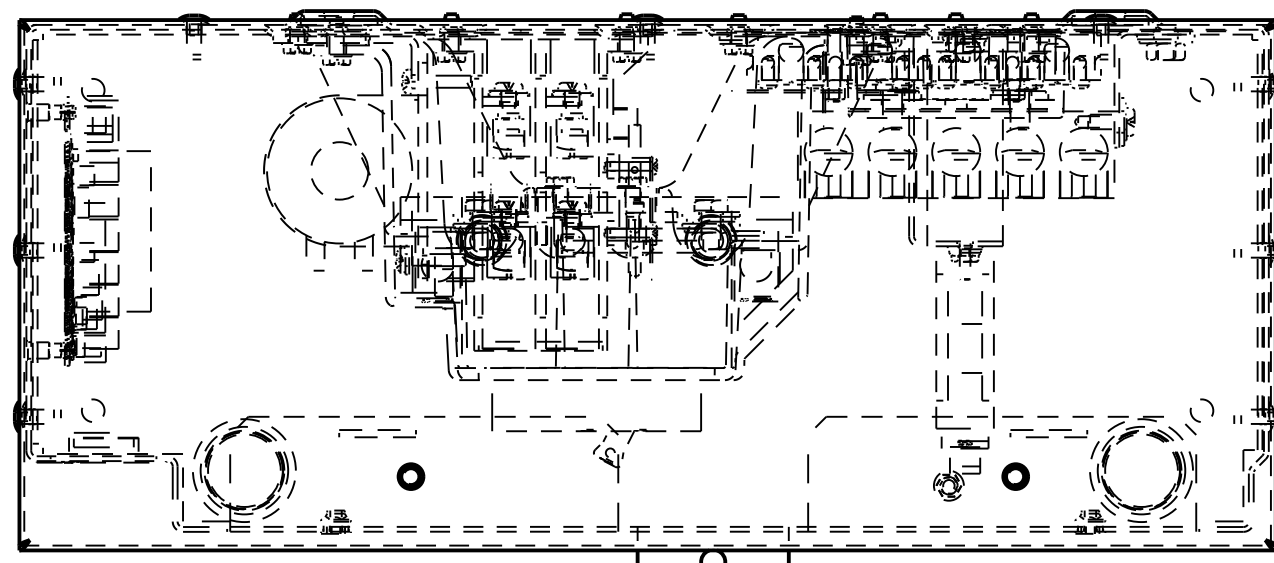


200A
COVER NOT SHOWN

DIMENSION IN [] ARE INCHES.
FINISH: ANSI 69 GRAY
REFER TO OPERATOR'S MANUAL PRIOR TO
INSTALLATION AND OPERATION OF UNIT.
100 AMP APPROXIMATE WEIGHT 10Kg (22 LBS)
200 AMP APPROXIMATE WEIGHT 12Kg (26 LBS)

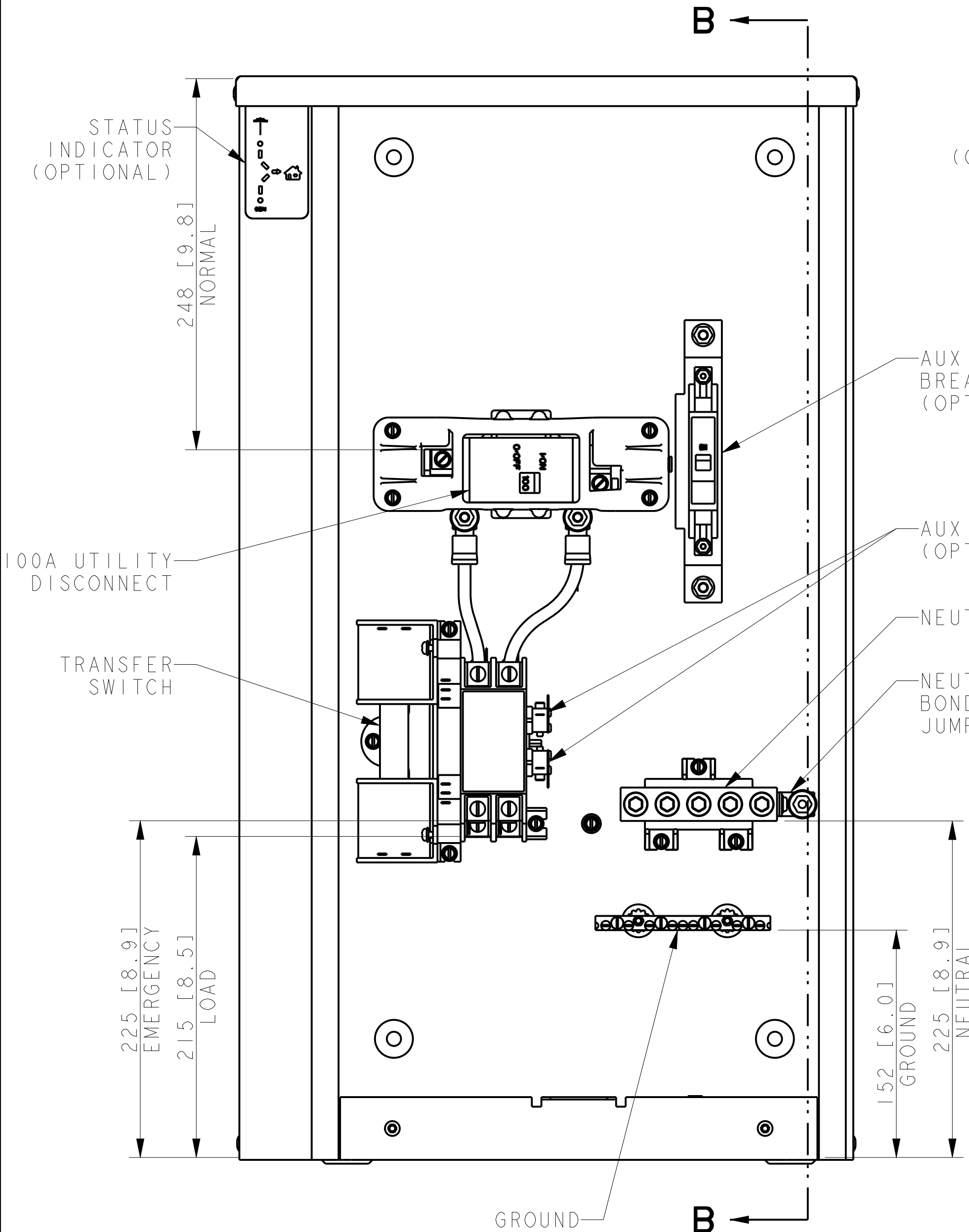
100-200A
MODEL RXT
SERVICE ENTRANCE
TYPE 3R ENCLOSURES

REV	DATE	ON COMPOSITE DWGS, SEE PART NO. FOR REVISION LEVEL	BY	DO NOT SCALE. REFERENCE THE MODEL FOR ALL UNSPECIFIED DIMENSIONS
-	11-15-17	NEW DRAWING [CT179697]	BTW	UNLESS OTHERWISE SPECIFIED: ALL DIMENSIONS IN MILLIMETERS GENERAL TOLERANCES: XX ± 0.25 X ± 1.0 X ± 1.5 ANGLES ± 0°30' MAX.
				THIRD ANGLE PROJECTION
APPROVALS		DATE		KOHLER. KOHLER, WISCONSIN 53044 THIS DRAWING IN DESIGN AND DETAIL IS KOHLER CO. PROPERTY AND MUST NOT BE USED EXCEPT IN CONNECTION WITH KOHLER CO. WORK. ALL RIGHTS OF DESIGN OR INVENTION ARE RESERVED. TITLE DIMENSION PRINT SCALE 0.40 CAD NO. SHEET 1 of 3 DWG NO. ADV-9046
DRAWN		BTW 11-15-17		
CHECKED		BTW 11-15-17		
APPROVED		MTL 11-15-17		

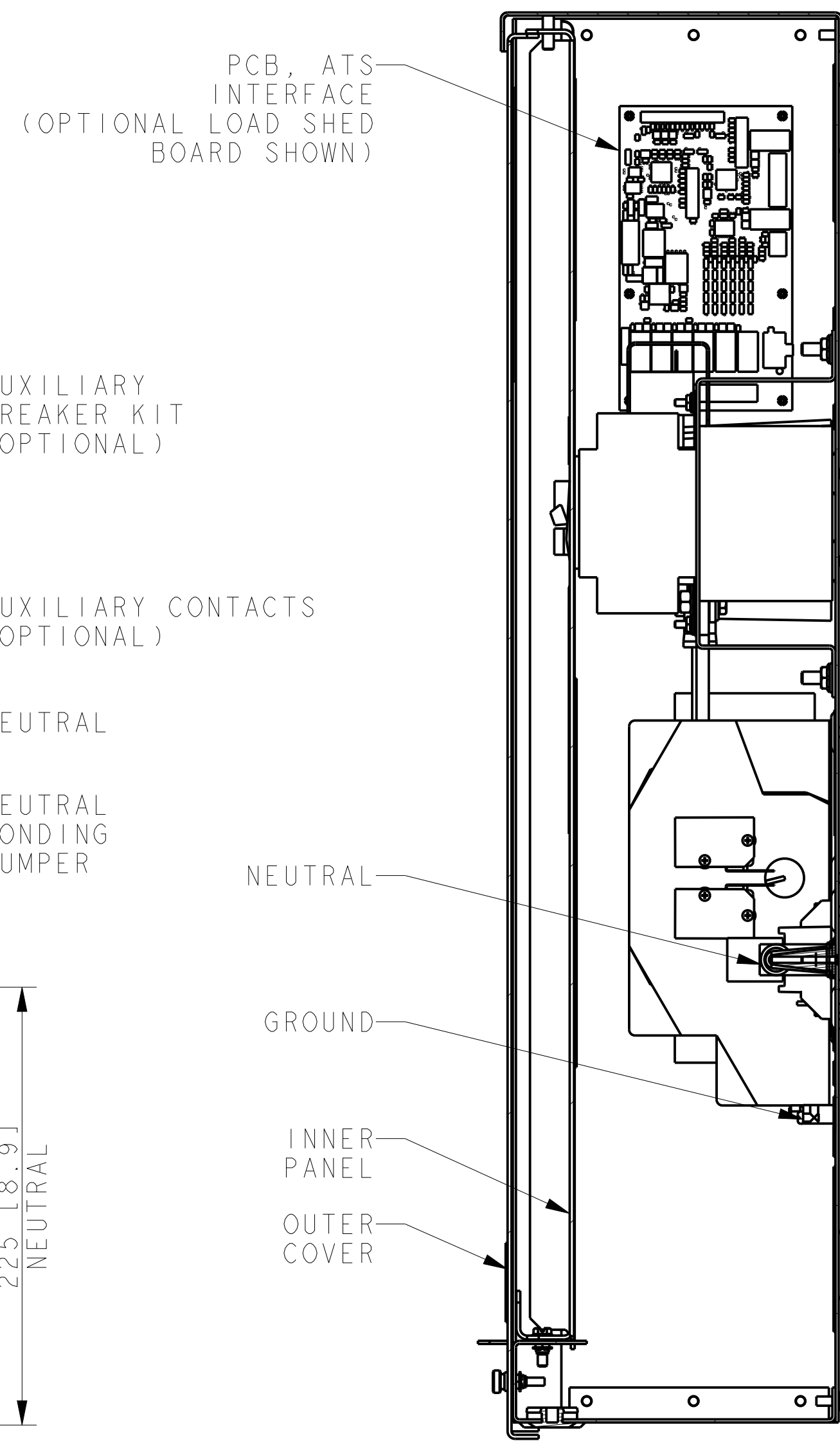


PADLOCK HASP

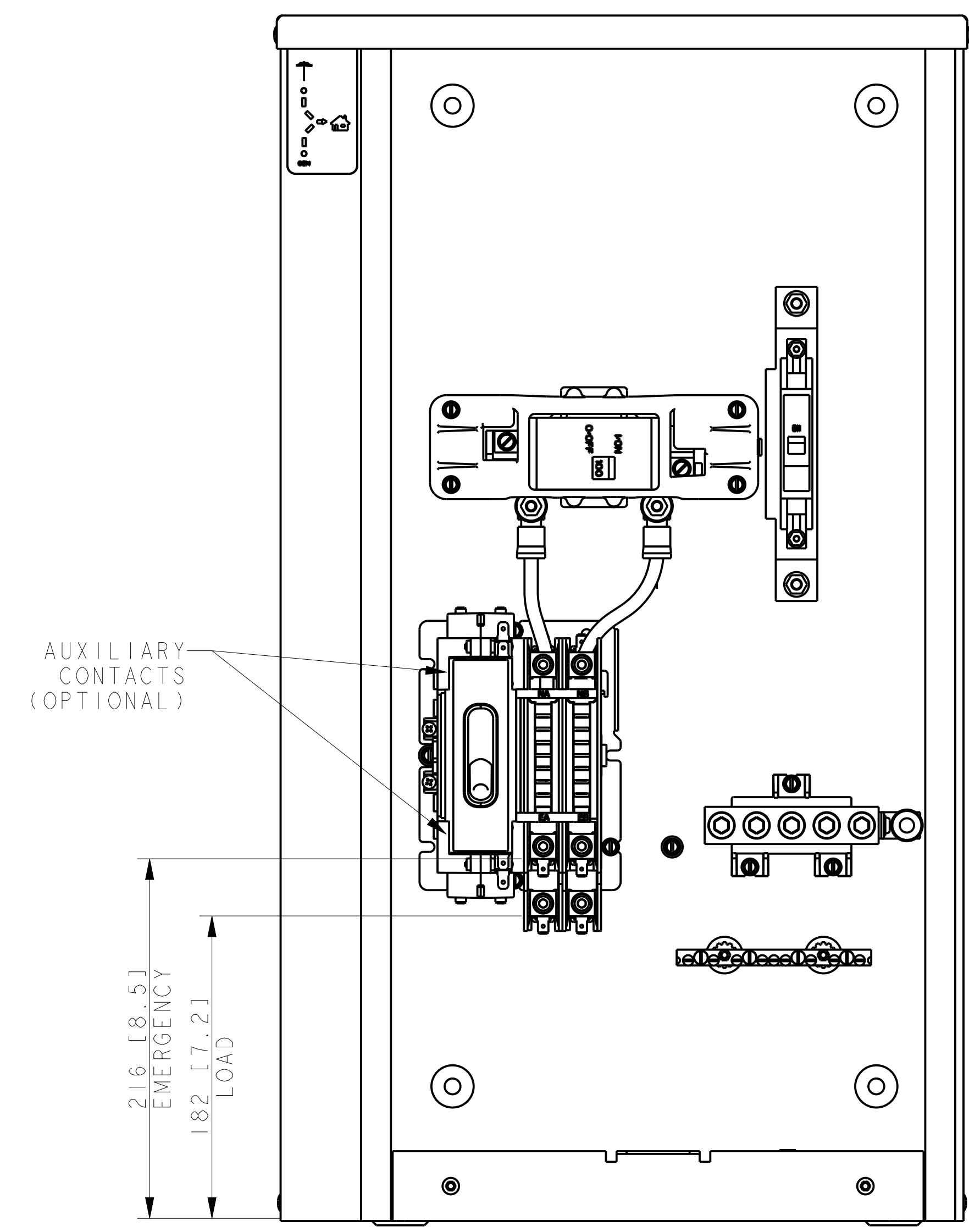
SCREW TYPE TERMINALS FOR EXTERNAL POWER CONNECTION				
SWITCH RATING (AMPS)	RANGE OF AL-CU WIRE SIZES			
	NORMAL (PER PHASE)	EMERGENCY / LOAD (PER PHASE)	NEUTRAL	GROUND
100	(1) #12-2/0 AWG	(1) #14-1/0 AWG	(5) #12-250 KCMIL (Cu) OR (5) #10-250 KCMIL (Al)	(9) #14-6 AWG (4) #14-1/0 AWG
150-200	(1) #4-300 KCMIL	(1) #6-250 KCMIL	(5) #12-250 KCMIL (Cu) OR (5) #10-250 KCMIL (Al)	(9) #14-6 AWG (4) #14-1/0 AWG



100A
INNER PANEL & COVER
REMOVED TO SHOW DETAILS

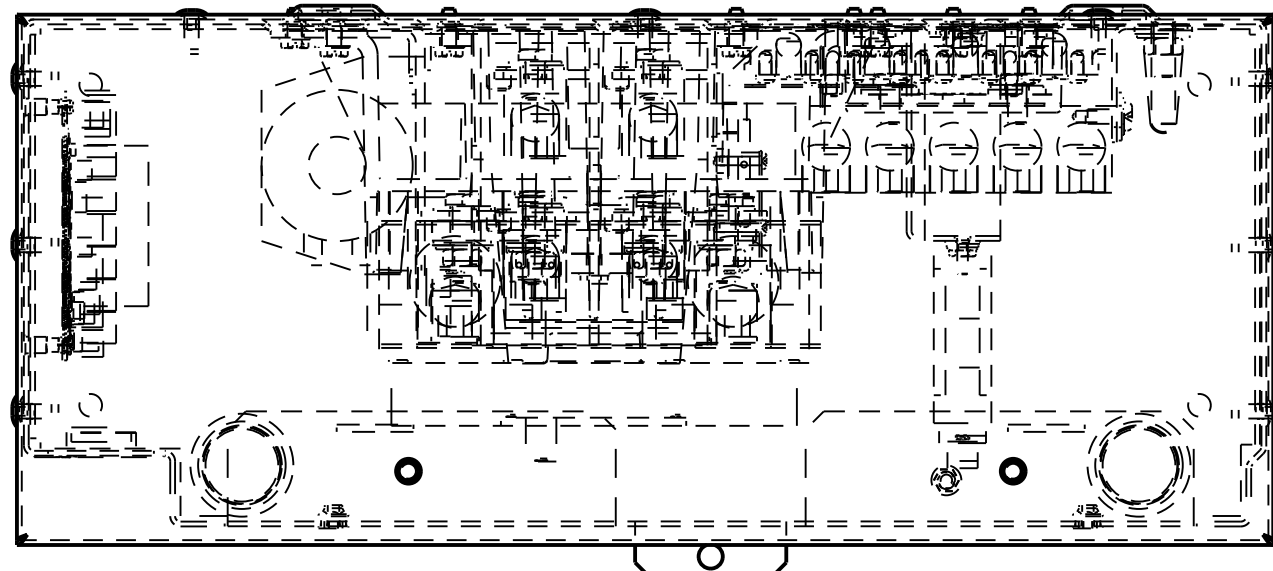


SECTION B-B

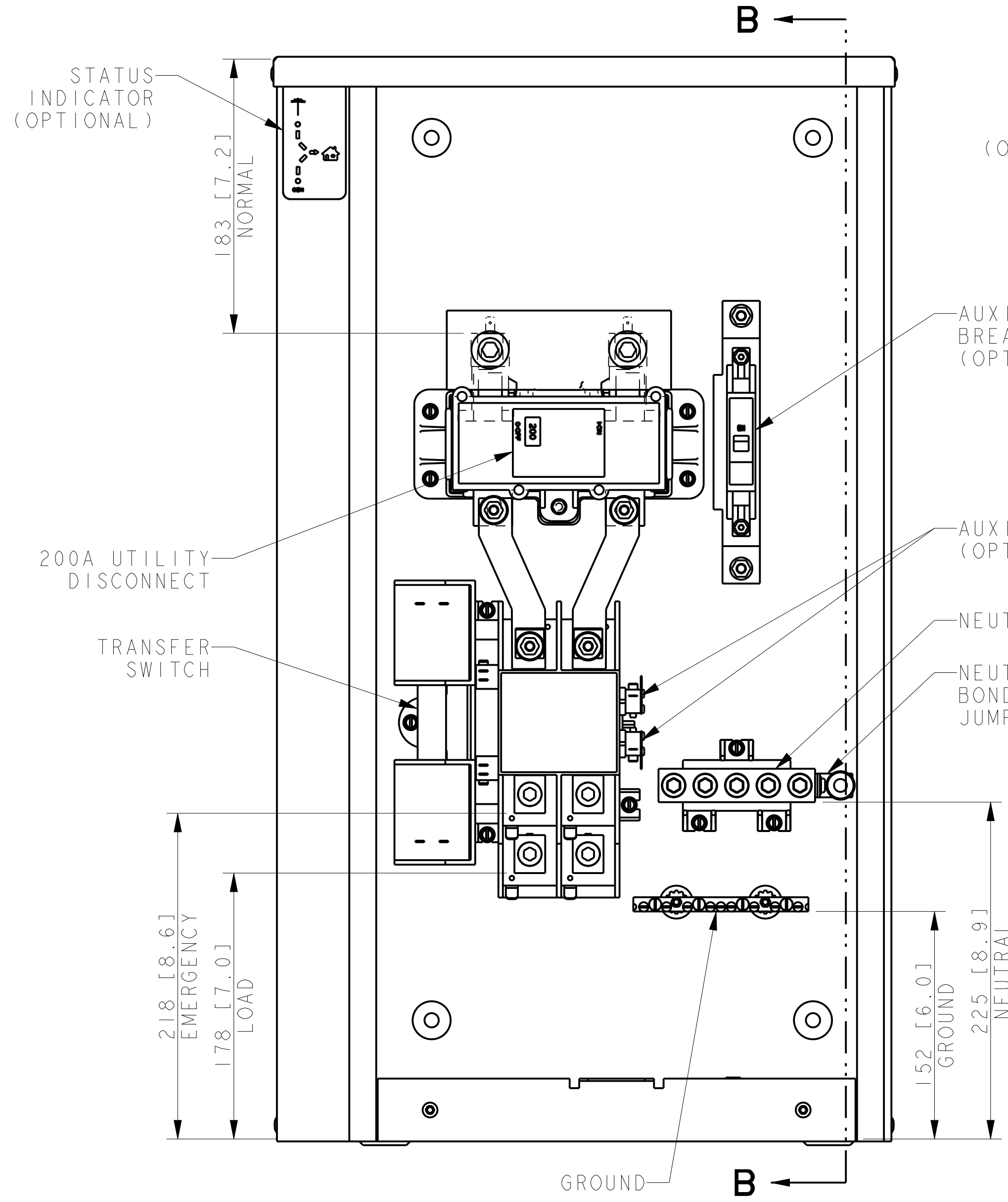


ALTERNATE CONTACTOR VIEW

REV	DATE	ON COMPOSITE DWGS, SEE PART NO. FOR REVISION LEVEL	BY	DO NOT SCALE. REFERENCE THE MODEL FOR ALL UNSPECIFIED DIMENSIONS
-	11-15-17	NEW DRAWING [CT179697]	BTW	UNLESS OTHERWISE SPECIFIED: ALL DIMENSIONS IN MILLIMETERS GENERAL TOLERANCES: XX ± 0.25 X ± 1.0 SURFACE FINISH X ± 1.5 MAX. ANGLES ± 0°30'
APPROVALS		DATE		
DRAWN		11-15-17		
CHECKED		11-15-17		
APPROVED		11-15-17		
				<p>KOHLER. KOHLER, WISCONSIN 53044</p> <p>THIS DRAWING IN DESIGN AND DETAIL IS KOHLER CO. PROPERTY AND MUST NOT BE USED EXCEPT IN CONNECTION WITH KOHLER CO. WORK. ALL RIGHTS OF DESIGN OR INVENTION ARE RESERVED.</p> <p>TITLE DIMENSION PRINT</p> <p>SCALE 0.40 CAD NO. SHEET 2 of 3</p> <p>ADV-9046</p>



PADLOCK HASP



150-200A
INNER PANEL & COVER
REMOVED TO SHOW DETAILS

PCB, ATS
INTERFACE
(OPTIONAL LOAD SHED
BOARD SHOWN)

AUXILIARY
BREAKER KIT
(OPTIONAL)

AUXILIARY CONTACTS
(OPTIONAL)

NEUTRAL

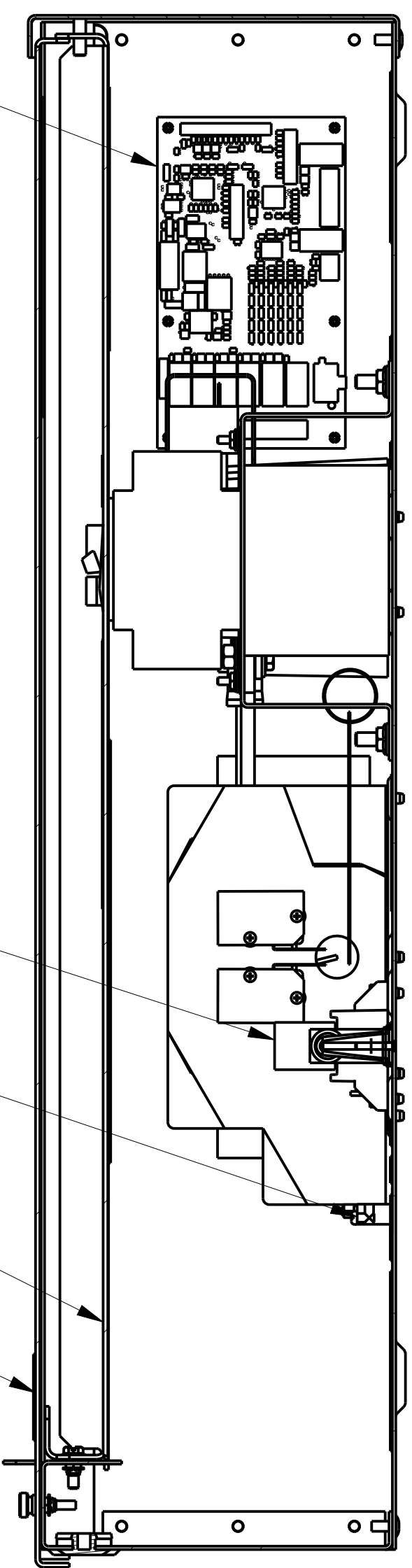
NEUTRAL
BONDING
JUMPER

NEUTRAL

GROUND

INNER
PANEL

COVER
OUTER

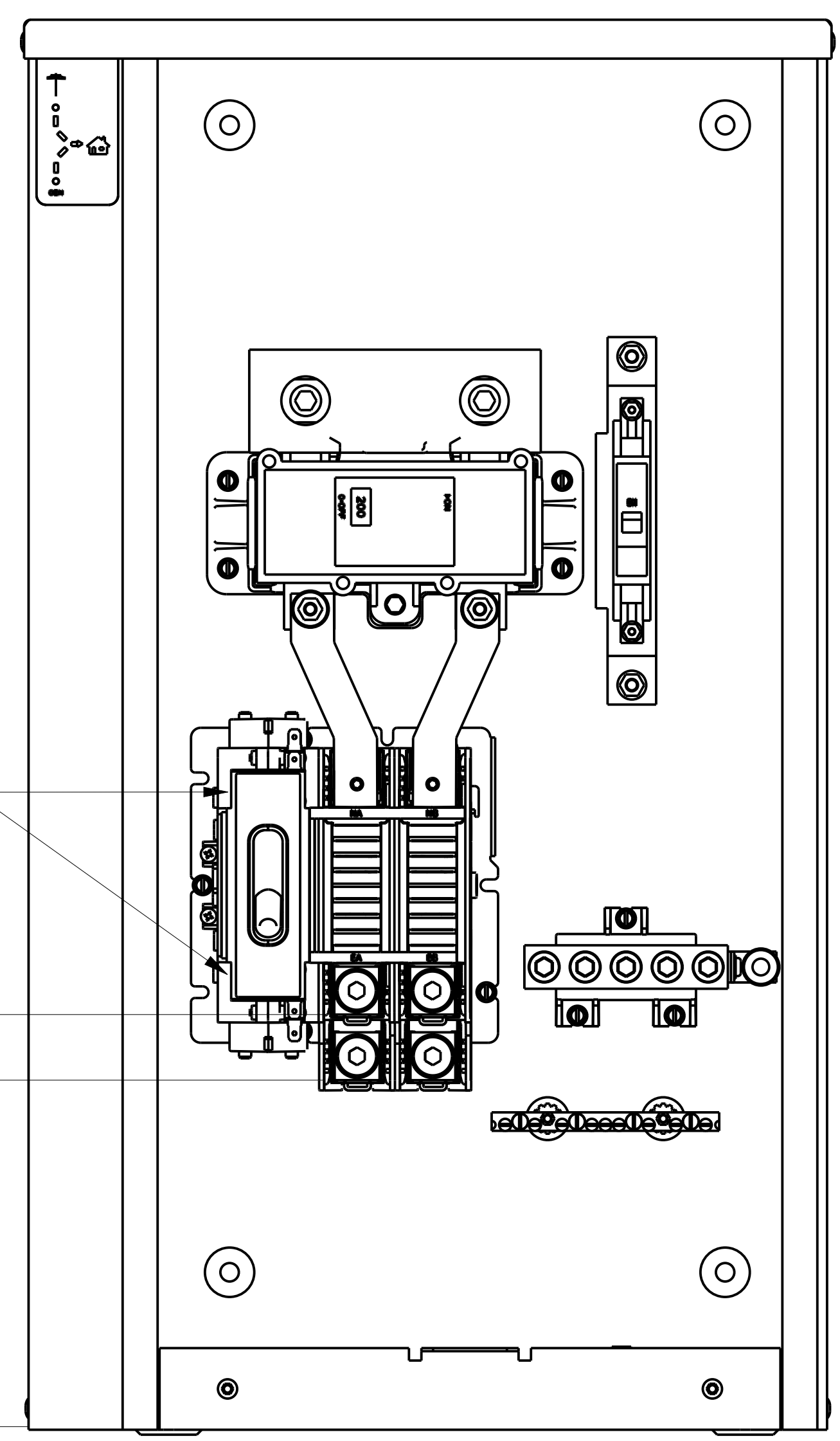


SECTION B-B

AUXILIARY CONTACTS
(OPTIONAL)

212 [8.3] EMERGENCY

178 [7.0] LOAD



ALTERNATE CONTACTOR VIEW

REV	DATE	ON COMPOSITE DWGS, SEE PART NO. FOR REVISION LEVEL	BY	DO NOT SCALE. REFERENCE THE MODEL FOR ALL UNSPECIFIED DIMENSIONS
-	11-15-17	NEW DRAWING [CT179697]	BTW	UNLESS OTHERWISE SPECIFIED: ALL DIMENSIONS IN MILLIMETERS GENERAL TOLERANCES: X.XX ± 0.25 X.X ± 1.0 SURFACE FINISH X ± 1.5 MAX. ANGLES ± 0°30'
				KOHLER. KOHLER, WISCONSIN 53044 THIS DRAWING IN DESIGN AND DETAIL IS KOHLER CO. PROPERTY AND MUST NOT BE USED EXCEPT IN CONNECTION WITH KOHLER CO. WORK. ALL RIGHTS OF DESIGN OR INVENTION ARE RESERVED.
				TITLE DIMENSION PRINT
APPROVALS		DATE		SCALE 0.40 CAD NO. SHEET 3 of 3
DRAWN		11-15-17		DWG NO. ADV-9046
CHECKED		11-15-17		
APPROVED		11-15-17		