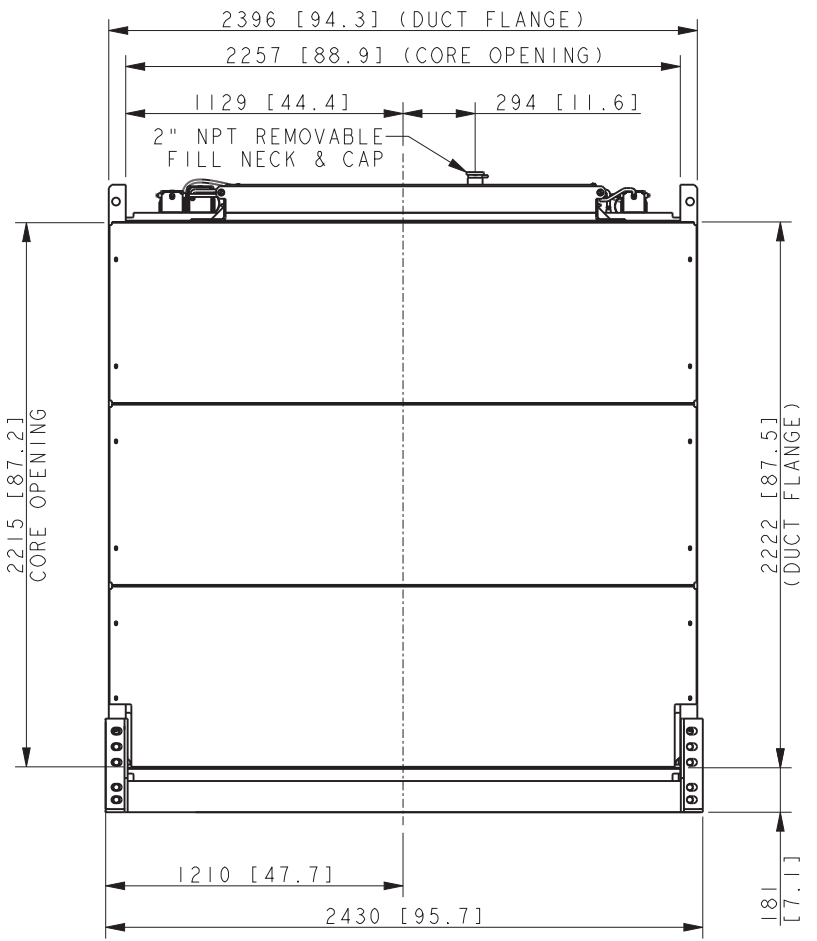
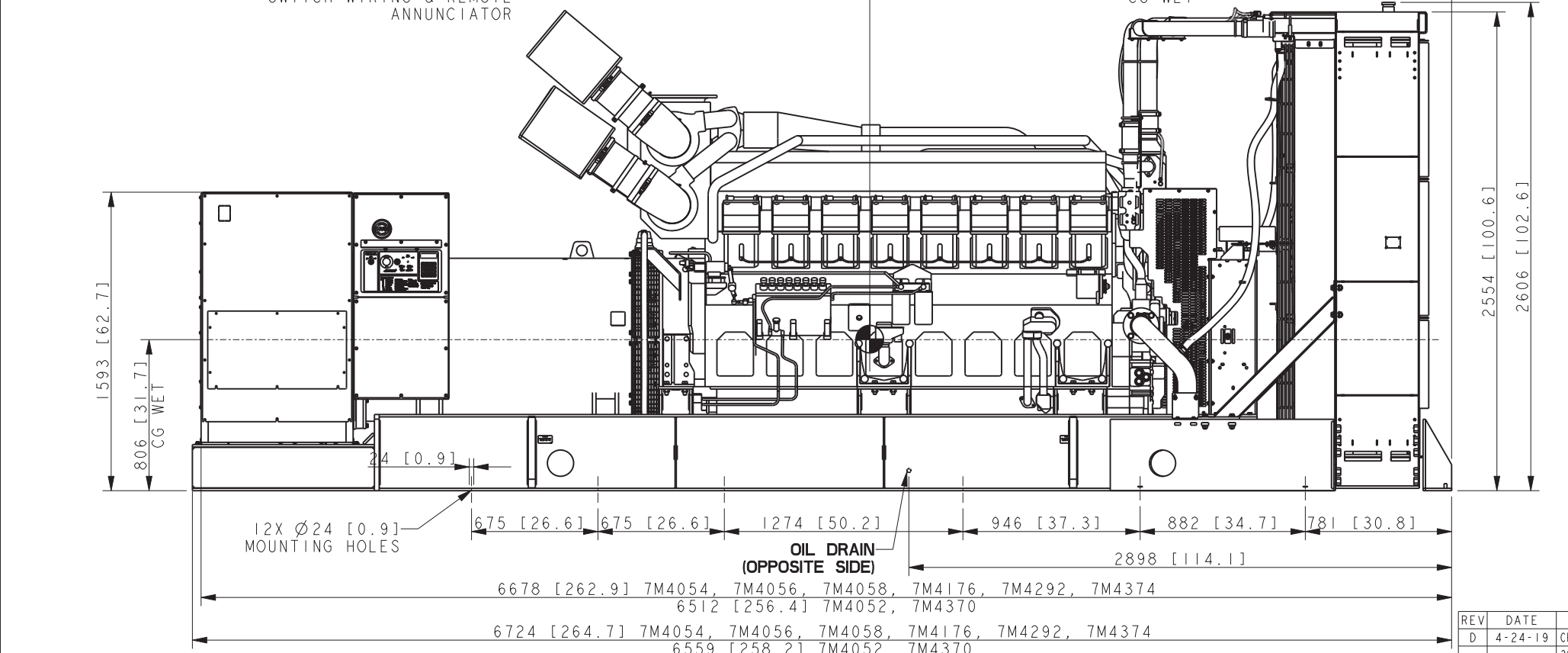


INSTALLATION NOTE
 IF SUBBASE FUEL TANK AND/OR SOUND HOUSING IS USED, REFER TO SUBBASE FUEL TANK ADV TO DETERMINE MOUNTING LOCATIONS.



NOTE:
 DIMENSIONS IN [] ARE INCH EQUIVALENTS
 MAXIMUM WET WEIGHT OF GENSET LESS ACCESSORIES: 15422 KG [34000 LBS]
 IF IBC CERTIFICATION IS REQUIRED, SEE SEISMIC ADV FOR INSTALLATION INSTRUCTIONS.

1750 MODEL 60 HZ
7M4052, 7M4054, 7M4056, 7M4176, 7M4292, 7M4370, 7M4374
2000 MODEL 60 HZ
7M4054, 7M4056, 7M4058, 7M4176, 7M4292, 7M4374
40C COOLING SYSTEM
mitsubishi TIER II

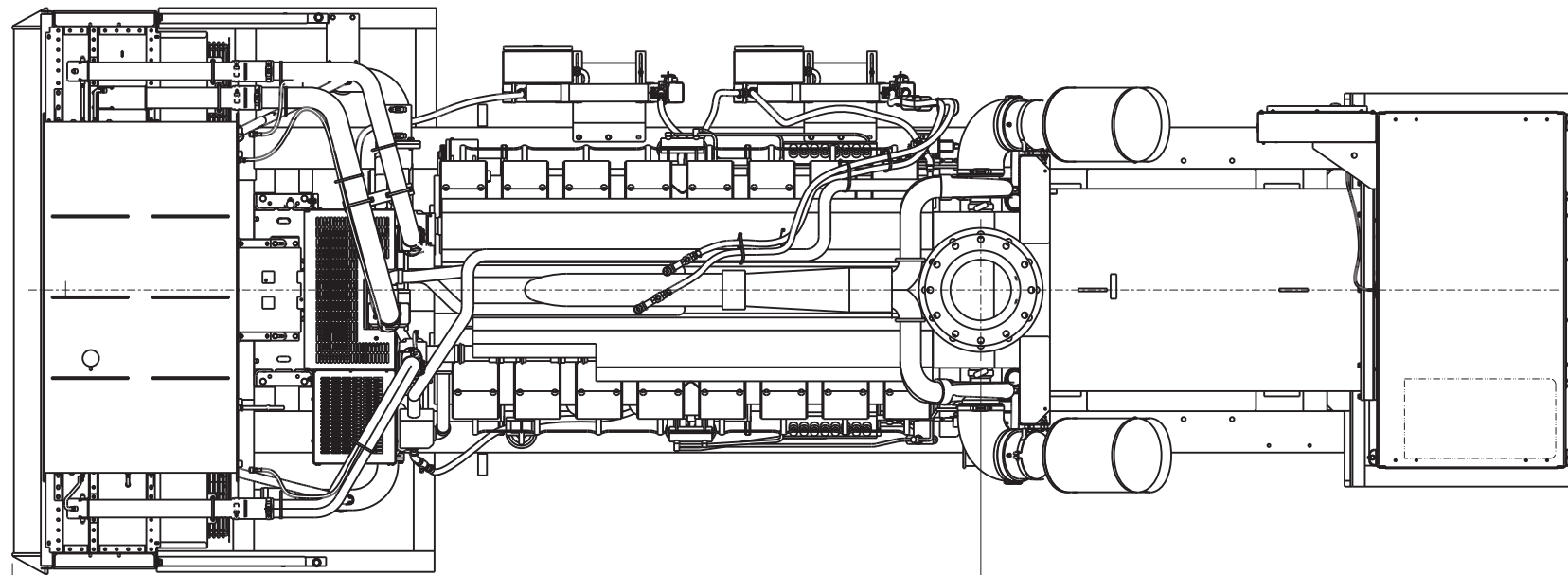
REV	DATE	ON COMPOSITE DWGS, SEE PART NO. FOR REVISION LEVEL	BY	DO NOT SCALE. REFERENCE THE MODEL FOR ALL UNSPECIFIED DIMENSIONS
D	4-24-19	CREO FORMAT WAS AUTOCAD; (A-5) 946 [37.3] WAS 954 [37.6], 2898 [114.1] WAS 2906 [114.4]; (B-3) 2606 [102.6] WAS 2602 [102.4]; (C-3) 337 [13.3] WAS 331 [13.0]; (A-2) 1210 [47.7] WAS 1213 [47.8], 2430 [95.7] WAS 2426 [95.5]; (C-1) 294 [11.6] WAS 302 [11.9]; (D-3) 1167 [45.9] WAS 1164 [45.8], 2334 [91.9] WAS 2328 [91.6]; (A-6) 6678 [262.9] WAS 6686 [263.2], 6512 [256.4] WAS 6520 [256.7], 6724 [264.7] WAS 6790 [267.3], 6559 [258.2] WAS 6625 [260.8]; SEE SHEET 2, 3, 4, 5 & 6 [CT195557]		UNLESS OTHERWISE SPECIFIED: ALL DIMENSIONS IN MILLIMETERS GENERAL TOLERANCES: N/A
E	3APR2023	SEE SHEET 4 [CT226059]		APB CHECKED CWF 4-12-11 APM APPROVED WRD 4-12-11

KOHLER
 KOHLER, WISCONSIN 53044
 THIS DRAWING IN DESIGN AND DETAIL IS KOHLER CO. PROPERTY AND MUST NOT BE USED EXCEPT IN CONNECTION WITH KOHLER CO. WORK. ALL RIGHTS OF DESIGN OR INVENTION ARE RESERVED.

TITLE: **DIMENSION PRINT, 1750/2000REOZMD**

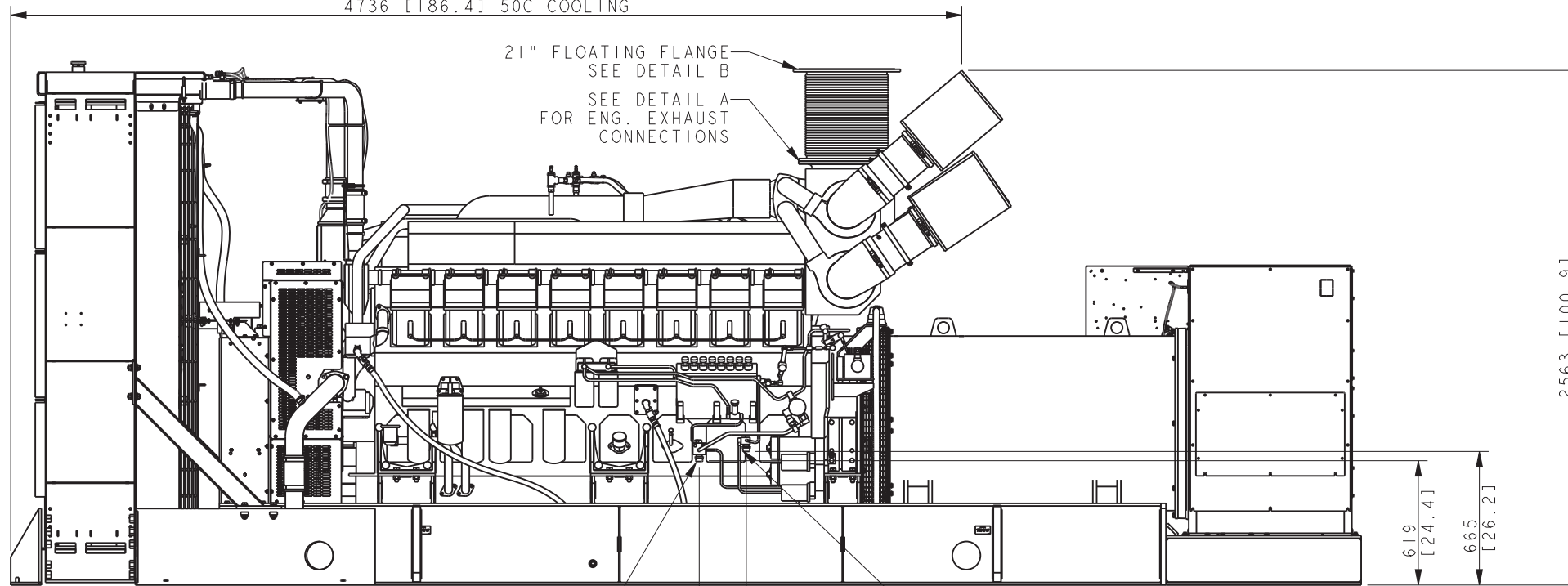
SCALE: 0.07 CAD NO. SHEET 1 of 6

DWG NO. **ADV-8180**



4163 [163.9] 40C COOLING
4203 [165.5] 50C COOLING

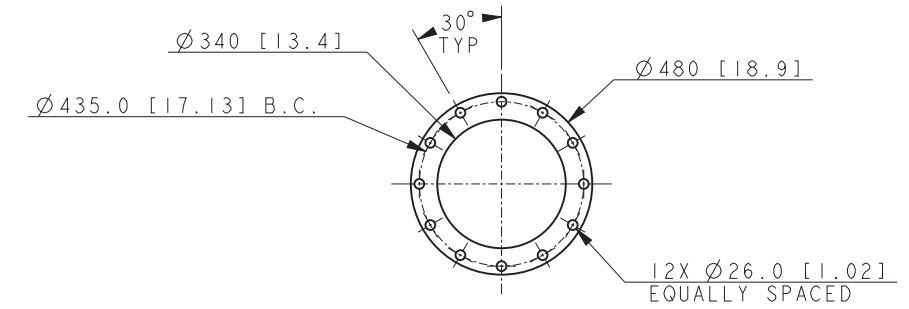
4696 [184.9] 40C COOLING
4736 [186.4] 50C COOLING



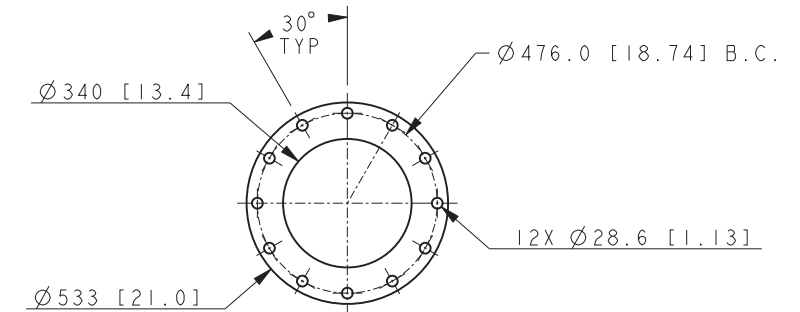
21" FLOATING FLANGE
SEE DETAIL B
SEE DETAIL A
FOR ENG. EXHAUST
CONNECTIONS

FUEL INLET
3/4 N.P.T. FUEL RETURN
3/4 N.P.T.

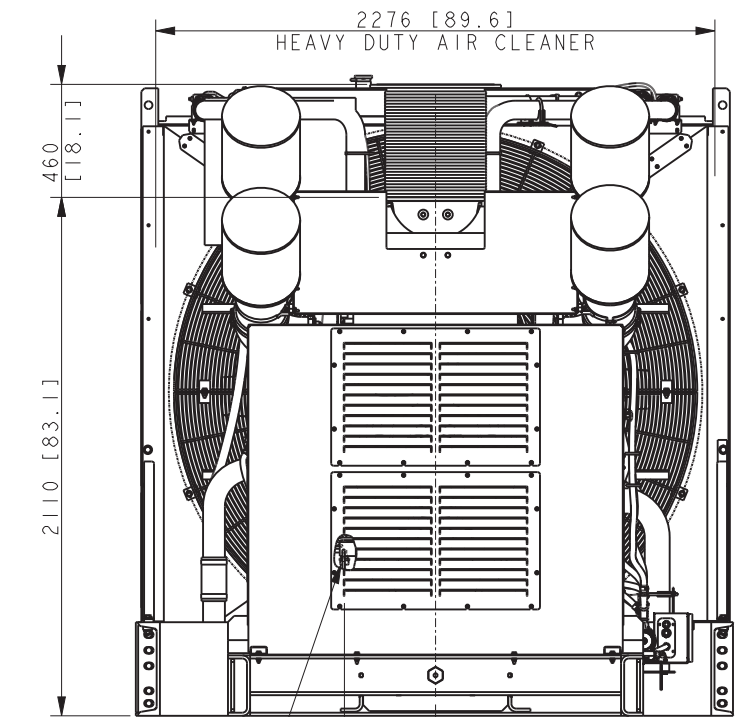
3428 [135.0] 40C COOLING
3468 [136.5] 50C COOLING
3663 [144.2] 40C COOLING
3703 [145.8] 50C COOLING



DETAIL A
ENGINE EXHAUST OUTLET



DETAIL B
OPTIONAL FLEX
EXHAUST FLANGE



2276 [89.6]
HEAVY DUTY AIR CLEANER

ENGINE FUEL
INLET AND RETURN

NOTE:
DIMENSIONS IN [] ARE INCH EQUIVALENTS
IF IBC CERTIFICATION IS REQUIRED, SEE SEISMIC ADV FOR INSTALLATION INSTRUCTIONS.

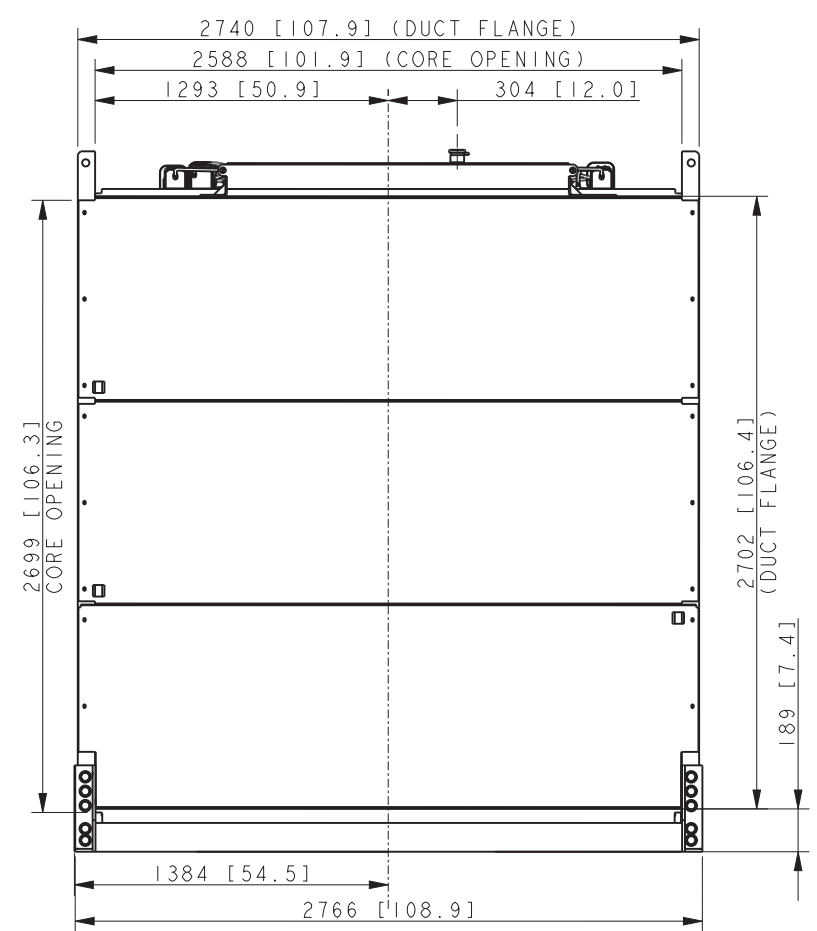
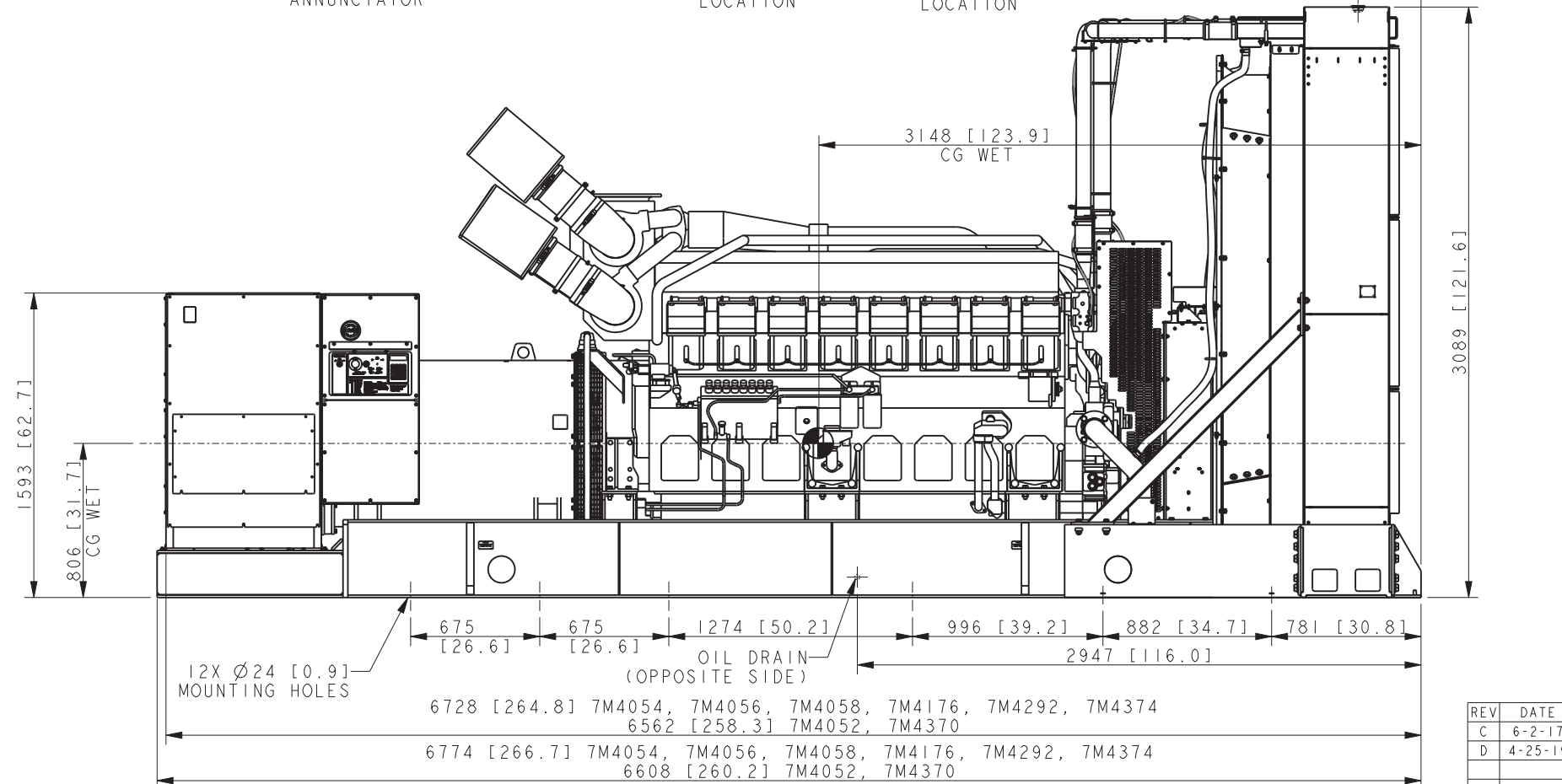
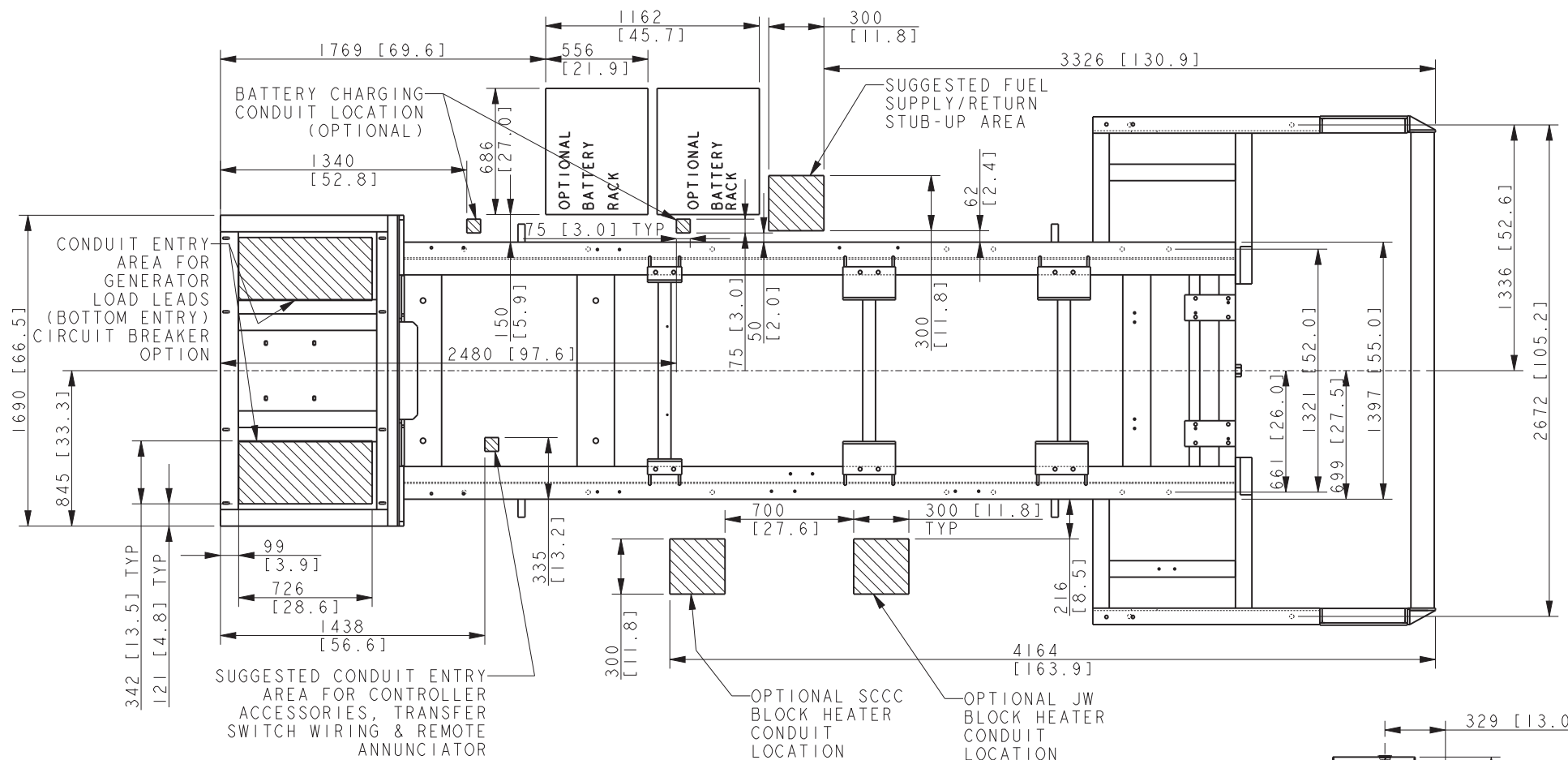
1750 MODEL 60 HZ
7M4052, 7M4054, 7M4056, 7M4176, 7M4292, 7M4370, 7M4374
2000 MODEL 60 HZ
7M4054, 7M4056, 7M4058, 7M4176, 7M4292, 7M4374
40C & 50C COOLING SYSTEM
MITSUBISHI TIER II

REV	DATE	ON COMPOSITE DWGS, SEE PART NO. FOR REVISION LEVEL	BY	DO NOT SCALE. REFERENCE THE MODEL FOR ALL UNSPECIFIED DIMENSIONS
D	4-25-19	(C-2) 2276 [89.6] WAS 2195 [86.4], (B-3) 2563 [100.9] WAS 2516 [99.1]; (C-7) 4163 [163.9] WAS 4171 [164.2], 4203 [165.5] WAS 4211 [165.8], 4736 [186.4] WAS 4728 [168.1], 4696 [184.9] WAS 4688 [184.6]; (A-7) 3428 [135.0] WAS 3436 [135.3], 3468 [136.5] WAS 3476 [136.9], 3663 [144.2] WAS 3671 [144.5], 3703 [145.8] WAS 3711 [146.1]; (A-2) 371 [14.6] WAS 348 [13.7]; (B-3) 460 [18.1] WAS 462 [18.2]; SEE SHEET 1, 3, 4, 5 & 6 [CT195557]		UNLESS OTHERWISE SPECIFIED: ALL DIMENSIONS IN MILLIMETERS GENERAL TOLERANCES: N/A
E	3APR2023	SEE SHEET 4 [CT226059]		THIRD ANGLE PROJECTION
		APB	APB	APPROVALS
		APM	APM	DATE
				4-12-11
				4-12-11
				4-12-11

KOHLER
KOHLER, WISCONSIN 53044
THIS DRAWING IN DESIGN AND DETAIL IS KOHLER CO. PROPERTY AND MUST NOT BE USED EXCEPT IN CONNECTION WITH KOHLER CO. WORK. ALL RIGHTS OF DESIGN OR INVENTION ARE RESERVED.

TITLE
**DIMENSION PRINT,
1750/2000REOZMD**

SCALE 0.07 CAD NO. SHEET 2 of 6
DWG NO. **ADV-8180**



NOTE:
 DIMENSIONS IN [] ARE INCH EQUIVALENTS
 MAXIMUM WET WEIGHT OF GENSET LESS ACCESSORIES: 16329 KG [36,000 LBS]
 IF IBC CERTIFICATION IS REQUIRED, SEE SEISMIC ADV FOR INSTALLATION INSTRUCTIONS.

7M4052, 7M4054, 7M4056, 7M4176, 7M4292, 7M4370, 7M4374
 2000 MODEL 60 HZ
 7M4054, 7M4056, 7M4058, 7M4176, 7M4292, 7M4374
 50C COOLING SYSTEM
 MITSUBISHI TIER II

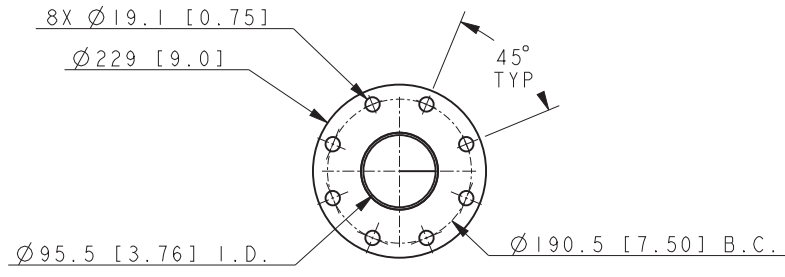
REV	DATE	ON COMPOSITE DWGS, SEE PART NO. FOR REVISION LEVEL	BY	DO NOT SCALE. REFERENCE THE MODEL FOR ALL UNSPECIFIED DIMENSIONS
C	6-2-17	SEE SHEET 2 & 4 [CT174847]	SSD	UNLESS OTHERWISE SPECIFIED: ALL DIMENSIONS IN MILLIMETERS GENERAL TOLERANCES: N/A
D	4-25-19	(C-4) 329 [13.0] WAS 331 [13.0]; (B-4) 3089 [121.6] WAS 3091 [121.7]; (C-1) 304 [12.0] WAS 302 [11.9]; (B-1) 189 [7.4] WAS 182 [7.2]; 2702 [106.4] WAS 2704 [106.5]; (A-6) 6608 [260.2] WAS 6665 [262.4], 6774 [266.7] WAS 6831 [268.9]; SEE SHEET 1,2,4,5 & 6 [CT195557]	APB	
E	3APR2023	SEE SHEET 4 [CT226059]	APM	THIRD ANGLE PROJECTION
				APPROVALS
				DATE
				APB DRAWN DJV 4-12-11
				APM CHECKED DJV 4-12-11
				APB APPROVED WRD 4-12-11

KOHLER
 KOHLER, WISCONSIN 53044
 THIS DRAWING IN DESIGN AND DETAIL IS KOHLER CO. PROPERTY AND MUST NOT BE USED EXCEPT IN CONNECTION WITH KOHLER CO. WORK. ALL RIGHTS OF DESIGN OR INVENTION ARE RESERVED.

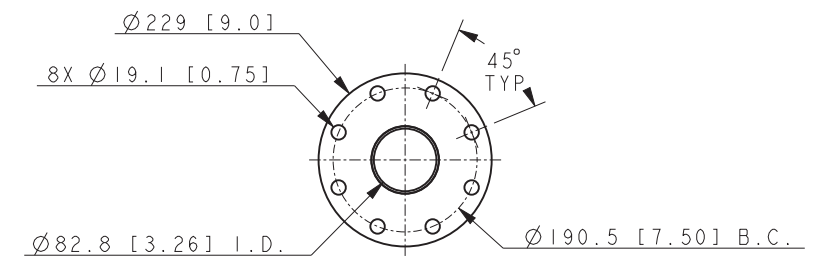
TITLE: **DIMENSION PRINT, 1750/2000REOZMD**

SCALE: 0.06 CAD NO. SHEET 3 of 6

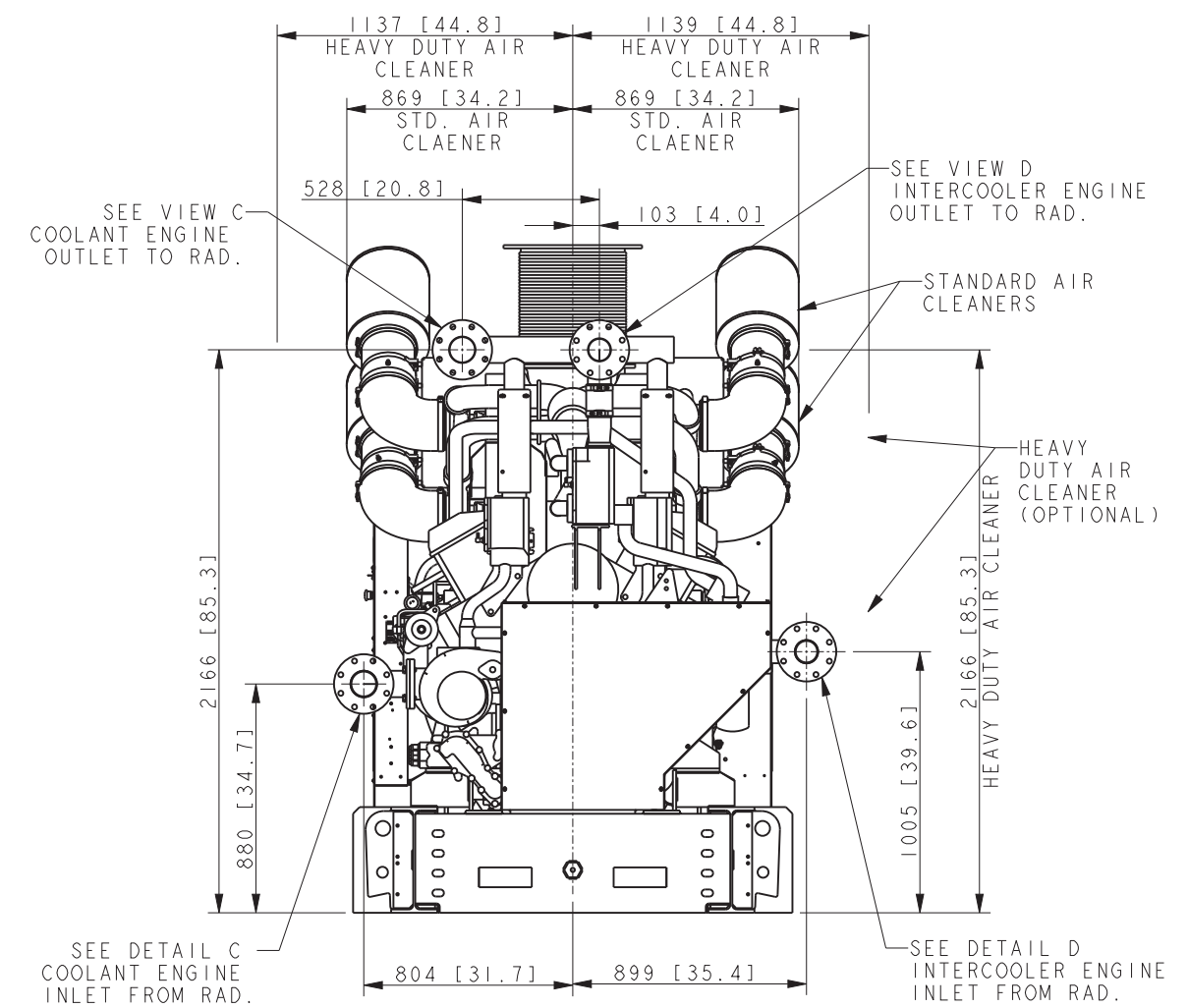
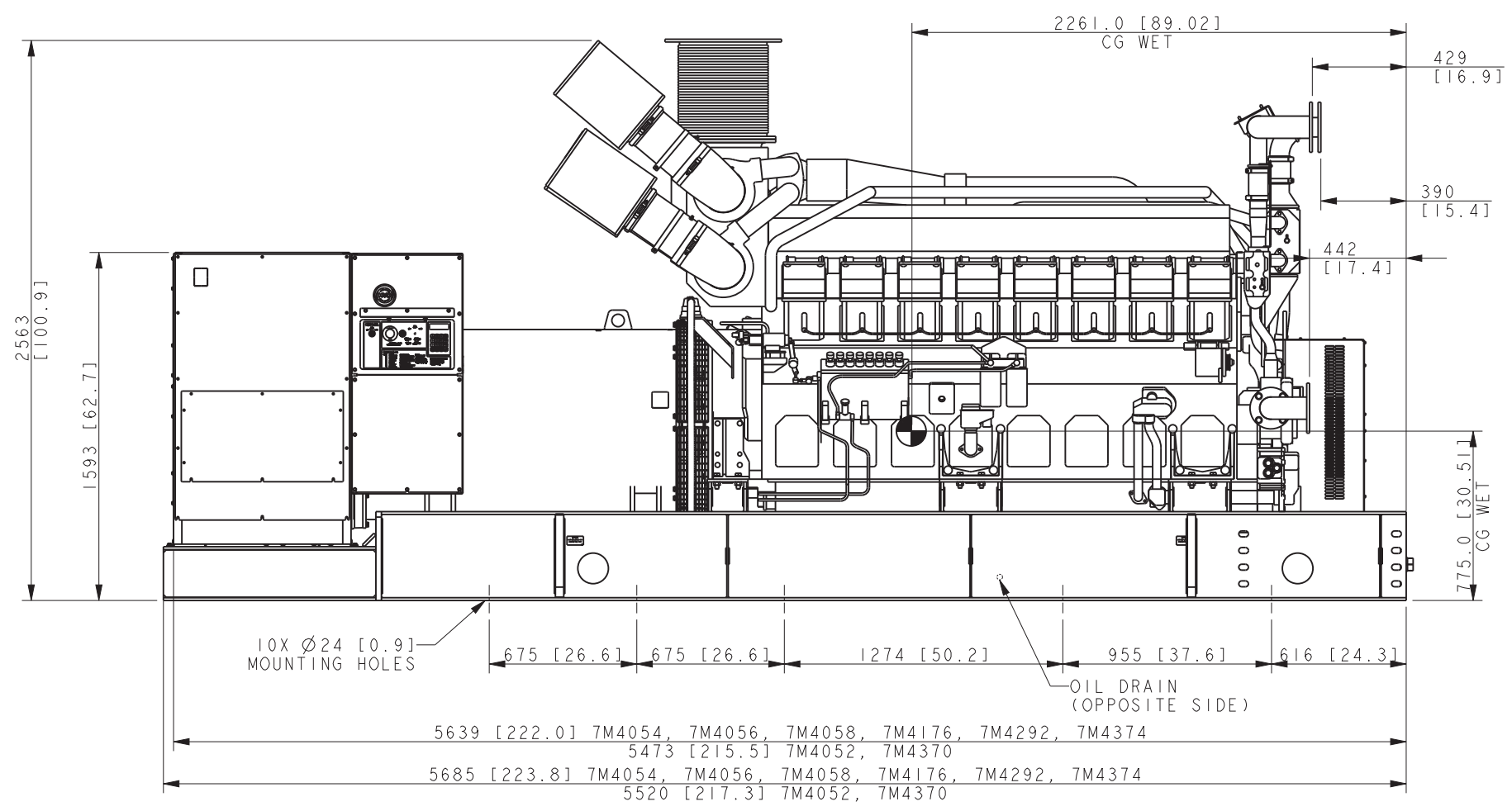
DWG NO. **ADV-8180**



DETAIL C
SCALE 0.20



DETAIL D
SCALE 0.20



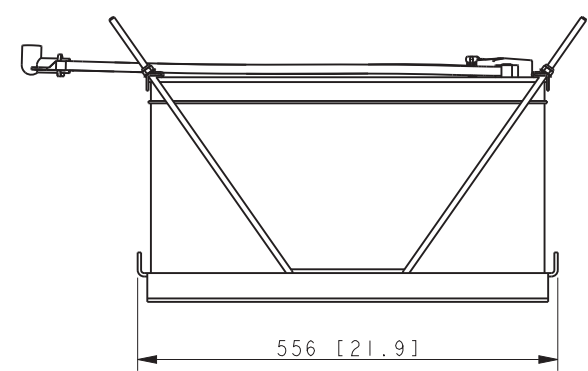
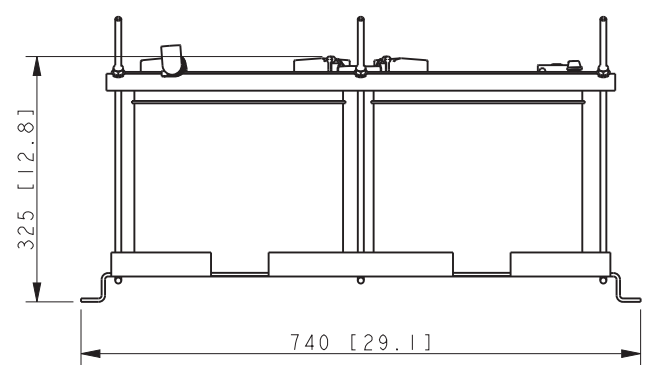
NOTE:
FOR PLAN VIEW SHEET I
DIMENSIONS IN [] ARE INCH EQUIVALENTS
REMOTE RADIATOR MAX GENSET WEIGHT (WET): 13475 KG [29700 LBS]
IF IBC CERTIFICATION IS REQUIRED. SEE SEISMIC ADV FOR INSTALLATION INSTRUCTIONS.

1750 MODEL 60 HZ
7M4052, 7M4054, 7M4056, 7M4176, 7M4292, 7M4370, 7M4374
2000 MODEL 60 HZ
7M4054, 7M4056, 7M4058, 7M4176, 7M4292, 7M4374
REMOTE RADIATOR
MITSUBISHI TIER II

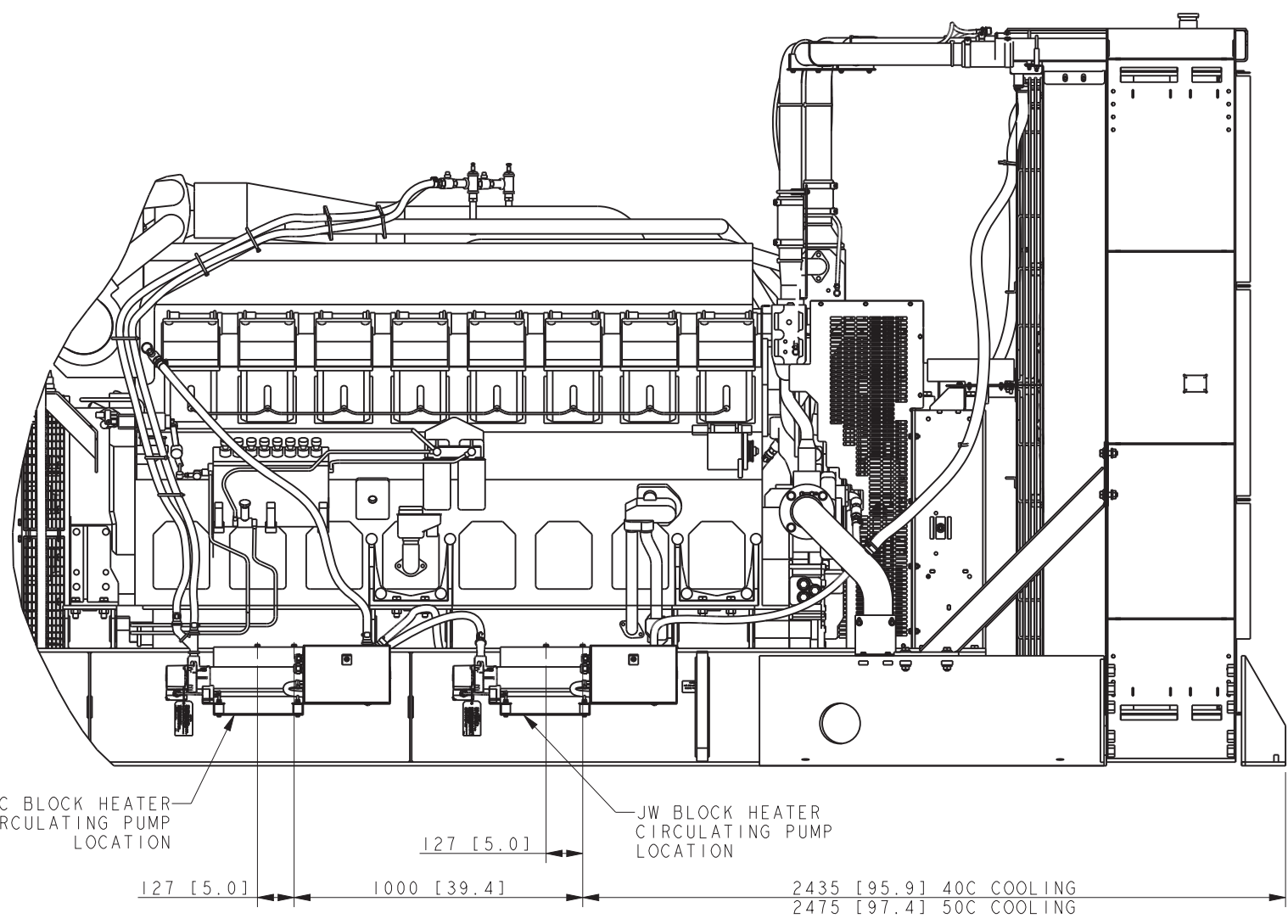
REV	DATE	ON COMPOSITE DWGS. SEE PART NO. FOR REVISION LEVEL	BY	DO NOT SCALE. REFERENCE THE MODEL FOR ALL UNSPECIFIED DIMENSIONS
C	6-2-17	(C-1.3) RAIN CAP REMOVED; (B-1) DIM 2165 WAS 2165; (D-3) DIM 1036 WAS 1152; SEE SHEET 2 [CT174847]	SSD	UNLESS OTHERWISE SPECIFIED: ALL DIMENSIONS IN MILLIMETERS GENERAL TOLERANCES: N/A
D	4-25-19	(C-2) 1139 [44.8] WAS 1158 [45.6], 1137 [44.8] WAS 1036 [40.8], 869 [34.2] WAS 1088 [42.8]; (A-6) 5685 [223.8] WAS 5743 [226.1], 5520 [217.3] WAS 5578 [219.6]; (B-4) 390 [15.4] DIMENSION ADDED; SEE SHEET 1,2,3,5 & 6 [CT195557]	APB	THIRD ANGLE PROJECTION
E	3APR2023	(B-8) 2563 [100.9] DIMENSION ADDED [CT226059]	APM	APPROVED

APPROVALS	DATE
DRAWN DJV	4-12-11
CHECKED DJV	4-12-11
APPROVED WRD	4-12-11

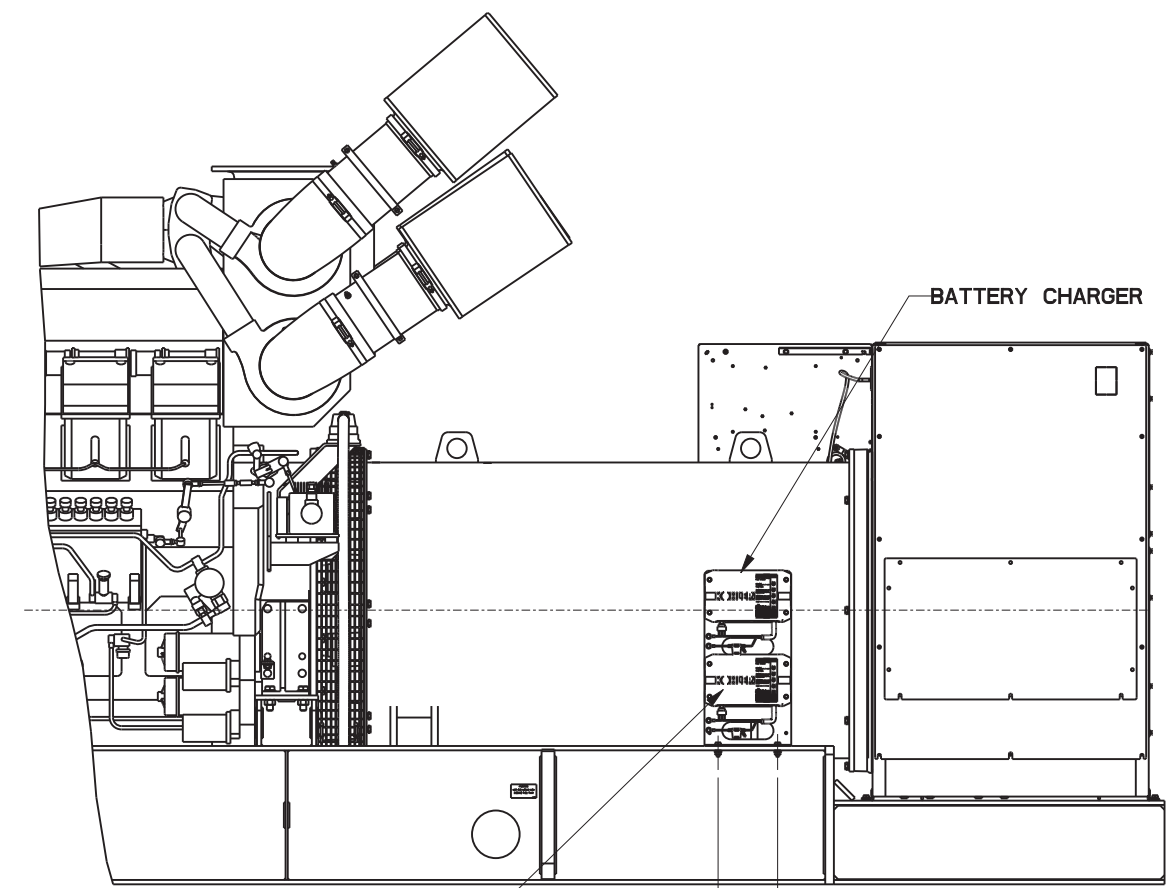
TITLE	DIMENSION PRINT, 1750/2000REOZMD		
SCALE	0.07	CAD NO.	SHEET 4 of 6
DWG NO.	ADV-8180		D



BATTERY AND BATTERY RACK (2-REQ'D)
SCALE 0.20



127 [5.0] 1000 [39.4] 2435 [95.9] 40C COOLING
127 [5.0] 2475 [97.4] 50C COOLING

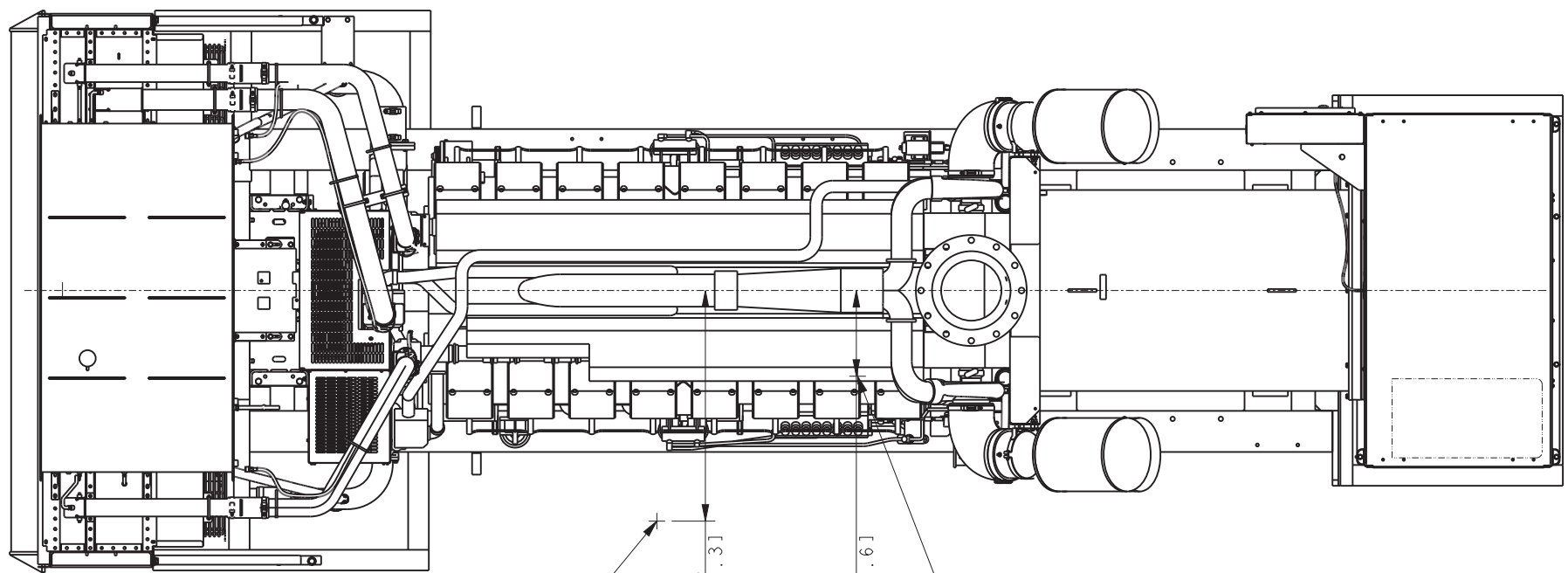


175 [6.9] 1137 [44.8]

NOTE:
DIMENSIONS IN [] ARE INCH EQUIVALENTS
IF IBC CERTIFICATION IS REQUIRED, SEE SEISMIC ADV FOR INSTALLATION INSTRUCTIONS.

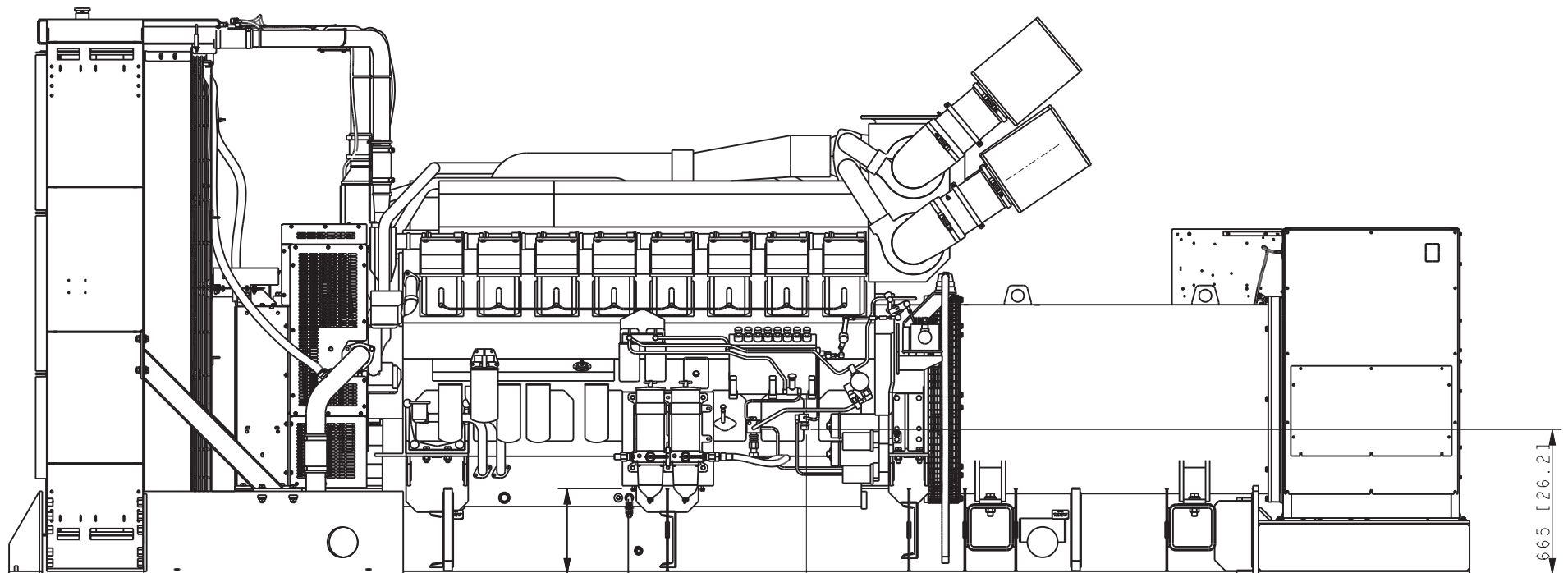
1750 MODEL 60 HZ
7M4052, 7M4054, 7M4056, 7M4176, 7M4292, 7M4370, 7M4374
2000 MODEL 60 HZ
7M4054, 7M4056, 7M4058, 7M4176, 7M4292, 7M4374
40C & 50C COOLING SYSTEM
MITSUBISHI TIER II

REV	DATE	ON COMPOSITE DWGS. SEE PART NO. FOR REVISION LEVEL	BY	DO NOT SCALE. REFERENCE THE MODEL FOR ALL UNSPECIFIED DIMENSIONS
B	2-9-12	SEE SHEET 1, 3 & 4 [CT05336]	CEK	UNLESS OTHERWISE SPECIFIED: ALL DIMENSIONS IN MILLIMETERS GENERAL TOLERANCES: N/A
C	6-2-17	SEE SHEET 2 & 4 [CT174847]	SSD	
D	4-25-19	(D-6) 740 [29.1] WAS 685 [26.99]; (A-6) 2435 [95.9] WAS 2443 [96.2], 2475 [97.4] WAS 2483 [97.8]; (B-2) BATTERY CHARGER ASSEMBLY & VIEW UPDATED; (A-2) 1137 [44.8] WAS 1147 [45.2]; SEE SHEET 1, 2, 3, 4 & 6 [CT195557]	APB	
E	3APR2023	SEE SHEET 4 [CT226059]	APM	
				THIRD ANGLE PROJECTION
				APPROVALS DATE
				DRAWN DJV 4-12-11
				CHECKED DJV 4-12-11
				APPROVED WRD 4-12-11
				TITLE DIMENSION PRINT, 1750/2000REOZMD
				SCALE 0.09 CAD NO. SHEET 5 of 6
				DWG NO. ADV-8180 D



3/4" N.P.T. FUEL INLET CONNECTION

998 [39.3]
371 [14.6] FUEL RETURN
OPTIONAL FUEL INLET AND RETURN LOCATIONS



2851 [112.2] 40C COOLING
2891 [113.8] 50C COOLING
FUEL/WATER SEPARATOR INLET

394 [15.5]

3671 [144.5] 40C COOLING
3711 [146.1] 50C COOLING
FUEL RETURN

FUEL AND WATER SEPARATOR

FUEL/WATER SEPARATOR

665 [26.2]

NOTE:
DIMENSIONS IN [] ARE INCH EQUIVALENTS
IF IBC CERTIFICATION IS REQUIRED, SEE SEISMIC ADV FOR INSTALLATION INSTRUCTIONS.

1750 MODEL 60 HZ
7M4052, 7M4054, 7M4056, 7M4176, 7M4292, 7M4370, 7M4374
2000 MODEL 60 HZ
7M4054, 7M4056, 7M4058, 7M4176, 7M4292, 7M4374
40C & 50C COOLING SYSTEM
MITSUBISHI TIER II

REV	DATE	ON COMPOSITE DWGS. SEE PART NO. FOR REVISION LEVEL	BY	DO NOT SCALE. REFERENCE THE MODEL FOR ALL UNSPECIFIED DIMENSIONS																		
B	2-9-12	SEE SHEET 1, 3 & 4 [CT05536]	CEK	UNLESS OTHERWISE SPECIFIED: ALL DIMENSIONS IN MILLIMETERS GENERAL TOLERANCES: N/A																		
C	6-2-17	SEE SHEET 2 & 4 [CT174847]	SSD																			
D	4-26-19	(C-5,6) 998 [39.3] WAS 756 [29.8], 371 [14.6] WAS 348 [13.7]; (A-7) 2851 [112.2] WAS 2887 [113.7], 2891 [113.8] WAS 2927 [1115.2]; (A-6) 394 [15.5] WAS 425 [16.7] SEE SHEET 1, 2, 3, 4 & 5 [CT195557]																				
E	3APR2023	SEE SHEET 4 [CT226059]																				
<table border="1"> <thead> <tr> <th colspan="3">THIRD ANGLE PROJECTION</th> </tr> <tr> <th>APPROVALS</th> <th>DATE</th> <th></th> </tr> </thead> <tbody> <tr> <td>APB</td> <td>DJVD</td> <td>4-12-11</td> </tr> <tr> <td>APM</td> <td>DJVD</td> <td>4-12-11</td> </tr> <tr> <td>CHECKED</td> <td>DJVD</td> <td>4-12-11</td> </tr> <tr> <td>APPROVED</td> <td>WRD</td> <td>4-12-11</td> </tr> </tbody> </table>				THIRD ANGLE PROJECTION			APPROVALS	DATE		APB	DJVD	4-12-11	APM	DJVD	4-12-11	CHECKED	DJVD	4-12-11	APPROVED	WRD	4-12-11	<p>KOHLER. KOHLER, WISCONSIN 53044 THIS DRAWING IN DESIGN AND DETAIL IS KOHLER CO. PROPERTY AND MUST NOT BE USED EXCEPT IN CONNECTION WITH KOHLER CO. WORK. ALL RIGHTS OF DESIGN OR INVENTION ARE RESERVED.</p> <p>TITLE DIMENSION PRINT, 1750/2000REOZMD</p> <p>SCALE 0.07 CAD NO. SHEET 6 of 6 DWG NO. ADV-8180</p>
THIRD ANGLE PROJECTION																						
APPROVALS	DATE																					
APB	DJVD	4-12-11																				
APM	DJVD	4-12-11																				
CHECKED	DJVD	4-12-11																				
APPROVED	WRD	4-12-11																				