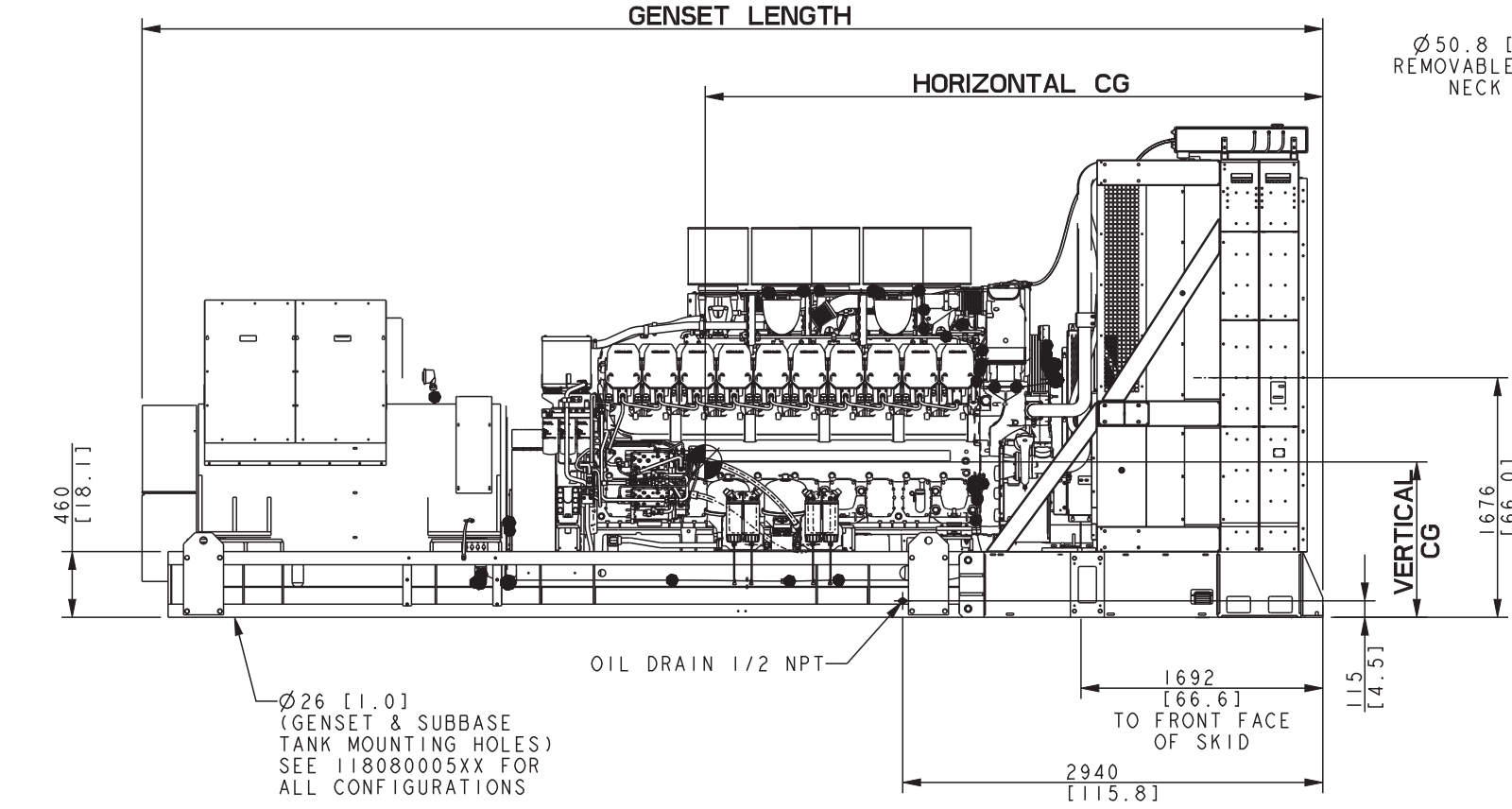
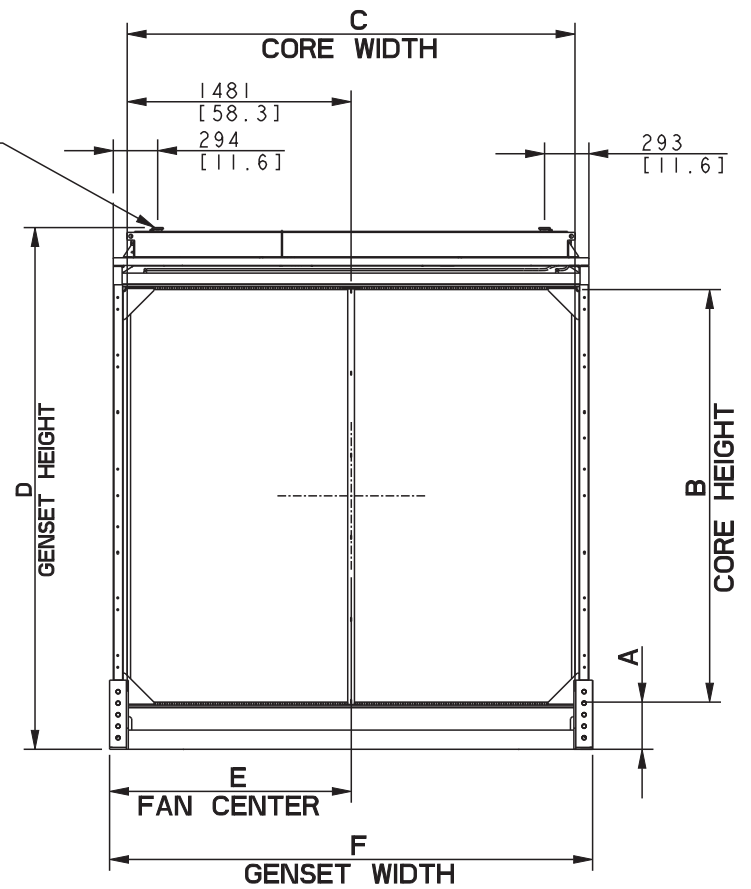


| MODEL | ALTERNATOR | GENSET MAXIMUM WEIGHT (WET) KG [LB] | HORIZONTAL CG (WET) MM [IN] | VERTICAL CG (WET) MM [IN] | GENSET LENGTH MM [IN] |
|------------|-------------|--|--------------------------------|------------------------------|--------------------------|
| 3500 | KH07632T04D | 34239 [75513] | 4103 [161.5] | 1087 [42.8] | 8138 [320.4] |
| 3500, 4000 | KH09370T04D | 35149 [77520] | 4180 [164.5] | 1084 [42.6] | 8201 [322.9] |
| 3500, 4000 | KH10171T04D | 35199 [77631] | 4194 [165.1] | 1083 [42.6] | 8263 [325.3] |
| 3500 | KH08590T04D | 33700 [74295] | 4060 [159.8] | 1090 [42.9] | 8200 [322.9] |
| 3500 | KH09390T04D | 34100 [75178] | 4100 [161.4] | 1090 [42.9] | 8200 [322.9] |

| RADIATOR DIMENSIONS | | | | | | |
|---------------------------|------------------|--------------------|--------------------|-------------------|-------------------|--------------------|
| MODEL | A | B | C | D | E | F |
| ALL KD3500-4000 RADIATORS | 312.0 [12.28] | 2728.7 [107.43] | 2955.8 [116.37] | 3451.0 [135.8] | 1585.7 [62.43] | 3171.5 [124.86] |



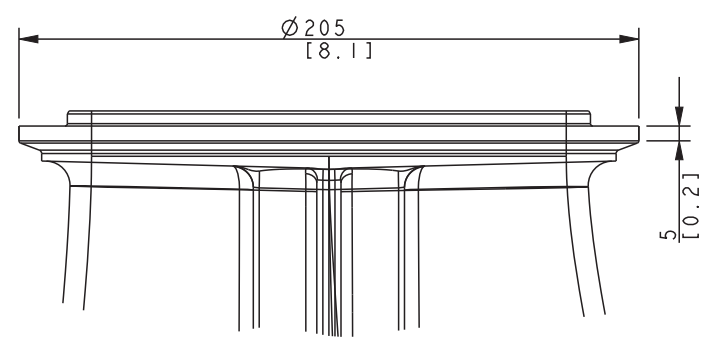
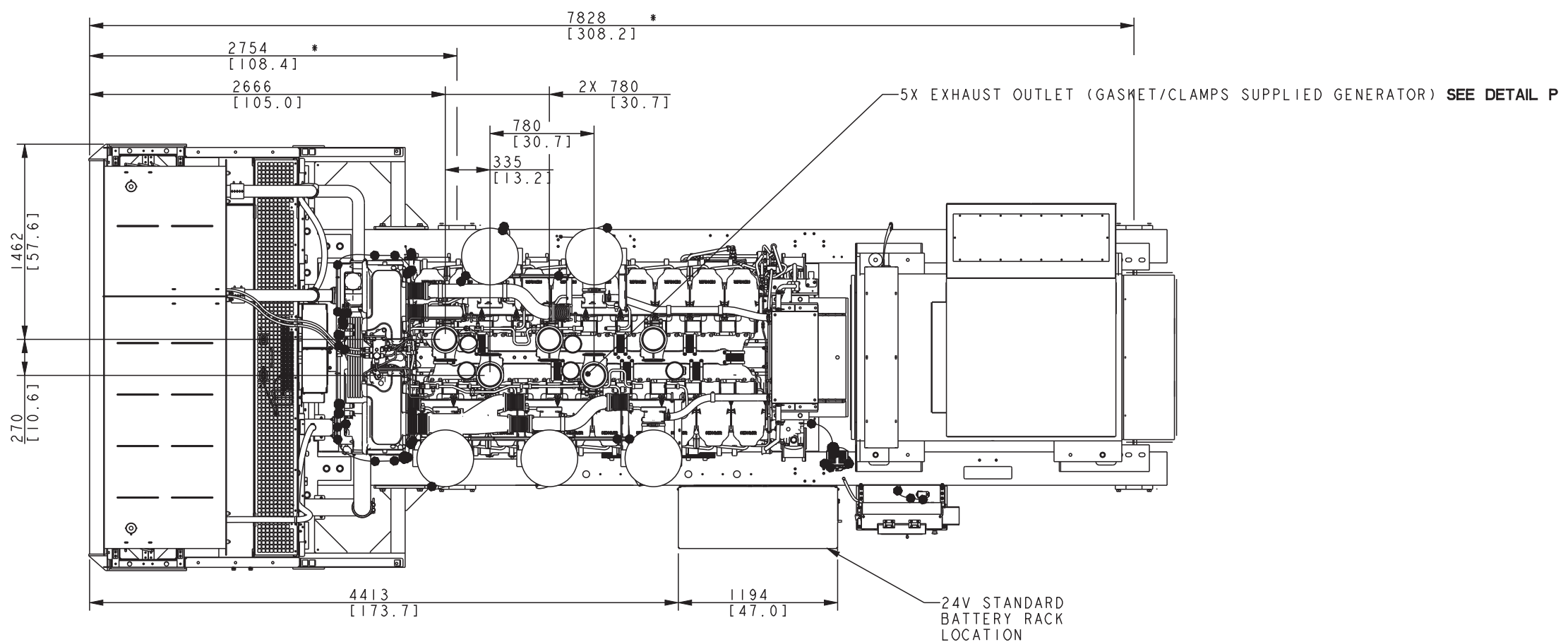
Ø50.8 [2.0"]
REMOVABLE FILL
NECK & CAP



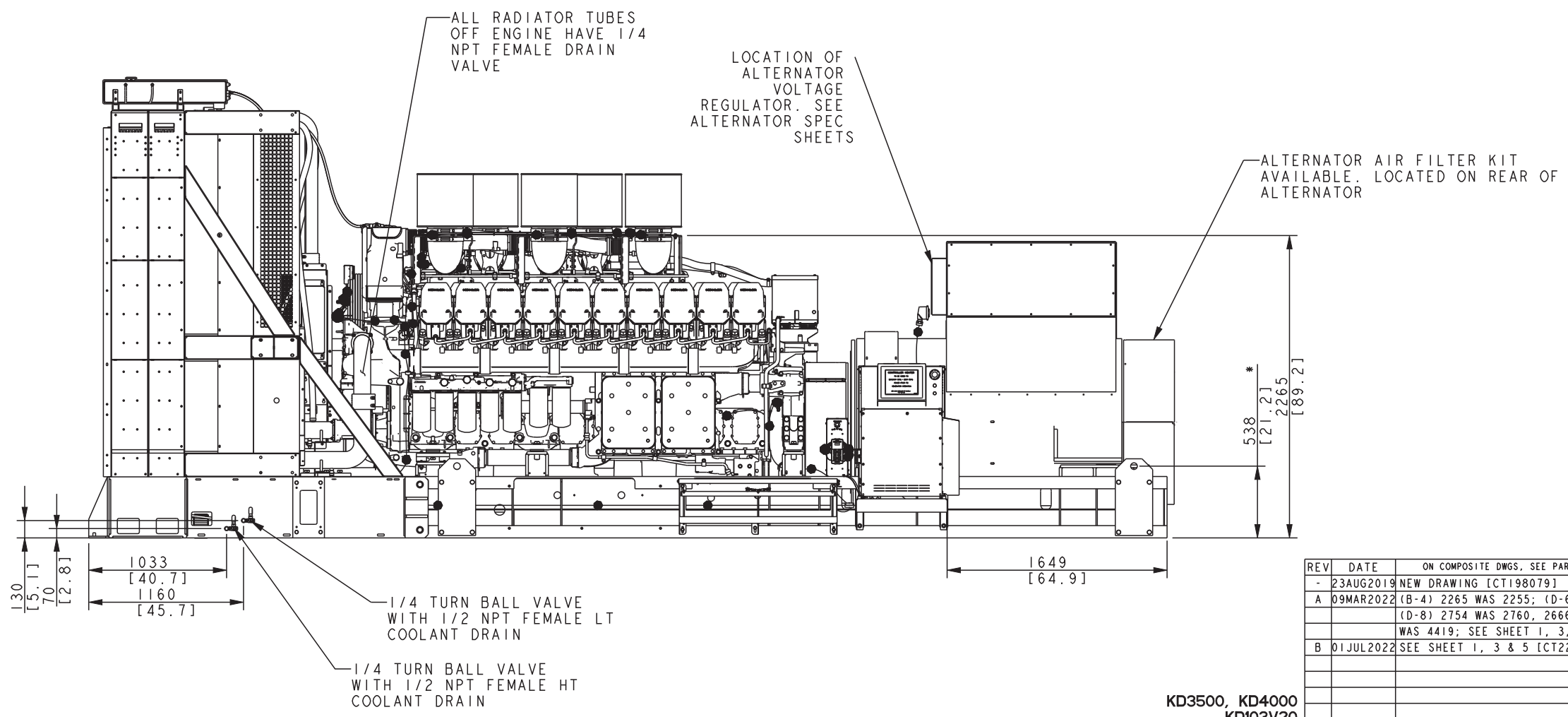
NOTES:
1) DIMENSIONS IN [] ARE ENGLISH EQUIVALENTS.
2) IF IBC OR OSHPD CERTIFICATION IS REQUIRED SEE SEISMIC ADV FOR INSTALLATION INSTRUCTIONS.
3) DUCT FLANGE STANDARD WITH RADIATOR

| REV | DATE | ON COMPOSITE DWGS, SEE PART NO. FOR REVISION LEVEL | BY | DO NOT SCALE. REFERENCE THE MODEL FOR ALL UNSPECIFIED DIMENSIONS |
|---|-----------|---|-----|---|
| - | 23AUG2019 | NEW DRAWING [CT198079] | ARP | UNLESS OTHERWISE SPECIFIED: ALL DIMENSIONS IN MILLIMETERS GENERAL TOLERANCES: XX ± 0.25 X ± 0.5 SURFACE FINISH MAX. ANGLES ± 0°30' |
| A | 09MAR2022 | (D-1) GENSET LENGTH UPDATED; (B-4) 1676 WAS 1681; (A-5) 2940 WAS 2935, 1692 WAS 1719; SEE SHEET 2, 3, 5, 6 & 8 [CT217891] | RVM | |
| B | 01JUL2022 | (D-4) KH08590T04D & KH09390T04D ADDED; SEE SHEET 3 & 5 [CT220352] | RVM | |
| | | | | |
| APPROVALS DRAWN ARP 23AUG2019 CHECKED DJV 23AUG2019 APPROVED JCI 23AUG2019 | | | | TITLE DIMENSION PRINT, KD3500-4000 SCALE 0.04 CAD NO. SHEET 1 of 9 ADV-9172 |

KD3500, KD4000
KD103V20



DETAIL P
SCALE 1.0



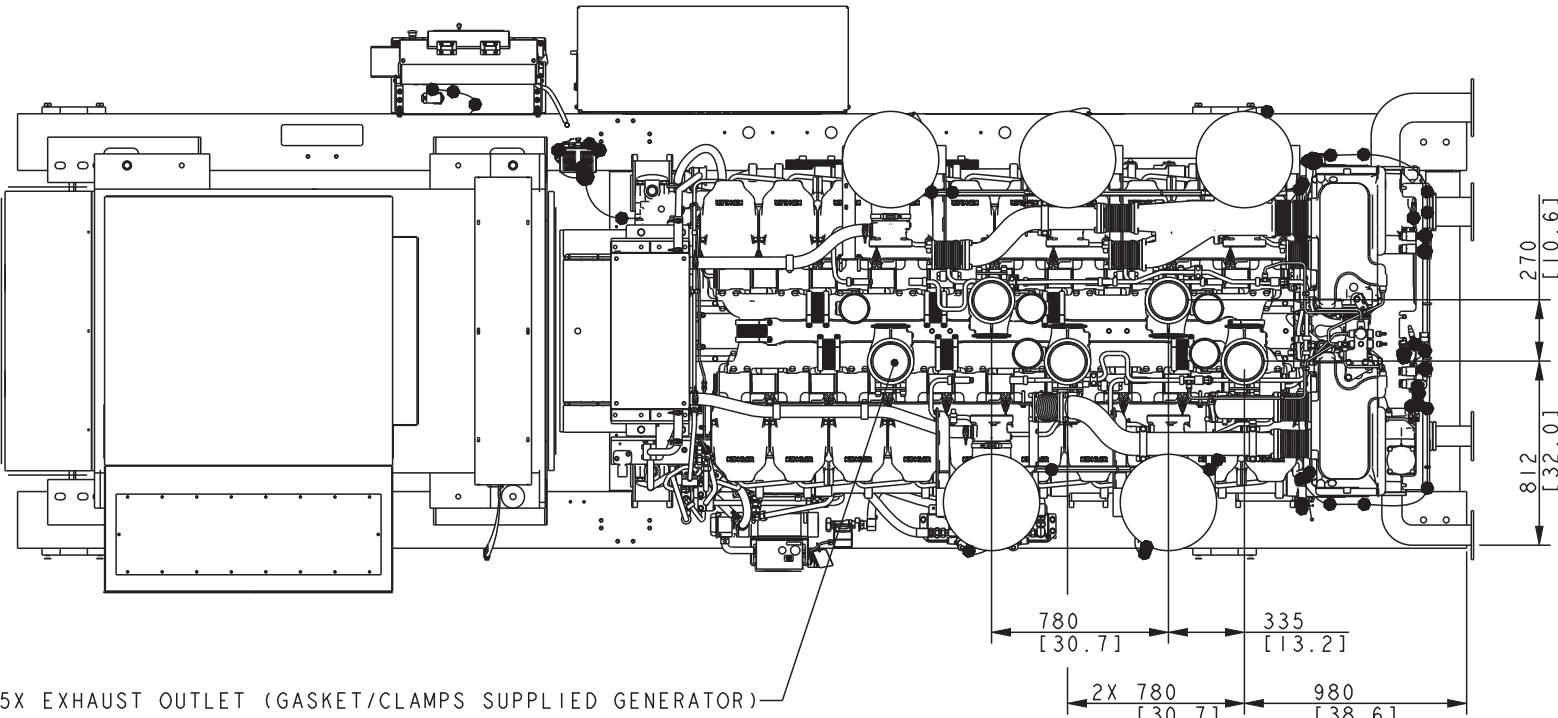
KD3500, KD4000
KD103V20

*GENERATOR LIFT POINTS TO BE USED TO LIFT WITH RADIATOR

| REV | DATE | ON COMPOSITE DWGS, SEE PART NO. FOR REVISION LEVEL | BY | DO NOT SCALE. REFERENCE THE MODEL FOR ALL UNSPECIFIED DIMENSIONS |
|-----|-----------|--|-----|--|
| - | 23AUG2019 | NEW DRAWING [CT198079] | ARP | UNLESS OTHERWISE SPECIFIED: ALL DIMENSIONS IN MILLIMETERS GENERAL TOLERANCES: XX ± 0.25 X ± 1.0 SURFACE FINISH X ± 1.5 MAX. ANGLES ± 0°30' |
| A | 09MAR2022 | (B-4) 2265 WAS 2255; (D-6) 7828 WAS 7834; (D-8) 2754 WAS 2760, 2666 WAS 2672; (C-7) 4413 WAS 4419; SEE SHEET 1, 3, 5, 6 & 8 [CT217891] | RVM | THIRD ANGLE PROJECTION |
| B | 01JUL2022 | SEE SHEET 1, 3 & 5 [CT220352] | RVM | |

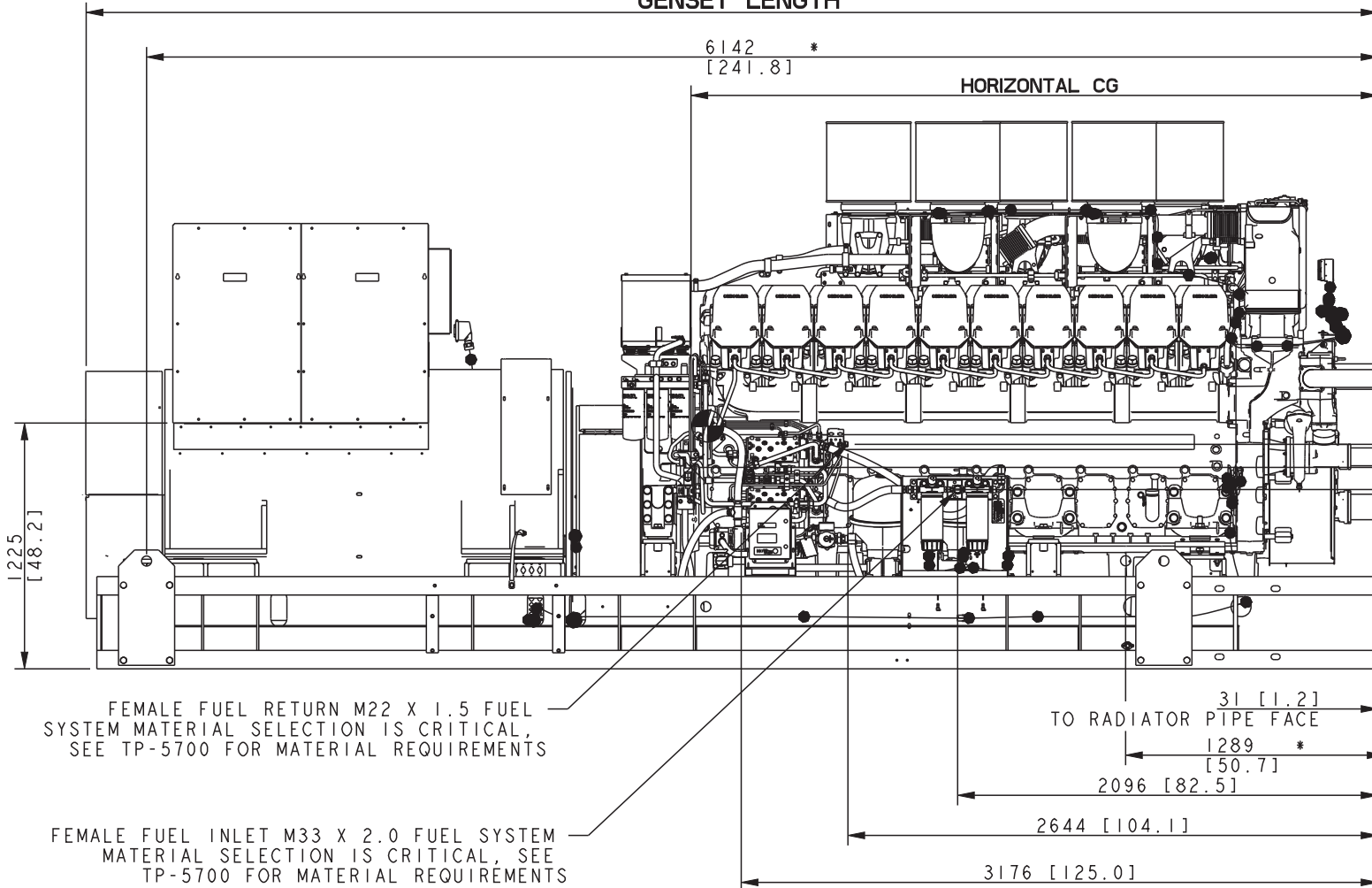
| | | | |
|--------------|-----------|------------------------------|---------|
| APPROVALS | DATE | TITLE | |
| DRAWN ARP | 23AUG2019 | DIMENSION PRINT, KD3500-4000 | |
| CHECKED DJV | 23AUG2019 | SCALE 0.05 | CAD NO. |
| APPROVED JCI | 23AUG2019 | ADV-9172 | |

SHEET 2 of 9



5X EXHAUST OUTLET (GASKET/CLAMPS SUPPLIED GENERATOR)
SEE DETAIL P

GENSET LENGTH



FEMALE FUEL RETURN M22 X 1.5 FUEL SYSTEM MATERIAL SELECTION IS CRITICAL, SEE TP-5700 FOR MATERIAL REQUIREMENTS

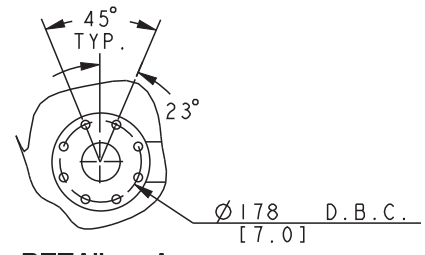
FEMALE FUEL INLET M33 X 2.0 FUEL SYSTEM MATERIAL SELECTION IS CRITICAL, SEE TP-5700 FOR MATERIAL REQUIREMENTS

31 [1.2]
TO RADIATOR PIPE FACE
1289 *
[50.7]
2096 [82.5]

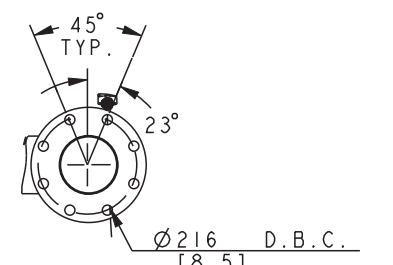
2644 [104.1]

3176 [125.0]

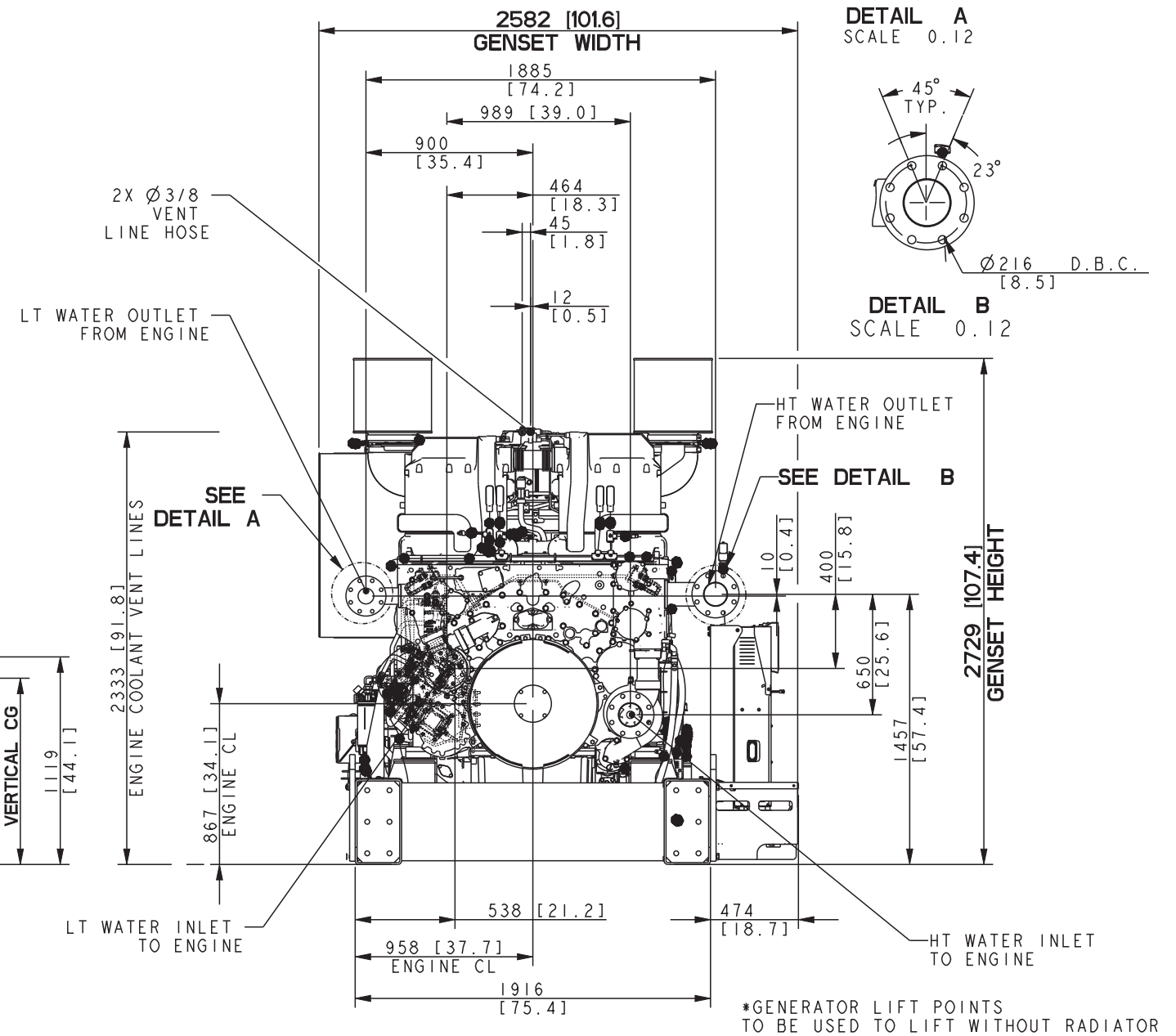
| MODEL | ALTERNATOR | GENSET MAXIMUM WEIGHT (WET) KG [LB] | HORIZONTAL CG (WET) MM [IN] | VERTICAL CG (WET) MM [IN] | GENSET LENGTH |
|------------|-------------|-------------------------------------|-----------------------------|---------------------------|---------------|
| 3500 | KH07632T04D | 27963 [61672] | 3203 [126.1] | 1011 [39.8] | 6445 [253.7] |
| 3500, 4000 | KH09370T04D | 28873 [63679] | 3273 [128.8] | 1008 [39.7] | 6509 [256.2] |
| 3500, 4000 | KH10171T04D | 28923 [63789] | 3289 [129.5] | 1008 [39.7] | 6572 [258.7] |
| 3500 | KH08590T04D | 27400 [74295] | 3170 [124.8] | 1010 [39.8] | 6510 [256.3] |
| 3500 | KH09390T04D | 27800 [75178] | 3200 [126.0] | 1010 [39.8] | 6510 [256.3] |



DETAIL A
SCALE 0.12



DETAIL B
SCALE 0.12



2X Ø3/8 VENT LINE HOSE

LT WATER OUTLET FROM ENGINE

SEE DETAIL A

HT WATER OUTLET FROM ENGINE

SEE DETAIL B

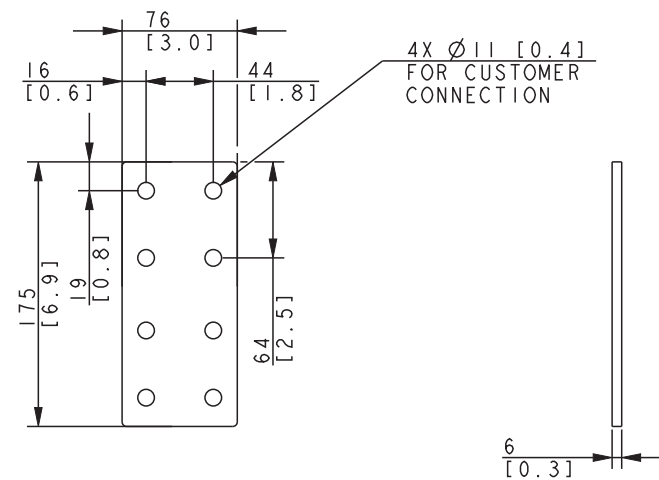
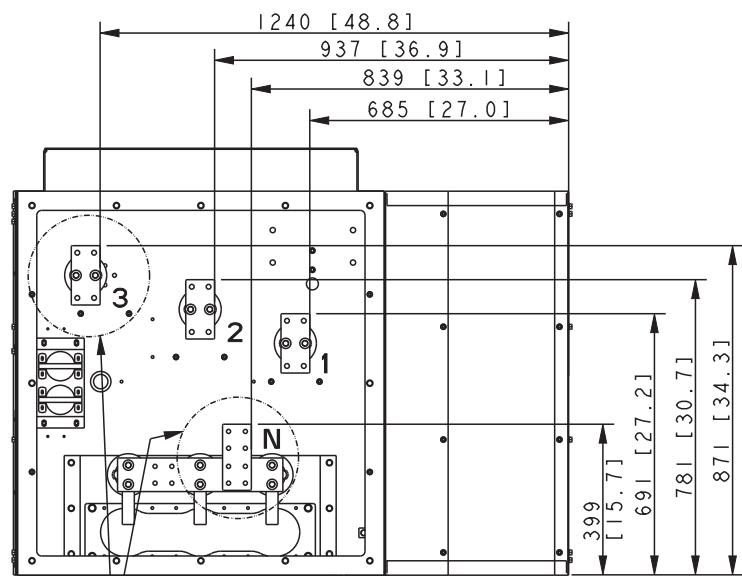
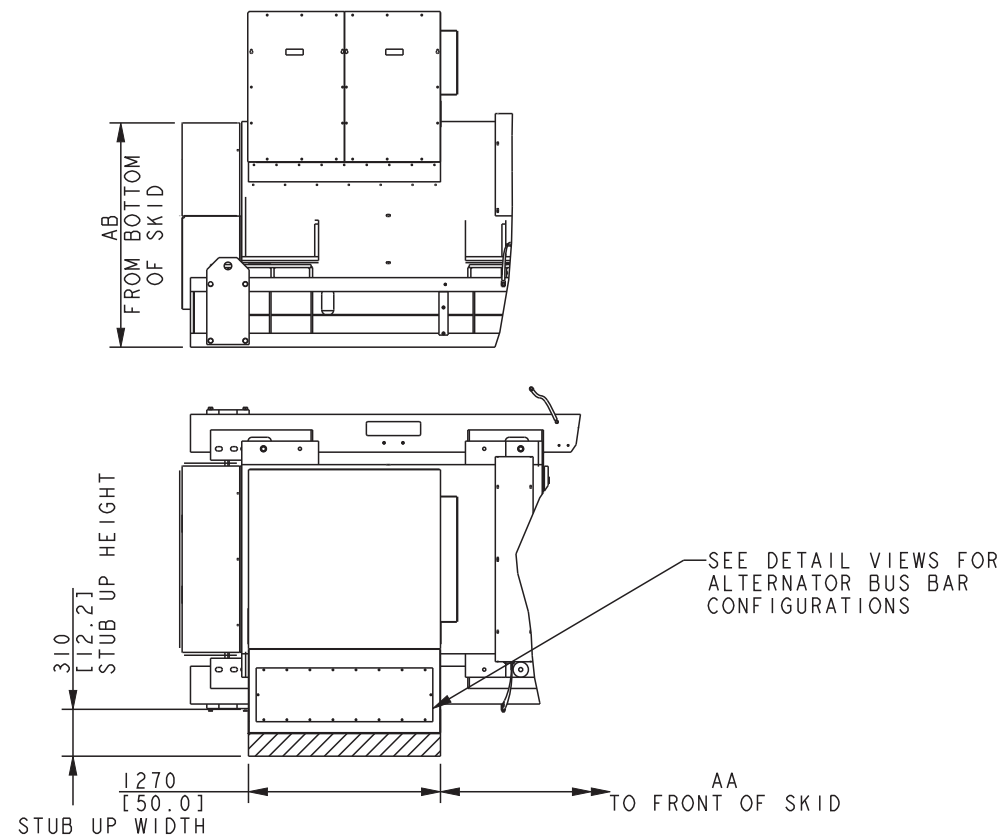
LT WATER INLET TO ENGINE

HT WATER INLET TO ENGINE

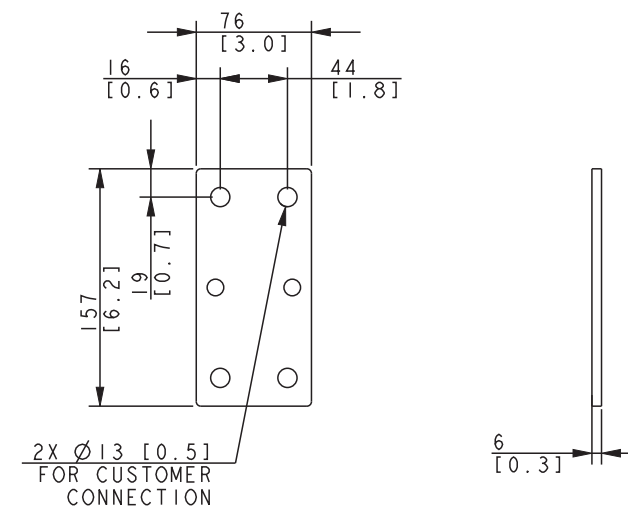
*GENERATOR LIFT POINTS TO BE USED TO LIFT WITHOUT RADIATOR

REMOTE RADIATOR
KD3500, KD4000
KD103V20

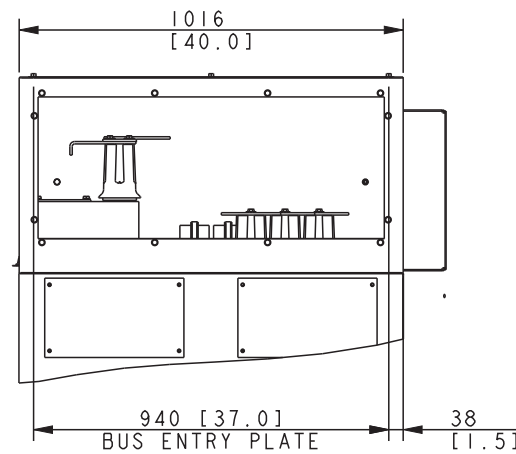
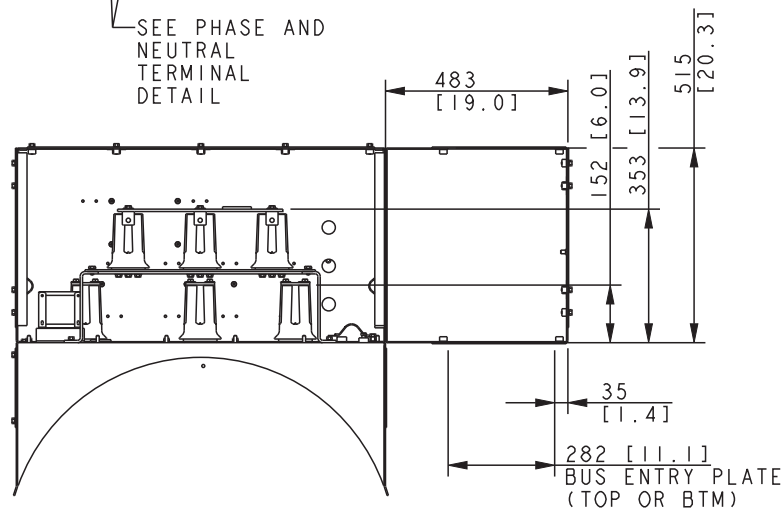
| REV | DATE | ON COMPOSITE DWGS, SEE PART NO. FOR REVISION LEVEL | BY | DO NOT SCALE, REFERENCE THE MODEL FOR ALL UNSPECIFIED DIMENSIONS |
|---|-----------|--|-----|---|
| - | 23AUG2019 | NEW DRAWING [CT198079] | ARP | ALL DIMENSIONS IN MILLIMETERS GENERAL TOLERANCES: X.XX ± 0.25 X.X ± 0.5 X ± 1.5 ANGLES ± 0°30' SURFACE FINISH MAX. THIRD ANGLE PROJECTION |
| A | 09MAR2022 | (A-5) 2644 ADDED & 2096 WAS 2035; (B-4) 1119 ADDED & 894 WAS 823; (A-2) 538 ADDED; (C-6) 6142 WAS 6334; (D-1) GENSET LENGTHS UPDATED SEE SHEET 1, 2, 5, 6 & 8 [CT217891] | | |
| B | 01JUL2022 | (D-3) KH08590T04D & KH09390T04D ADDED; SEE SHEET 1 & 5 [CT220352] | | |
| | | | | |
| | | | | |
| APPROVALS DRAWN ARP 23AUG2019 CHECKED DJV 23AUG2019 APPROVED JCI 23AUG2019 | | | | TITLE COHLER. KOHLER, WISCONSIN 53044 THIS DRAWING IN DESIGN AND DETAIL IS KOHLER CO. PROPERTY AND MUST NOT BE USED EXCEPT IN CONNECTION WITH KOHLER CO. WORK. ALL RIGHTS OF DESIGN OR INVENTION ARE RESERVED. DIMENSION PRINT, KD3500-4000 SCALE 0.06 CAD NO. SHEET 3 of 9 ADV-9172 |



NEUTRAL TERMINAL DETAIL

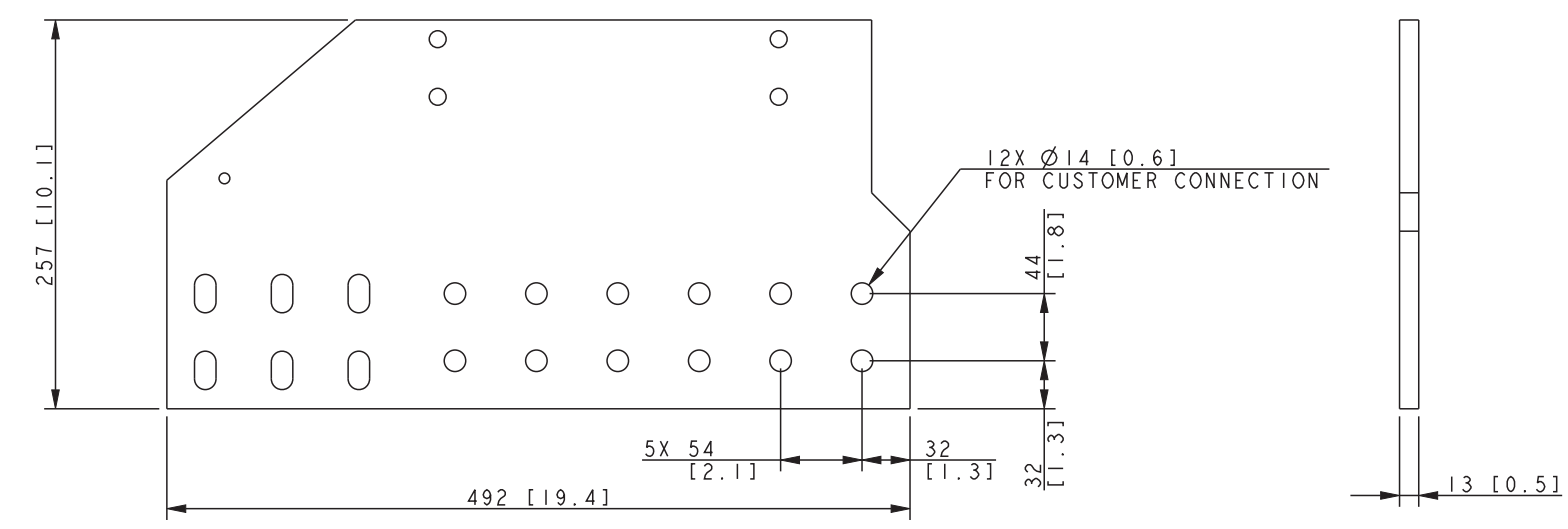
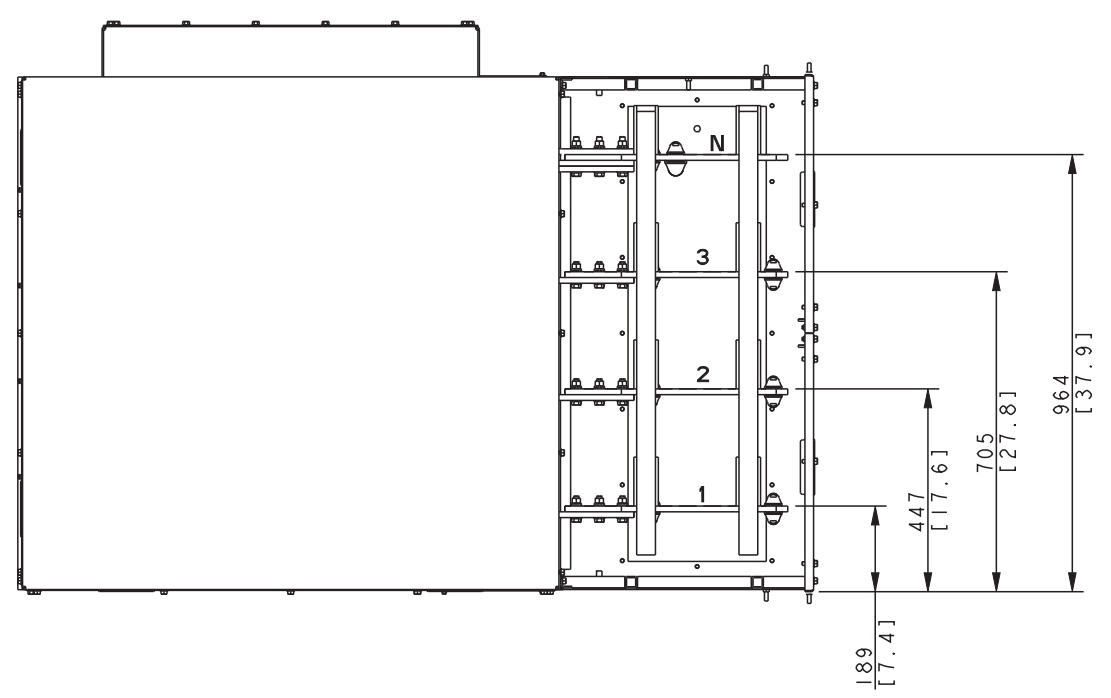


PHASE TERMINAL DETAIL

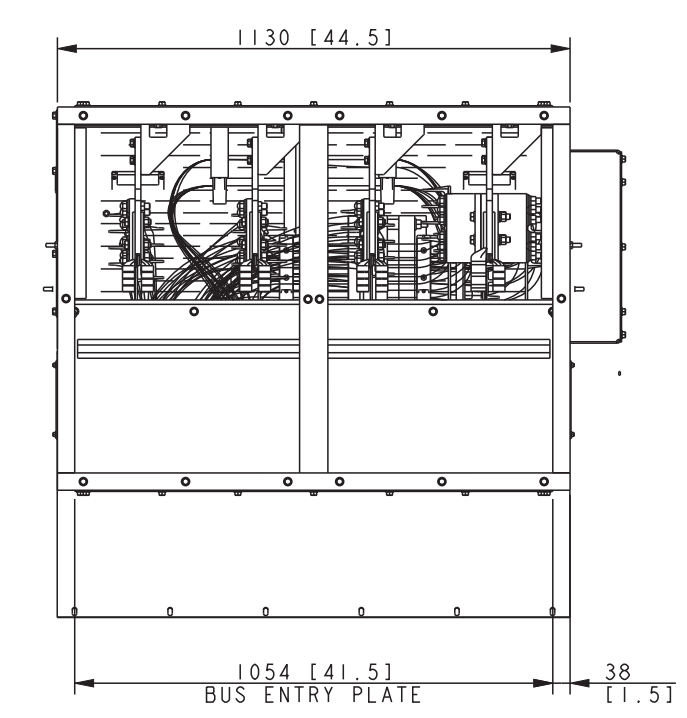
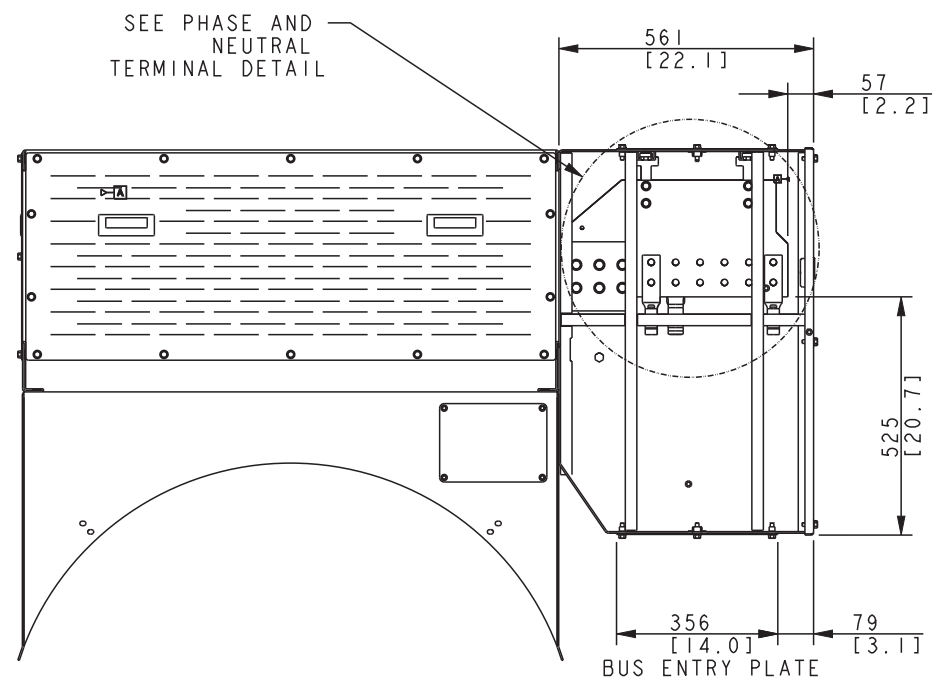


| MEDIUM VOLTAGE (3300V-4160V) | | |
|------------------------------|------------|-----------|
| ALTERNATOR | AA | AB |
| KH07632T04D | 4736 [186] | 1219 [48] |
| KH09370T04D | 4801 [189] | 1222 [48] |
| KH10171T04D | 4863 [191] | 1222 [48] |

| REV | DATE | ON COMPOSITE DWGS, SEE PART NO. FOR REVISION LEVEL | BY | DO NOT SCALE. REFERENCE THE MODEL FOR ALL UNSPECIFIED DIMENSIONS | | | | | | | | |
|---|-----------|--|-----|--|------|-----------|-----------|-------------|-----------|--------------|-----------|--|
| - | 23AUG2019 | NEW DRAWING [CT198079] | ARP | UNLESS OTHERWISE SPECIFIED: ALL DIMENSIONS IN MILLIMETERS GENERAL TOLERANCES: XX ± 0.25 X ± 1.0 SURFACE FINISH X ± 1.5 MAX. ANGLES ± 0°30' | | | | | | | | |
| A | 09MAR2022 | SEE SHEET 1, 2, 3, 5, 6 & 8 [CT217891] | RVM | | | | | | | | | |
| B | 01JUL2022 | SEE SHEET 1, 3 & 5 [CT220352] | RVM | | | | | | | | | |
| <table border="1"> <thead> <tr> <th>APPROVALS</th> <th>DATE</th> </tr> </thead> <tbody> <tr> <td>DRAWN ARP</td> <td>23AUG2019</td> </tr> <tr> <td>CHECKED DJV</td> <td>23AUG2019</td> </tr> <tr> <td>APPROVED JCI</td> <td>23AUG2019</td> </tr> </tbody> </table> | | | | APPROVALS | DATE | DRAWN ARP | 23AUG2019 | CHECKED DJV | 23AUG2019 | APPROVED JCI | 23AUG2019 | KOHLER KOHLER, WISCONSIN 53044 THIS DRAWING IN DESIGN AND DETAIL IS KOHLER CO. PROPERTY AND MUST NOT BE USED EXCEPT IN CONNECTION WITH KOHLER CO. WORK. ALL RIGHTS OF DESIGN OR INVENTION ARE RESERVED. TITLE DIMENSION PRINT, KD3500-4000 SCALE 0.04 CAD NO. SHEET 4 of 9 ADV-9172 |
| APPROVALS | DATE | | | | | | | | | | | |
| DRAWN ARP | 23AUG2019 | | | | | | | | | | | |
| CHECKED DJV | 23AUG2019 | | | | | | | | | | | |
| APPROVED JCI | 23AUG2019 | | | | | | | | | | | |



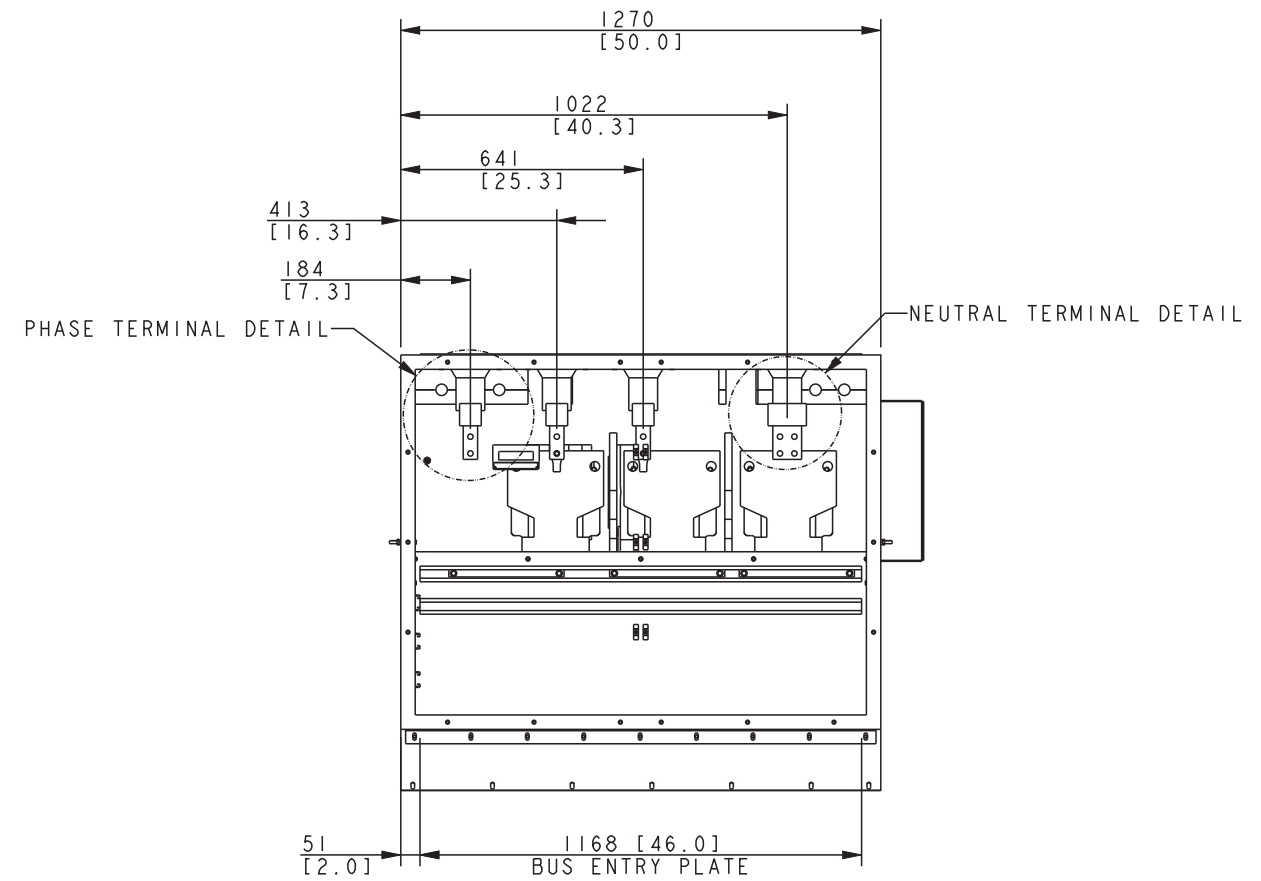
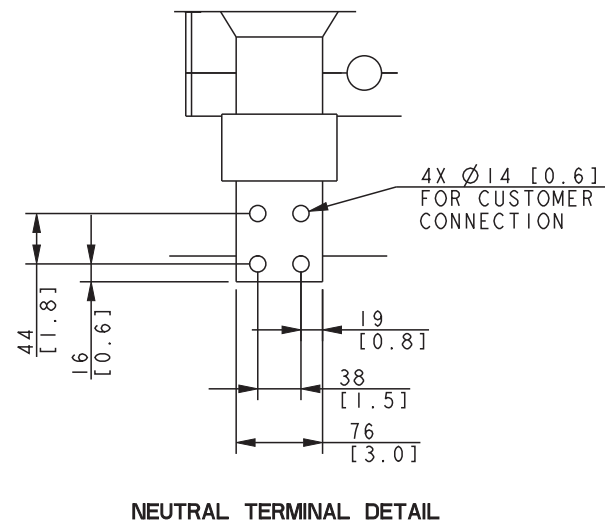
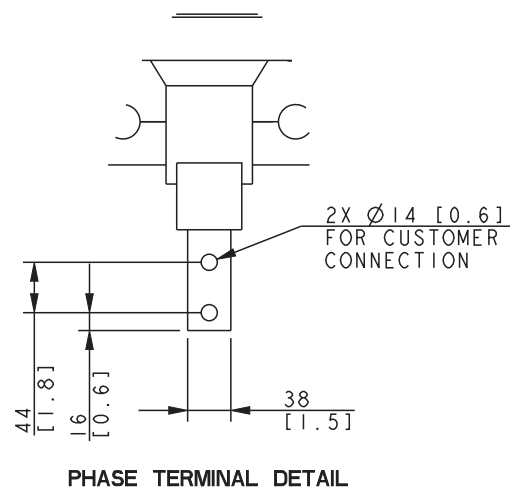
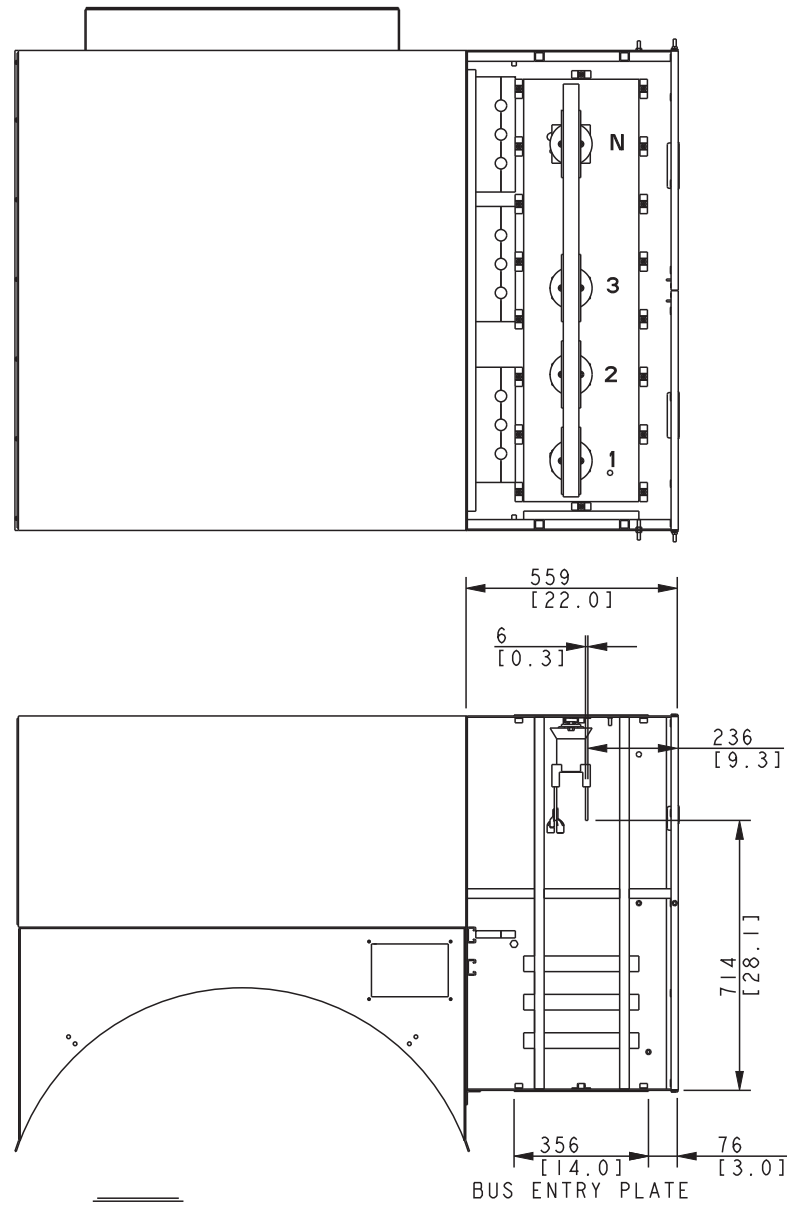
PHASE AND NEUTRAL TERMINAL DETAIL



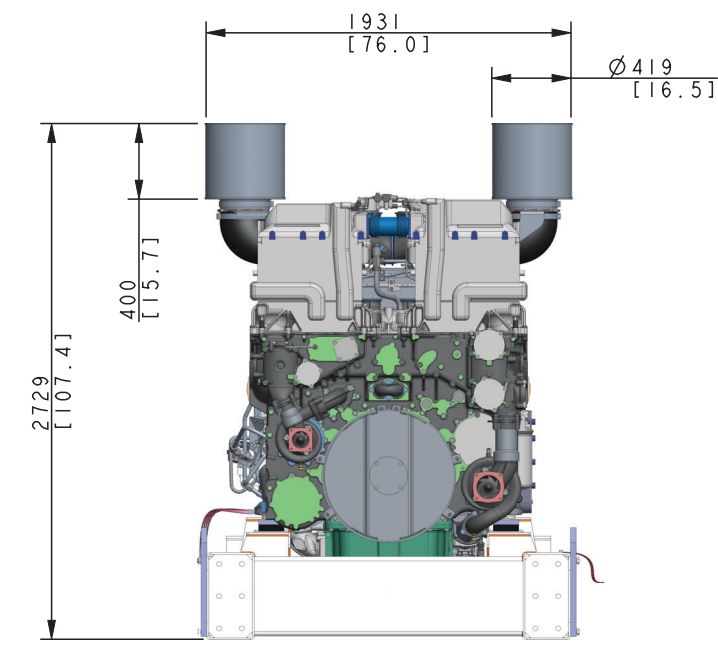
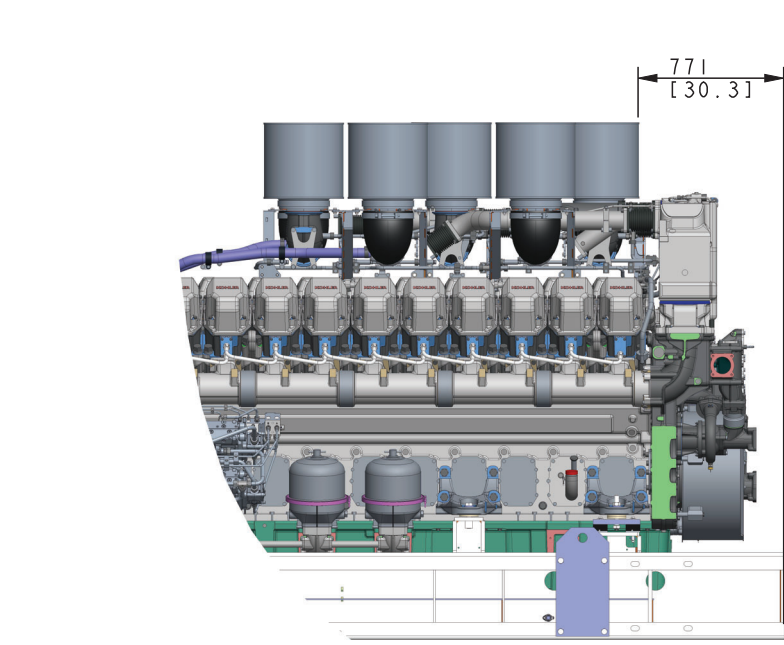
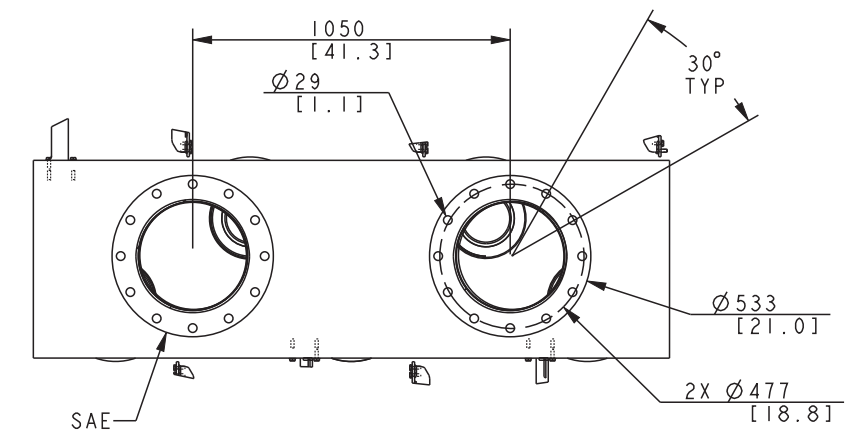
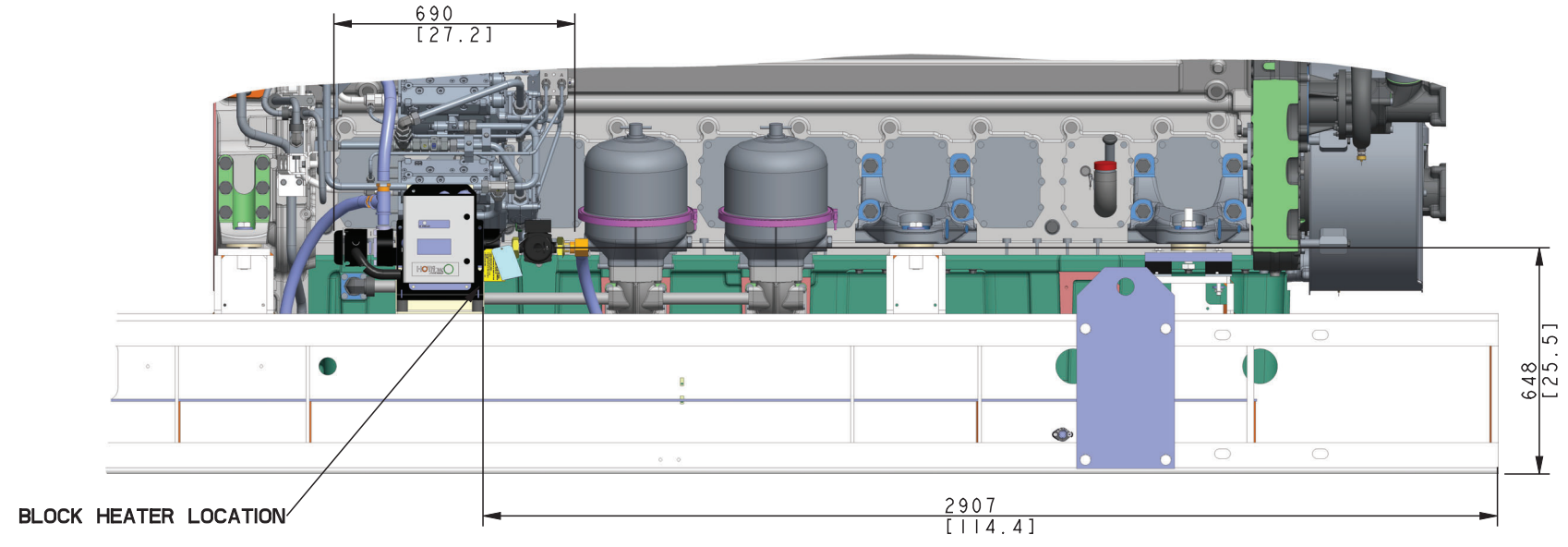
| LOW VOLTAGE (380V- 600V) | | |
|--------------------------|------------|-----------|
| MODEL | AA | AB |
| KH08590T04D | 4938 [194] | 1339 [53] |
| KH09390T04D | 5002 [197] | 1339 [53] |

| REV | DATE | ON COMPOSITE DWGS, SEE PART NO. FOR REVISION LEVEL | BY | DO NOT SCALE. REFERENCE THE MODEL FOR ALL UNSPECIFIED DIMENSIONS | | | | | | | | | | | | |
|--|-----------|---|-----|---|--|------|-----------|-----------|------------------------------|-----------|--------------|-----------|--------------|--|----------|--|
| A | 09MAR2022 | LOW VOLTAGE VIEWS ADDED [CT217891] | RVM | UNLESS OTHERWISE SPECIFIED: ALL DIMENSIONS IN MILLIMETERS GENERAL TOLERANCES: XX ± 0.25 X ± 1.0 SURFACE FINISH X ± 1.5 ANGLES ± 0°30' MAX. THIRD ANGLE PROJECTION | | | | | | | | | | | | |
| B | 01JUL2022 | ALL VIEWS AND TABLE UPDATED; SEE SHEET 1 & 3 [CT220352] | RVM | | | | | | | | | | | | | |
| | | | | <table border="1"> <tr> <th>APPROVALS</th> <th>DATE</th> </tr> <tr> <td>DRAWN ARP</td> <td>17MAR2022</td> </tr> <tr> <td>CHECKED DJV</td> <td>17MAR2022</td> </tr> <tr> <td>APPROVED JCI</td> <td>17MAR2022</td> </tr> </table> | APPROVALS | DATE | DRAWN ARP | 17MAR2022 | CHECKED DJV | 17MAR2022 | APPROVED JCI | 17MAR2022 | | | | |
| APPROVALS | DATE | | | | | | | | | | | | | | | |
| DRAWN ARP | 17MAR2022 | | | | | | | | | | | | | | | |
| CHECKED DJV | 17MAR2022 | | | | | | | | | | | | | | | |
| APPROVED JCI | 17MAR2022 | | | | | | | | | | | | | | | |
| | | | | <table border="1"> <tr> <td colspan="2"> KOHLER KOHLER, WISCONSIN 53044 THIS DRAWING IN DESIGN AND DETAIL IS KOHLER CO. PROPERTY AND MUST NOT BE USED EXCEPT IN CONNECTION WITH KOHLER CO. WORK. ALL RIGHTS OF DESIGN OR INVENTION ARE RESERVED. </td> </tr> <tr> <td colspan="2">TITLE</td> </tr> <tr> <td colspan="2">DIMENSION PRINT, KD3500-4000</td> </tr> <tr> <td>SCALE 0.04</td> <td>CAD NO.</td> </tr> <tr> <td colspan="2">SHEET 5 of 9</td> </tr> <tr> <td colspan="2">ADV-9172</td> </tr> </table> | KOHLER KOHLER, WISCONSIN 53044 THIS DRAWING IN DESIGN AND DETAIL IS KOHLER CO. PROPERTY AND MUST NOT BE USED EXCEPT IN CONNECTION WITH KOHLER CO. WORK. ALL RIGHTS OF DESIGN OR INVENTION ARE RESERVED. | | TITLE | | DIMENSION PRINT, KD3500-4000 | | SCALE 0.04 | CAD NO. | SHEET 5 of 9 | | ADV-9172 | |
| KOHLER KOHLER, WISCONSIN 53044 THIS DRAWING IN DESIGN AND DETAIL IS KOHLER CO. PROPERTY AND MUST NOT BE USED EXCEPT IN CONNECTION WITH KOHLER CO. WORK. ALL RIGHTS OF DESIGN OR INVENTION ARE RESERVED. | | | | | | | | | | | | | | | | |
| TITLE | | | | | | | | | | | | | | | | |
| DIMENSION PRINT, KD3500-4000 | | | | | | | | | | | | | | | | |
| SCALE 0.04 | CAD NO. | | | | | | | | | | | | | | | |
| SHEET 5 of 9 | | | | | | | | | | | | | | | | |
| ADV-9172 | | | | | | | | | | | | | | | | |

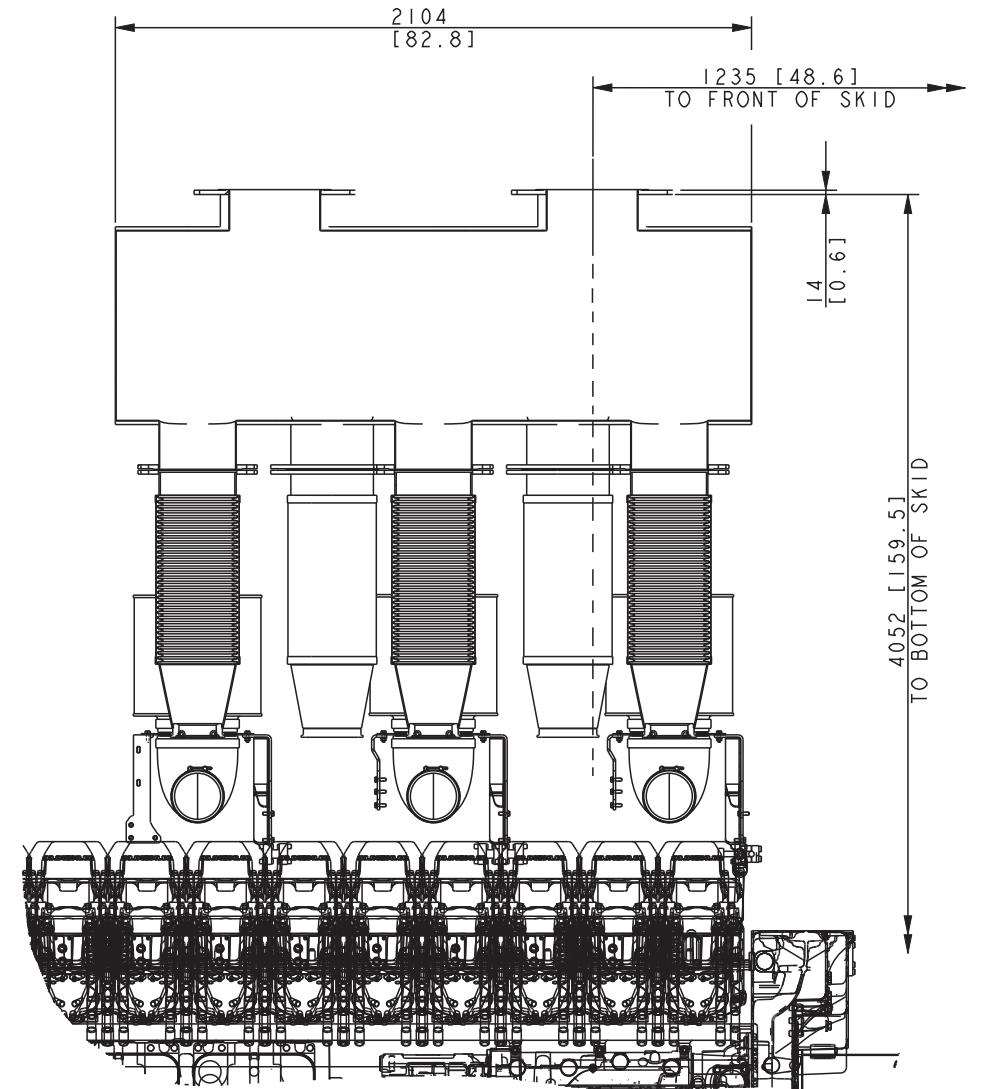
| MODEL | VOLTAGE | AA | AB |
|-------------|--------------------------------|------------|-----------|
| KH07632TO4D | 480V | 4943 [195] | 1483 [58] |
| KH07632TO4D | 600V | 4882 [192] | 1483 [58] |
| KH09370TO4D | 480V, 600V | 4945 [195] | 1483 [58] |
| KH07632TO4D | 6600V | 4736 [186] | 1219 [48] |
| KH07632TO4D | 13800V, 13200V, 12470V, 11000V | 4736 [186] | 1219 [48] |
| KH09370TO4D | 6600V | 4801 [189] | 1222 [48] |
| KH09370TO4D | 13800V, 13200V, 12470V, 11000V | 4801 [189] | 1222 [48] |
| KH10171TO4D | 6600V | 4863 [191] | 1222 [48] |
| KH10171TO4D | 13800V, 13200V, 12470V, 11000V | 4863 [191] | 1222 [48] |



| REV | DATE | ON COMPOSITE DWGS, SEE PART NO. FOR REVISION LEVEL | BY | DO NOT SCALE. REFERENCE THE MODEL FOR ALL UNSPECIFIED DIMENSIONS |
|---|-----------|---|-----|---|
| - | 23AUG2019 | NEW DRAWING [CT198079] | ARP | UNLESS OTHERWISE SPECIFIED: ALL DIMENSIONS IN MILLIMETERS GENERAL TOLERANCES: XX ± 0.25 X ± 1.0 SURFACE FINISH X ± 1.5 MAX. ANGLES ± 0°30' |
| A | 09MAR2022 | (D-2) 480-600V ADDED; SEE SHEET 1, 2, 3, 6 & 8 [CT217891] | RVM | |
| B | 01JUL2022 | SEE SHEET 1, 3 & 5 [CT220352] | RVM | |
| APPROVALS DATE DRAWN ARP 23AUG2019 CHECKED DJV 23AUG2019 APPROVED JCI 23AUG2019 | | | | KOHLER. KOHLER, WISCONSIN 53044 THIS DRAWING IN DESIGN AND DETAIL IS KOHLER CO. PROPERTY AND MUST NOT BE USED EXCEPT IN CONNECTION WITH KOHLER CO. WORK. ALL RIGHTS OF DESIGN OR INVENTION ARE RESERVED. TITLE DIMENSION PRINT, KD3500-4000 SCALE 0.10 CAD NO. SHEET 6 of 9 ADV-9172 |



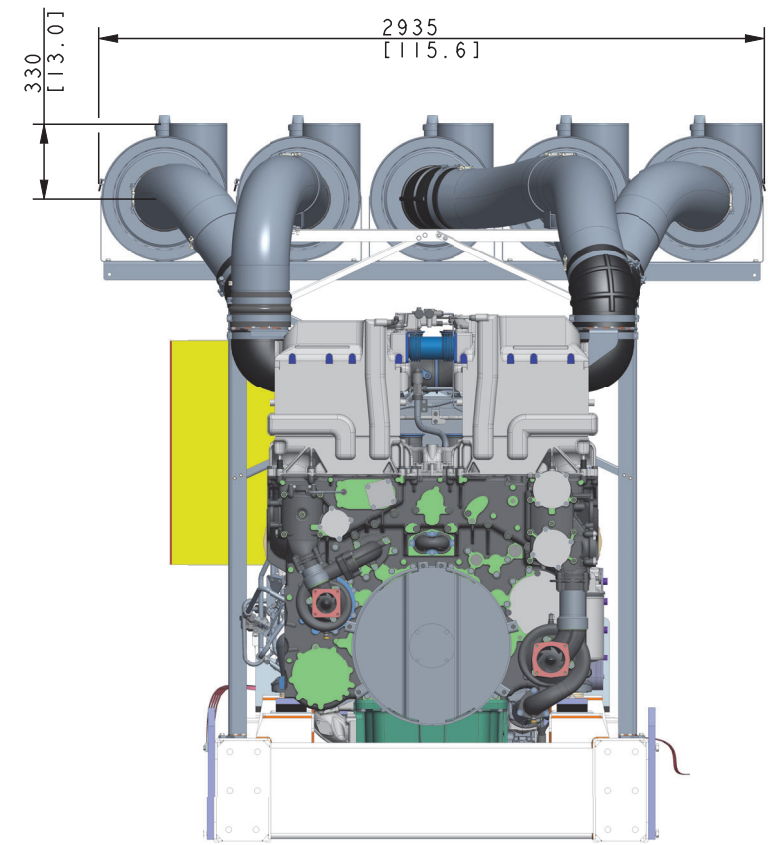
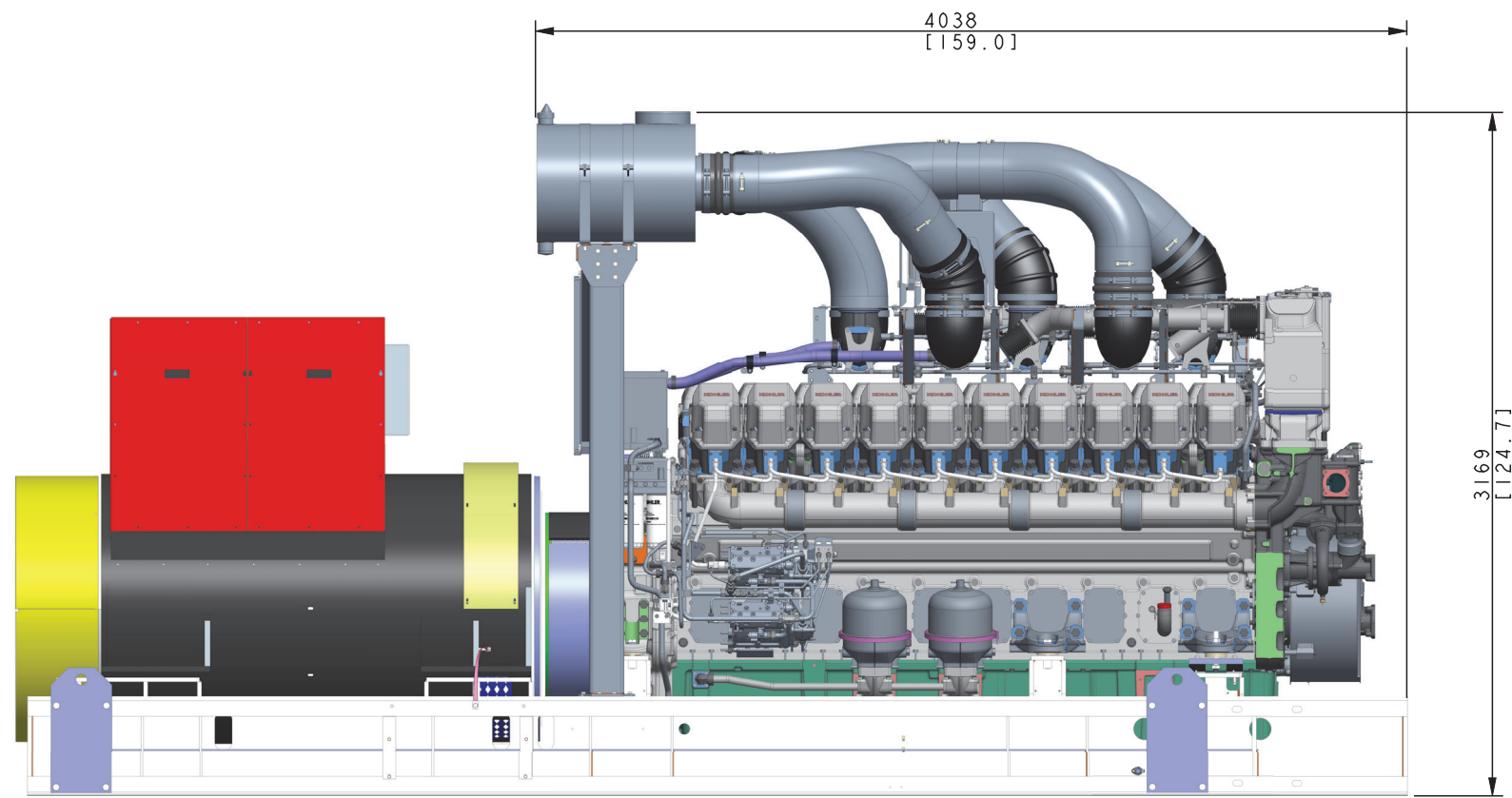
STANDARD DUTY AIR CLEANER



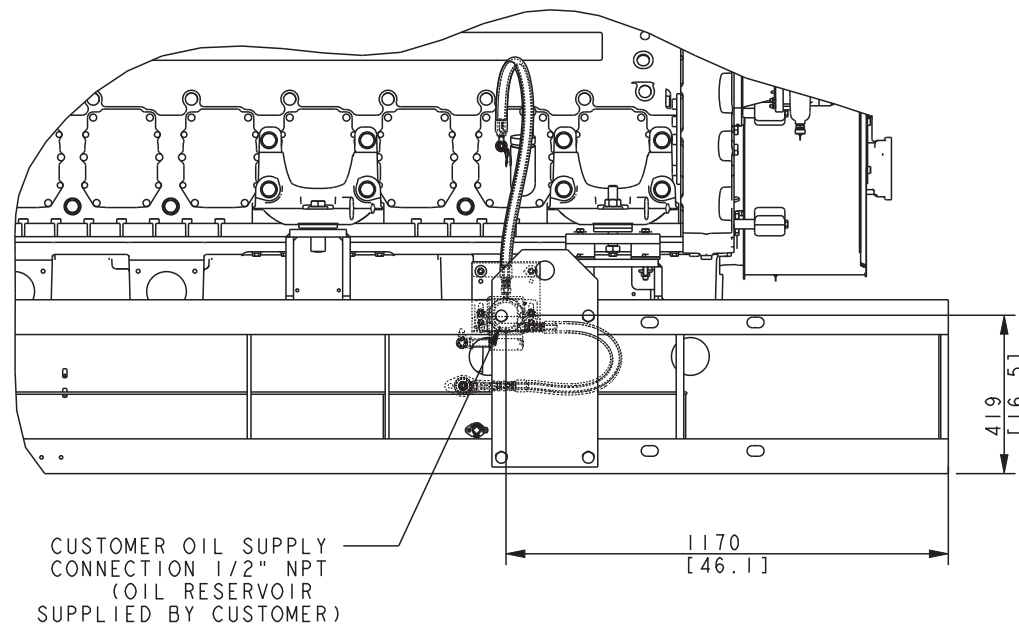
NOTE:
FLEXIBLE EXHAUST TO BE FULLY SUPPORTED BY EXTERNAL STRUCTURE (ALLOW BENDING MOMENT AT EXHAUST FLANGE INTERFACE LESS THAN 75Nm)

KD3500, KD4000
KD103V20

| | | | | |
|---|-----------|--|-----|---|
| REV | DATE | ON COMPOSITE DWGS, SEE PART NO. FOR REVISION LEVEL | BY | DO NOT SCALE. REFERENCE THE MODEL FOR ALL UNSPECIFIED DIMENSIONS |
| - | 23AUG2019 | NEW DRAWING [CT198079] | ARP | UNLESS OTHERWISE SPECIFIED: ALL DIMENSIONS IN MILLIMETERS GENERAL TOLERANCES: XX ± 0.25 SURFACE FINISH X ± 1.0 MAX. ANGLES ± 0°30' THIRD ANGLE PROJECTION |
| A | 09MAR2022 | (B-6) 400 WAS 394; SEE SHEET 1, 2, 3, 5 & 8 [CT217891] | RVM | |
| B | 01JUL2022 | SEE SHEET 1, 3 & 5 [CT220352] | RVM | |
| APPROVALS DATE DRAWN ARP 23AUG2019 CHECKED DJV 23AUG2019 APPROVED JCI 23AUG2019 | | | | KOHLER. KOHLER, WISCONSIN 53044 THIS DRAWING IN DESIGN AND DETAIL IS KOHLER CO. PROPERTY AND MUST NOT BE USED EXCEPT IN CONNECTION WITH KOHLER CO. WORK. ALL RIGHTS OF DESIGN OR INVENTION ARE RESERVED. TITLE DIMENSION PRINT, KD3500-4000 SCALE 0.10 CAD NO. SHEET 7 of 9 ADV-9172 |

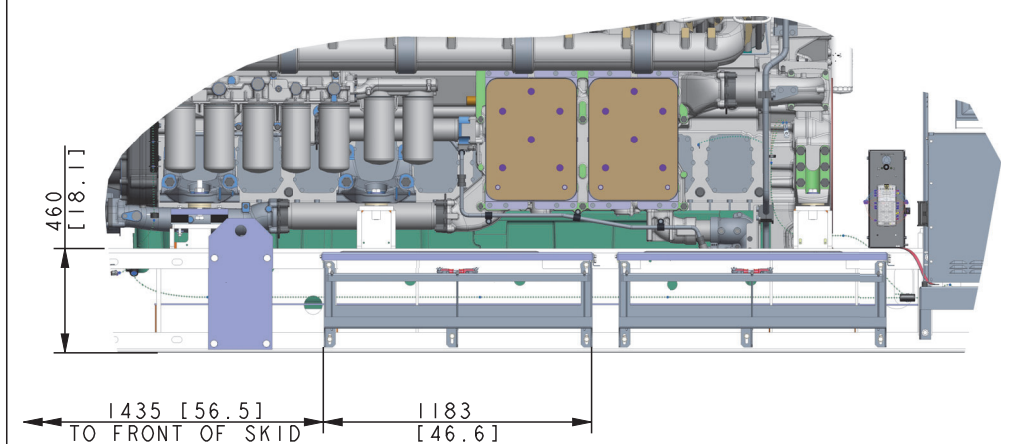


HEAVY DUTY AIR CLEANER

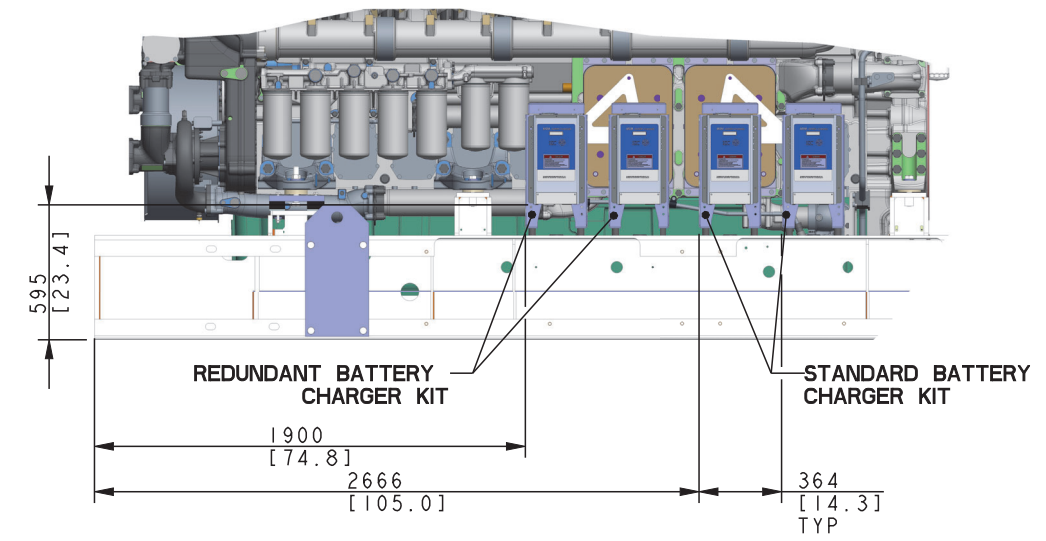


CUSTOMER OIL SUPPLY CONNECTION 1/2" NPT (OIL RESERVOIR SUPPLIED BY CUSTOMER)

AUTOMATIC OIL REPLENISHMENT SYSTEM (RIGHT SIDE OF GENSET)



REDUNDANT BATTERY RACK (LEFT SIDE OF GENSET)

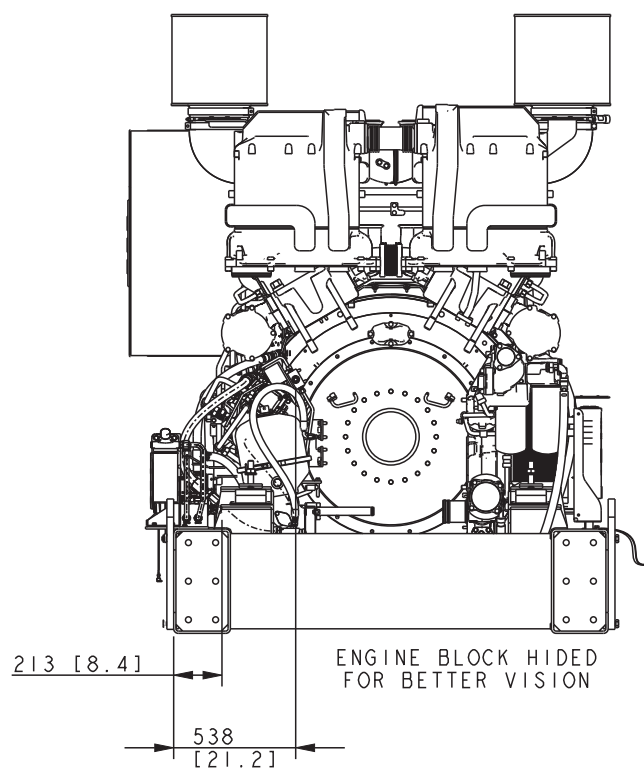
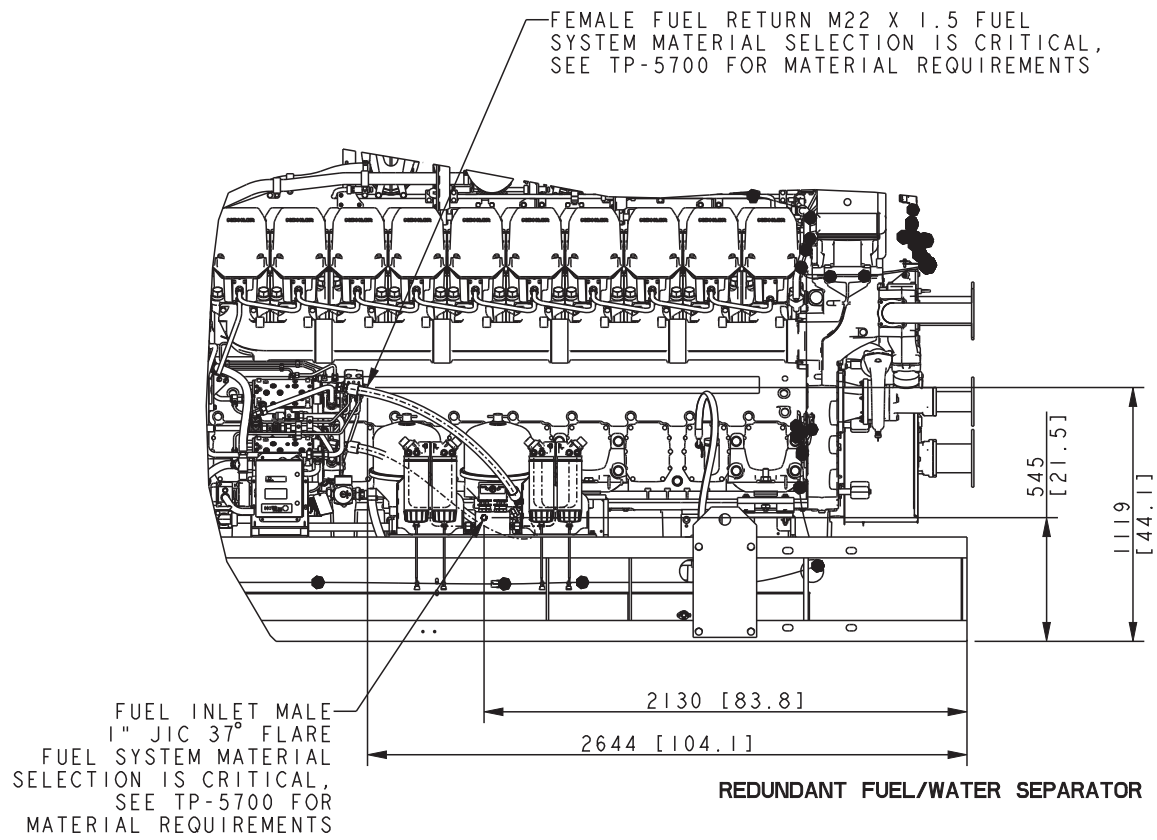
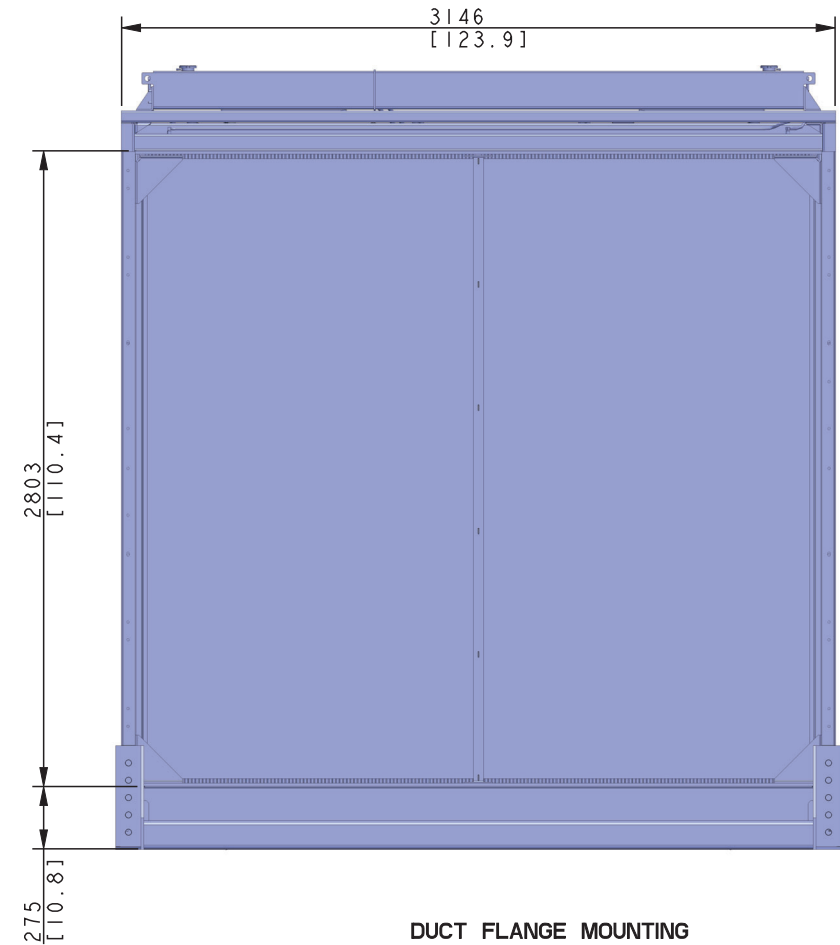
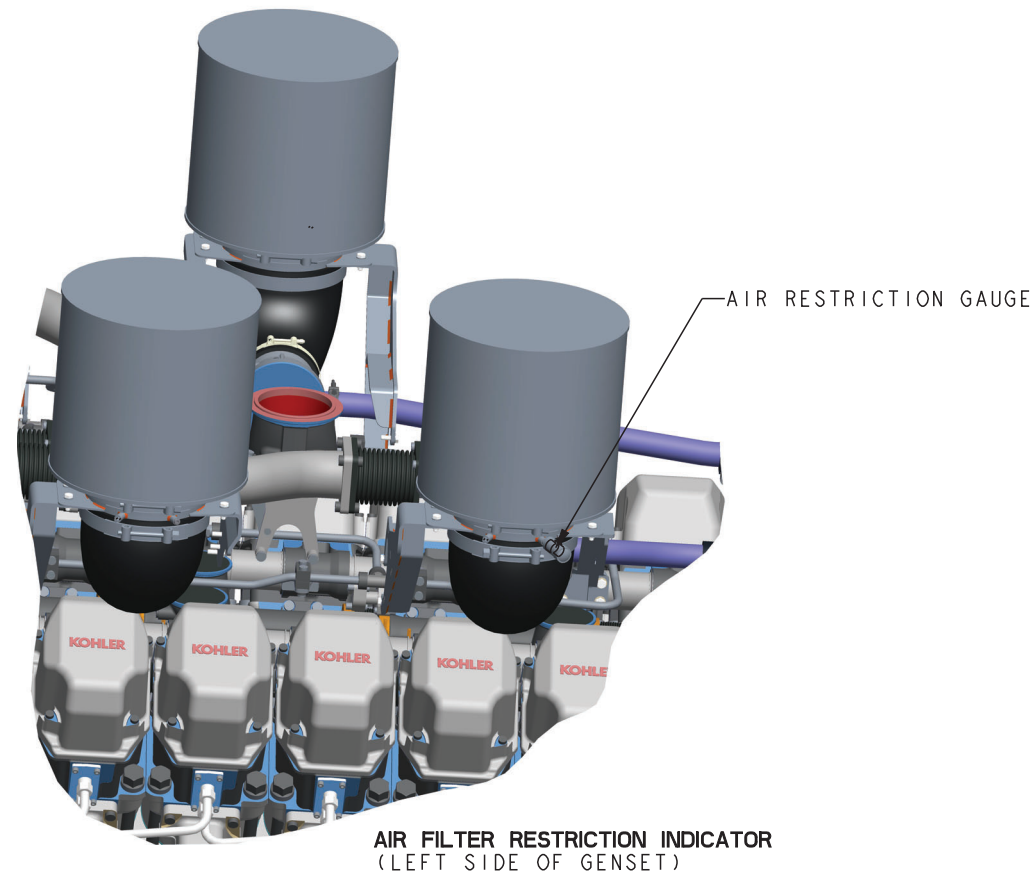


REDUNDANT BATTERY CHARGER KIT

STANDARD BATTERY CHARGER KIT

KD3500, KD4000
KD103V20

| REV | DATE | ON COMPOSITE DWGS, SEE PART NO. FOR REVISION LEVEL | BY | DO NOT SCALE. REFERENCE THE MODEL FOR ALL UNSPECIFIED DIMENSIONS |
|---|-----------|--|-----|---|
| - | 23AUG2019 | NEW DRAWING [CT198079] | ARP | UNLESS OTHERWISE SPECIFIED: ALL DIMENSIONS IN MILLIMETERS GENERAL TOLERANCES: XX ± 0.25 X ± 1.0 SURFACE FINISH ± 1.5 ANGLES ± 0°30' MAX. THIRD ANGLE PROJECTION |
| A | 09MAR2022 | SEE SHEET 1, 2, 3, 5, 6 & 8 [CT217891] | RVM | |
| B | 01JUL2022 | SEE SHEET 1, 3 & 5 [CT220352] | RVM | |
| | | | | |
| APPROVALS DATE DRAWN ARP 23AUG2019 CHECKED DJV 23AUG2019 APPROVED JCI 23AUG2019 | | | | KOHLER. KOHLER, WISCONSIN 53044 THIS DRAWING IN DESIGN AND DETAIL IS KOHLER CO. PROPERTY AND MUST NOT BE USED EXCEPT IN CONNECTION WITH KOHLER CO. WORK. ALL RIGHTS OF DESIGN OR INVENTION ARE RESERVED. TITLE DIMENSION PRINT, KD3500-4000 SCALE 0.06 CAD NO. SHEET 8 of 9 ADV-9172 |



KD3500, KD4000
KD103V20

| REV | DATE | ON COMPOSITE DWGS, SEE PART NO. FOR REVISION LEVEL | BY | DO NOT SCALE. REFERENCE THE MODEL FOR ALL UNSPECIFIED DIMENSIONS | | | | | | | | |
|---|-----------|---|--------------|--|------|-----------|-----------|-------------|-----------|--------------|-----------|--|
| - | 23AUG2019 | NEW DRAWING [CT198079] | ARP | <small>UNLESS OTHERWISE SPECIFIED: ALL DIMENSIONS IN MILLIMETERS</small> GENERAL TOLERANCES: XX ± 0.25 X ± 1.0 SURFACE FINISH X ± 1.5 ANGLES ± 0°30' MAX. THIRD ANGLE PROJECTION | | | | | | | | |
| A | 09MAR2022 | (A-6) REDUNDANT FUEL/WATER SEPARATOR VIEW ADDED; SHEE SHEET 1, 2, 3, 5 & 6 [CT217891] | RVM | | | | | | | | | |
| B | 01JUL2022 | SEE SHEET 1, 3 & 5 [CT220352] | RVM | | | | | | | | | |
| <table border="1"> <thead> <tr> <th>APPROVALS</th> <th>DATE</th> </tr> </thead> <tbody> <tr> <td>DRAWN ARP</td> <td>23AUG2019</td> </tr> <tr> <td>CHECKED DJV</td> <td>23AUG2019</td> </tr> <tr> <td>APPROVED JCI</td> <td>23AUG2019</td> </tr> </tbody> </table> | | | | APPROVALS | DATE | DRAWN ARP | 23AUG2019 | CHECKED DJV | 23AUG2019 | APPROVED JCI | 23AUG2019 | TITLE DIMENSION PRINT, KD3500-4000 |
| APPROVALS | DATE | | | | | | | | | | | |
| DRAWN ARP | 23AUG2019 | | | | | | | | | | | |
| CHECKED DJV | 23AUG2019 | | | | | | | | | | | |
| APPROVED JCI | 23AUG2019 | | | | | | | | | | | |
| SCALE 0.06 CAD NO. | | | SHEET 9 of 9 | ADV-9172 | | | | | | | | |

KOHLER
KOHLER, WISCONSIN 53044
THIS DRAWING IN DESIGN AND DETAIL IS KOHLER CO. PROPERTY AND MUST NOT BE USED EXCEPT IN CONNECTION WITH KOHLER CO. WORK. ALL RIGHTS OF DESIGN OR INVENTION ARE RESERVED.