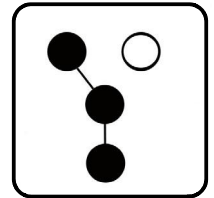


Operation and Installation

Automatic Transfer Switch



Model:

RDT

100- 400 Amp Automatic Transfer Switches
100 and 200 Amp Automatic Transfer Switches with Load Centers
200 and 400 Amp Service Entrance Rated Transfer Switches

Electrical Controls:
MPAC[®] 500

Product Identification Information

Product identification numbers determine service parts. Record the product identification numbers in the spaces below immediately after unpacking the products so that the numbers are readily available for future reference. Record field-installed kit numbers after installing the kits.

Transfer Switch Identification Numbers

Record the product identification numbers from the transfer switch nameplate.

Model Designation _____

Serial Number _____

Accessory Number	Accessory Description
_____	_____
_____	_____
_____	_____
_____	_____
_____	_____
_____	_____
_____	_____
_____	_____
_____	_____
_____	_____

Table of Contents

Product Identification Information	2
Safety Precautions and Instructions	5
Introduction	7
List of Related Literature	7
Nameplate	7
Model Code	8
Service Assistance	9
Section 1 Description	11
1.1 Transfer Switch Description	11
1.2 Load Centers	11
1.3 Service Entrance Models	12
Section 2 Installation	13
2.1 Introduction	13
2.2 Receipt of Unit	13
2.2.1 Inspection	13
2.2.2 Storage	13
2.2.3 Lifting	13
2.2.4 Unpacking	13
2.3 Installation	14
2.4 Manual Operation Check	15
2.5 Electrical Wiring	17
2.5.1 Load Center Circuit Breakers	17
2.5.2 AC Power Connections	17
2.5.3 Neutral Bonding Jumper, Service Entrance Models	18
2.5.4 Tighten the Connections	18
2.6 Controller Connections	23
2.6.1 Engine Start Connections	23
2.6.2 Optional Controller Connections	24
2.6.3 Frequency Selection	24
2.7 Accessory Connections	25
2.7.1 Auxiliary Contacts (Optional)	25
2.7.2 Accessory Board	26
2.7.3 External Alarm Module (EAM)	26
2.7.4 Load Shed Kit	26
2.7.5 SE Model Battery Charger Circuit Breaker Connection	26
2.7.6 Other SE Model Accessory Connections	27
2.7.7 Other Accessories	27
2.8 Operation Test	28
2.9 Exerciser Setup	28
2.9.1 Standard Exerciser	29
2.9.2 Exerciser Options	29
2.10 Registration	29
Section 3 Operation	31
3.1 Introduction	31
3.2 Controls	31
3.3 Faults	32
3.3.1 Failure to Acquire Emergency Source Warning	32
3.3.2 Failure to Transfer Warning	32
3.3.3 Auxiliary Switch Fault	32

Table of Contents, continued

3.4	Controller Resetting	32
3.4.1	Fault Reset	32
3.4.2	Controller Reset	32
3.4.3	Alarm Silence	32
3.5	Operation Sequence	32
3.5.1	Source Sensing	32
3.5.2	Transfer Sequence	33
Section 4	Accessories	35
4.1	Introduction	35
4.2	Accessory Board	35
4.2.1	Audible Alarm	36
4.2.2	EAM Connection (P13)	36
4.2.3	Inputs and Outputs (Connector P9)	36
4.2.4	Time Delay Adjustment Switches	37
4.2.5	DIP Switches	37
4.3	External Alarm Module (EAM)	38
4.3.1	Installation	39
4.3.2	Connection	39
4.3.3	EAM Operation	39
4.3.4	EAM Indicators	39
4.4	Programmable Exerciser	40
4.5	Load Shed Kit and Power Relay Modules	40
4.6	Model SE Accessories	42
4.6.1	Accessory Circuit Breakers (Model SE)	42
4.6.2	Surge Protective Device (SPD) (Model SE)	43
4.6.3	Enclosure Space Heater (Model SE)	44
Section 5	Service Disconnect, SE Model	45
5.1	Service Disconnect Procedure	45
5.2	Source Circuit Breaker Reset	45
Section 6	Scheduled Maintenance	47
6.1	Introduction	47
6.2	Inspection and Service	48
Section 7	Diagrams and Drawings	49
Appendix A	Abbreviations	85

Safety Precautions and Instructions

IMPORTANT SAFETY INSTRUCTIONS. Electromechanical equipment, including generator sets, transfer switches, switchgear, and accessories, can cause bodily harm and pose life-threatening danger when improperly installed, operated, or maintained. To prevent accidents be aware of potential dangers and act safely. Read and follow all safety precautions and instructions. **SAVE THESE INSTRUCTIONS.**

This manual has several types of safety precautions and instructions: Danger, Warning, Caution, and Notice.

DANGER

DANGER indicates a hazardous situation which, if not avoided, will result in death or serious injury.

WARNING

WARNING indicates a hazardous situation which, if not avoided, could result in death or serious injury.

CAUTION



CAUTION indicates a hazardous situation which, if not avoided, could result in minor or moderate injury.

NOTICE

NOTICE is used to address practices not related to physical injury.



Safety decals affixed to the equipment in prominent places alert the operator or service technician to potential hazards and explain how to act safely. The decals are shown throughout this publication to improve operator recognition. Replace missing or damaged decals.



Accidental Starting



 WARNING

Accidental starting. Can cause severe injury or death. Disconnect the battery cables before working on the generator set. Remove the negative (-) lead first when disconnecting the battery. Reconnect the negative (-) lead last when reconnecting the battery.


Disabling the generator set. Accidental starting can cause severe injury or death. Before working on the generator set or equipment connected to the set, disable the generator set as follows: (1) Press the generator set off/reset button to shut down the generator set. (2) Disconnect the power to the battery charger, if equipped. (3) Remove the battery cables, negative (-) lead first. Reconnect the negative (-) lead last when reconnecting the battery. Follow these precautions to prevent the starting of the generator set by the remote start/stop switch.

Hazardous Voltage/ Moving Parts

 DANGER

Hazardous voltage. Will cause severe injury or death. Disconnect all power sources before opening the enclosure.

 DANGER

Hazardous voltage. Will cause severe injury or death. Only authorized personnel should open the enclosure.

 DANGER

Hazardous voltage. Will cause severe injury or death. This equipment must be installed and serviced by qualified electrical personnel.

⚠ DANGER

Hazardous voltage. Electric shock. Will cause severe injury or death.
Close and secure the enclosure door before energizing the transfer switch.

Grounding electrical equipment. Hazardous voltage will cause severe injury or death. Electrocutation is possible whenever electricity is present. Ensure you comply with all applicable codes and standards. Electrically ground the generator set, transfer switch, and related equipment and electrical circuits. Turn off the main circuit breakers of all power sources before servicing the equipment. Never contact electrical leads or appliances when standing in water or on wet ground because these conditions increase the risk of electrocution.

Short circuits. Hazardous voltage/current will cause severe injury or death. Short circuits can cause bodily injury and/or equipment damage. Do not contact electrical connections with tools or jewelry while making adjustments or repairs. Remove all jewelry before servicing the equipment.

Making line or auxiliary connections. Hazardous voltage will cause severe injury or death. To prevent electrical shock deenergize the normal power source before making any line or auxiliary connections.

Servicing the transfer switch. Hazardous voltage will cause severe injury or death. Deenergize all power sources before servicing. Turn off the main circuit breakers of all transfer switch power sources and disable all generator sets as follows: (1) Move all generator set master controller switches to the OFF position. (2) Disconnect power to all battery chargers. (3) Disconnect all battery cables, negative (-) leads first. Reconnect negative (-) leads last when reconnecting the battery cables after servicing. Follow these precautions to prevent the starting of generator sets by an automatic transfer switch, remote start/stop switch, or engine start command from a remote computer. Before servicing any components inside the enclosure: (1) Remove all jewelry. (2) Stand on a dry, approved electrically insulated mat. (3) Test circuits with a voltmeter to verify that they are deenergized.

Heavy Equipment

⚠ WARNING

Unbalanced weight. Improper lifting can cause severe injury or death and equipment damage.
Use adequate lifting capacity. Never leave the transfer switch standing upright unless it is securely bolted in place or stabilized.

Notice

NOTICE

Foreign material contamination. Cover the transfer switch during installation to keep dirt, grit, metal drill chips, and other debris out of the components. Cover the solenoid mechanism during installation. After installation, use the manual operating handle to cycle the contactor to verify that it operates freely. Do not use a screwdriver to force the contactor mechanism.

NOTICE

Electrostatic discharge damage. Electrostatic discharge (ESD) damages electronic circuit boards. Prevent electrostatic discharge damage by wearing an approved grounding wrist strap when handling electronic circuit boards or integrated circuits. An approved grounding wrist strap provides a high resistance (about 1 megohm), *not a direct short*, to ground.

This manual provides operation and installation instructions for Kohler Model RDT automatic transfer switches with MPAC® 500 electrical controls.

Information in this publication represents data available at the time of print. Kohler Co. reserves the right to change this literature and the products represented without notice and without any obligation or liability whatsoever.

Read this manual and carefully follow all procedures and safety precautions to ensure proper equipment operation and to avoid bodily injury. Read and follow the Safety Precautions and Instructions section at the beginning of this manual. Keep this manual with the equipment for future reference.

The equipment service requirements are very important to safe and efficient operation. Contact an authorized distributor/dealer to inspect and service the transfer switch annually and also when any wear, damage, deterioration, or malfunction of the transfer switch or its components is evident or suspected.

List of Related Literature

Figure 1 identifies related literature available for the automatic transfer switches and accessories covered in this manual. Only trained and qualified personnel should install or service the transfer switch and accessories.

Literature Type	Part Number
Specification Sheet, Model RDT	G11-151
Installation Instructions, Accessory Board	TT-1456
Installation Instructions, Auxiliary Switches	TT-1489
Installation Instructions, External Alarm Module	TT-1416
Installation Instructions, Load Shed Kit	TT-1609
Installation Instructions, Power Relay Module	TT-1646
Installation Instructions, Programmable Exerciser	TT-1403

Figure 1 Related Literature

Nameplate

A nameplate attached to the inside of the enclosure cover includes a model designation, a serial number, ratings, and other information about the transfer switch. See Figure 2.

Check the transfer switch model number from the transfer switch nameplate and verify that it matches the model shown on the front cover of this manual before proceeding with installation.

Copy the model designation, serial number, and accessory information from the nameplate to the spaces provided in the Product Identification Information section located inside the front cover of this manual for use when requesting service or parts. Copy the model designation into the spaces in the Model Code chart and use the chart to interpret the model designation.

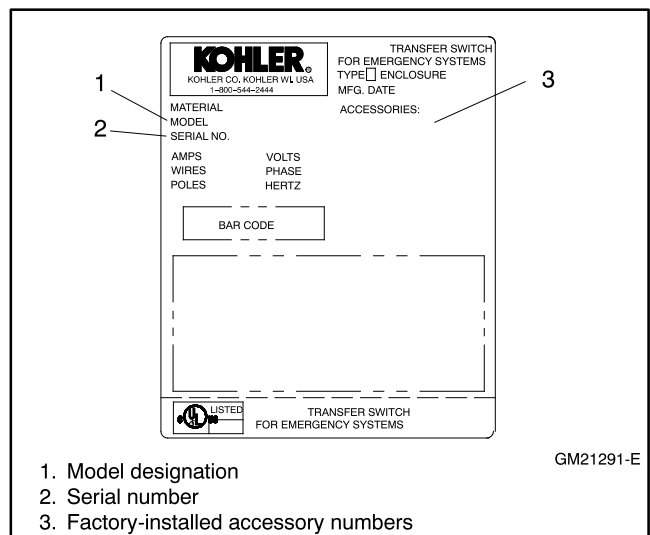
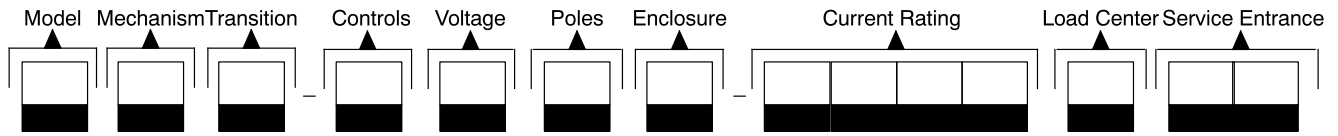


Figure 2 Typical Transfer Switch Nameplate

Model Code

Record the transfer switch model designation in the boxes below. The transfer switch model designation defines characteristics and ratings as explained in the accompanying chart.



Kohler® Model Designation Key

This chart explains the Kohler® transfer switch model designation system. The sample model designation shown is for a Model R service entrance rated automatic transfer switch that uses a standard-transition contactor with MPAC® 500 electrical controls rated at 240 volts/60 Hz, 2 poles, 3 wires, and solid neutral in a NEMA 3R enclosure with a current rating of 200 amperes and no load center.

SAMPLE MODEL DESIGNATION

RDT-CFNC-0200ASE

Model

R: Model R automatic transfer switch

Mechanism

D: Specific-breaker rated

Transition

T: Standard transition

Electrical Controls

C: MPAC®500 (Microprocessor ATS Control)

Voltage/Frequency

F: 240 Volts/60 Hz
(A jumper on the controller allows conversion to 50 Hz.)

Number of Poles/Wires

N: 2-pole, 3-wire, solid neutral

Enclosure

A: NEMA 1 (steel) *
C: NEMA 3R (aluminum)

Current Rating: Numbers indicate the current rating of the switch in amperes:

0100: 100 amps 0200: 200 amps 0400: 400 amps

Load Center

A: Without load center
B: With load center (not available on 400 amp models)

Service Entrance:

SE: Service entrance model (200 and 400 amp models available)
Blank: Not rated for service entrance

* NEMA 1 only: 100 and 200 amp models without load centers can be recess-mounted between wall studs. Optional wall-mount bezel is available.

For professional advice on generator set power requirements and conscientious service, please contact your nearest Kohler distributor or dealer.

- Visit the Kohler Co. website at KOHLERPower.com.
- Look at the labels and decals on your Kohler product or review the appropriate literature or documents included with the product.
- Call toll free in the US and Canada 1-800-544-2444.
- Outside the US and Canada, call the nearest regional office.

Headquarters Europe, Middle East, Africa (EMEA)

Kohler EMEA Headquarters
Netherlands B.V.
Kristallaan 1
4761 ZC Zevenbergen
The Netherlands
Phone: (31) 168 331630
Fax: (31) 168 331631

Asia Pacific

Kohler Asia Pacific Headquarters
Singapore, Republic of Singapore
Phone: (65) 6264-6422
Fax: (65) 6264-6455

China

North China Regional Office, Beijing
Phone: (86) 10 6518 7950
(86) 10 6518 7951
(86) 10 6518 7952
Fax: (86) 10 6518 7955

East China Regional Office, Shanghai
Phone: (86) 21 6288 0500
Fax: (86) 21 6288 0550

India, Bangladesh, Sri Lanka

India Regional Office
Bangalore, India
Phone: (91) 80 3366208
(91) 80 3366231
Fax: (91) 80 3315972

Japan, Korea

North Asia Regional Office
Tokyo, Japan
Phone: (813) 3440-4515
Fax: (813) 3440-2727

Notes

1.1 Transfer Switch Description

An automatic transfer switch (ATS) transfers electrical loads from a normal source of electrical power to an emergency source when the normal source voltage or frequency falls below an acceptable level. The normal source is typically utility power. The emergency source is usually a generator set.

When the normal source fails, the ATS signals the emergency source generator set to start. When the emergency source reaches acceptable levels and stabilizes, the ATS transfers the electrical load to the emergency source.

The ATS continuously monitors the normal source and transfers the load back when the normal source returns and stabilizes. After transferring the load back to the normal source, the ATS removes the generator start signal, allowing the generator set to shut down.

Figure 1-1 shows a typical installation block diagram.

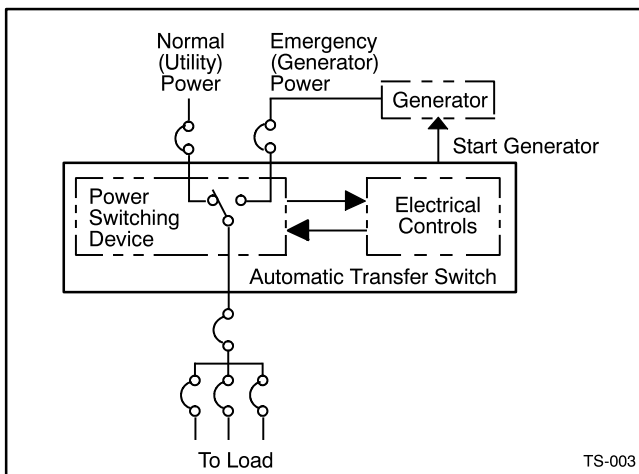


Figure 1-1 Typical ATS Block Diagram

1.2 Load Centers

Model RDT 100 and 200 amp transfer switches are available with or without built-in load centers. Models without load centers require the installation of a separate load panel.

Loads. The transfer switch can be connected to supply all of the electrical loads in the home, or only the essential loads such as the furnace, refrigerator, well pump, and selected light circuits. Identify the essential circuits that must be supplied during a power outage. Verify that the generator set and transfer switch are adequately rated to supply all of the selected loads.

Circuit breakers. Because the size and number of circuit breakers required will vary with each application, circuit breakers are not provided with the transfer switch load center.

Determine the circuits that will be connected to the transfer switch (essential loads). Identify the breakers for those circuits in the main distribution panel.

The ATS load center uses the Square D circuit breakers shown in Figure 1-2. If the main distribution panel uses the same type of breakers, the breakers can be moved from the main panel to the load center. Otherwise, obtain new Square D circuit breakers. For each circuit, the rating of the load center circuit breaker must match the rating of the existing breaker in the main panel.

See the transfer switch dimension drawings for more information.

Model	Spaces	Max. Number of Tandem Breakers	Square D Circuit Breaker Types
100B	16	8	QO, QOA, QOC, QOP, or QOT (20A Max. Non-CTL)
200B	24	12	
200BSE	42	10	

Figure 1-2 Load Center Circuit Breakers

1.3 Service Entrance Models

Service entrance models use a circuit breaker to provide the service disconnect for the utility source.

The SE model is equipped with a 15-amp, single-pole circuit breaker for the generator set battery charger. A circuit breaker for the generator set engine heater is available as an optional accessory.

A surge suppressor for the utility source and an enclosure space heater are also available as optional accessories.

The 200 Amp service entrance model is available with or without a built-in load center. See Section 1.2.

2.1 Introduction

Kohler transfer switches are shipped factory-wired, factory-tested, and ready for installation. Have the equipment installed only by trained and qualified personnel, and verify that the installation complies with applicable codes and standards. Protect the switch against damage before and during installation.

2.2 Receipt of Unit


2.2.1 Inspection

At the time of delivery, inspect the packaging and the transfer switch for signs of shipping damage. Unpack the transfer switch as soon as possible and inspect the exterior and interior for shipping damage. If damage and/or rough handling is evident, immediately file a damage claim with the transportation company.

2.2.2 Storage

Store the transfer switch in its protective packing until final installation. Protect the transfer switch at all times from moisture, construction grit, and metal chips. Avoid storage in cold or damp areas where moisture could condense on the unit. See Figure 2-1 for acceptable storage temperatures.

2.2.3 Lifting

⚠ WARNING

<p>Unbalanced weight. Improper lifting can cause severe injury or death and equipment damage.</p> <p>Use adequate lifting capacity. Never leave the transfer switch standing upright unless it is securely bolted in place or stabilized.</p>

See Figure 2-2 or the dimensional drawing for the weight of the transfer switch. Use a spreader bar to lift the transfer switch. Attach the bar only to the enclosure's mounting holes or lifting brackets; do not lift the unit any other way. Close and latch the enclosure door before moving the unit.

2.2.4 Unpacking

Allow the equipment to warm to room temperature for at least 24 hours before unpacking to prevent condensation on the electrical apparatus. Use care when unpacking to avoid damaging transfer switch components. Use a vacuum cleaner or a dry cloth to remove dirt and packing material that may have accumulated in the transfer switch or any of its components.

Note: Do not use compressed air to clean the switch. Cleaning with compressed air can cause debris to lodge in the components and damage the switch.

Item	Specification
Storage Temperature	- 40°C to 85°C (- 40°F to 185°F)
Operating Temperature	- 20°C to 70°C (- 4°F to 158°F)
Humidity	5% to 95% noncondensing
Altitude	0 to 3050 m (10000 ft.) without derating

Figure 2-1 Environmental Specifications

Enclosure Type	Amps	Load Center	Weight kg (lb.)
NEMA 1	100	None	7 (15)
	100	16 spaces	18 (40)
	200	None	7 (15)
	200	24 spaces	21 (45)
NEMA 3R	100	None	7 (15)
	100	16 spaces	8 (18)
	200	None	7 (15)
	200	24 spaces	8 (18)
	200 SE †	None	12 (26)
	200 SE †	42 spaces	32 (70)
	400	None	40 (120)
	400 SE †	None	59 (130)

† SE = Service entrance model

Figure 2-2 Transfer Switch Weights

2.3 Installation

NOTICE

Foreign material contamination. Cover the transfer switch during installation to keep dirt, grit, metal drill chips, and other debris out of the components. Cover the solenoid mechanism during installation. After installation, use the manual operating handle to cycle the contactor to verify that it operates freely. Do not use a screwdriver to force the contactor mechanism.

NOTICE

The transfer switch may use both American Standard and metric hardware. Use the correct size tools to prevent rounding of the bolt heads and nuts.

Check the system voltage and frequency. Compare the voltage and frequency shown on the transfer switch nameplate to the source voltage and frequency. See Figure 2-3. Do not install the transfer switch if the voltage and frequency are different from the normal (utility) source voltage and frequency or the emergency source voltage and frequency shown on the generator set nameplate.

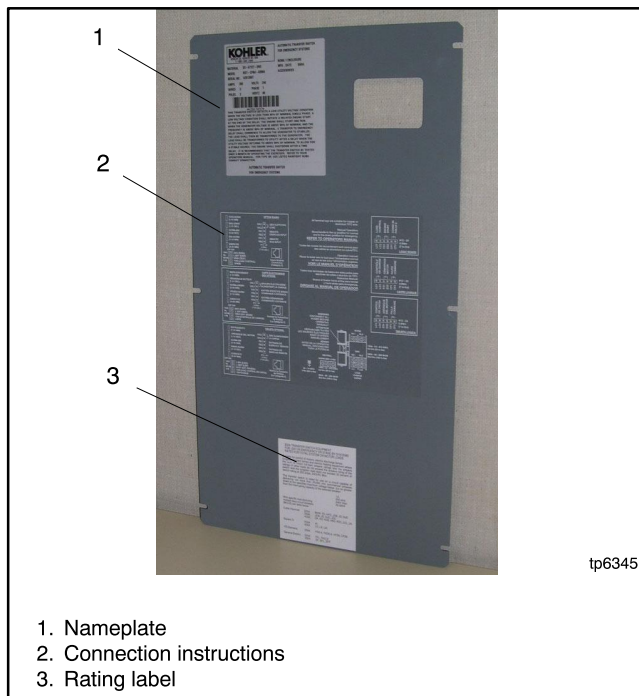


Figure 2-3 Enclosure Door or Inner Panel

Plan the installation. Use the dimensions given on the enclosure dimension (ADV) drawings in Section 7. Select a mounting site that complies with local electrical code restrictions for the enclosure type. Mount the transfer switch as close to the load and power sources as possible. Allow adequate space to open the enclosure and service the switch.

Wall mounting. Mount the transfer switch to a wall or other rigid vertical supporting structure. Use the template provided with 100 and 200 amp switches to locate the mounting holes in the wall. Level the template before marking and drilling the holes. For 400 amp switches, refer to the dimension drawing in Section 7 for hole locations.

Cover or remove the transfer switch's internal components to protect them from drill chips or debris during installation. Use a vacuum cleaner to remove debris from the enclosure. Tighten the mounting screws to 2.9 Nm (26 in. lb.) when reinstalling the components.

Note: Do not use compressed air to clean the switch. Cleaning with compressed air can cause debris to lodge in the components and cause damage.

Clearance holes through the back of each enclosure are provided for mounting. Use shims to plumb the enclosure.

NEMA 3R enclosures. To remove the enclosure's front panel, support the panel while removing the screws. Pull the bottom of the panel out and down until the top clears the enclosure. Remove the inner panel to access the transfer switch components.

100 and 200 amp NEMA 3R enclosures have locking tabs at the bottom of the enclosure and the door. While the enclosure is open, turn the locking tab out so that the door can be locked with a padlock after installation is complete.

Note: The mounting holes on NEMA 3R enclosures have gaskets to seal out moisture. Use washers with the mounting screws to protect the gaskets.

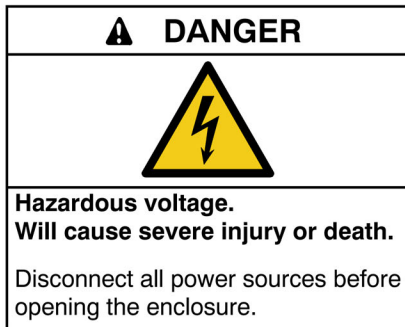
Recessed mounting. All 100 amp NEMA 1 enclosures and 200 amp NEMA 1 enclosures without the load center can be recess-mounted between 16 in. O.C. wall studs.

Remove the ATS components from inside the enclosure to protect them from drill chips and debris. Drill four mounting holes in one side of the enclosure. Mark and drill matching mounting holes in the wall stud. The enclosures are 330.2 mm (13 in.) wide. Add a stud to provide support on both sides of the transfer switch, if desired.

Mount the transfer switch enclosure. Use a vacuum cleaner to remove debris from the enclosure. Reinstall the internal components and tighten the mounting screws to 2.9 Nm (26 in. lb.).

Bezel. The optional bezel can be used with recess-mounted units. After mounting the transfer switch, mount the bezel around the transfer switch using the six self-tapping screws included with the kit. Drywall anchors may be needed for screws that do not go into studs.

2.4 Manual Operation Check



Check the manual operation before energizing the transfer switch. Verify that the contactor operates smoothly without binding. Do not place the transfer switch into service if the contactor does not operate smoothly.

After checking the manual operation, place the contactor in the Normal (utility) position.

Manual Operation Procedure

Note: Never manually operate the transfer switch when the power is connected. Disconnect both power sources before manually operating the switch.

1. See Figure 2-4 and compare your transfer switch to the illustrations in Figure 2-5 through Figure 2-7.
 - a. Switches shown in Figure 2-5 have an attached handle that is not removable.
 - b. For switches shown in Figure 2-6, insert a screwdriver or similar tool into the opening in the manual operating lever.
 - c. For switches shown in Figure 2-7, use the maintenance handle provided with the transfer switch or an appropriately sized wrench. Slide the detachable handle or wrench over the shaft.
2. Move the manual operating handle up or down to place the contactor into the desired position.
 - a. Figure 2-5 or Figure 2-7: Move the handle up to place the transfer switch in the Normal Source position or down to place the contactor in the Emergency (Standby) Source position. See Figure 2-5 or Figure 2-7.
 - b. Other styles: Move the maintenance handle (or tool) up or down as shown to manually operate the transfer switch to the N or E position as labelled on the mechanism.
3. Verify that the transfer switch operates smoothly without any binding. If it does not, check for

shipping damage or construction debris. Do not place the transfer switch into service if the contactor does not operate smoothly.

4. Move the manual operating handle to return the transfer switch to the Normal Source position.
5. Remove the maintenance handle or tool, if used, and return it to the storage location.

ATS	Figure
100- 200 amps	Figure 2-5 or Figure 2-6
400 amps	Figure 2-7

Figure 2-4 Manual Operation Illustrations

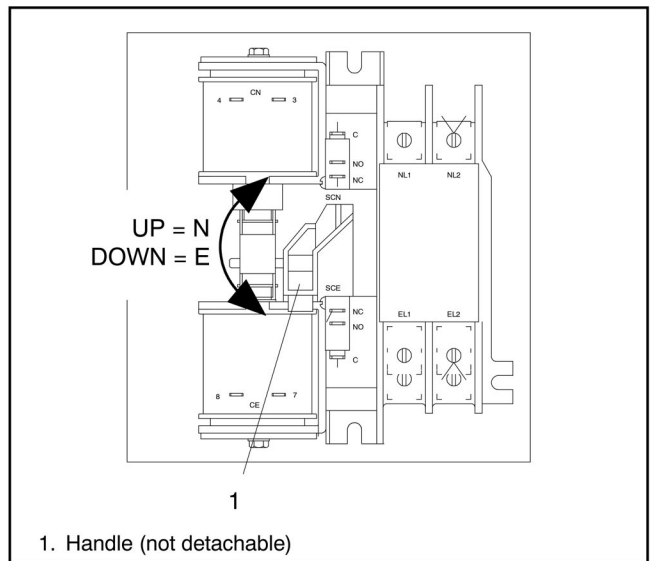


Figure 2-5 Manual Operation, 100 - 200 Amp Switches

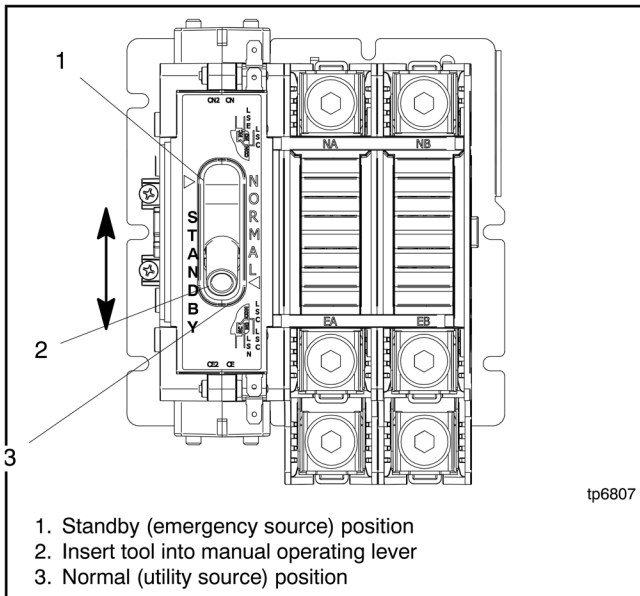


Figure 2-6 Manual Operation, 100 - 200 Amp Switches

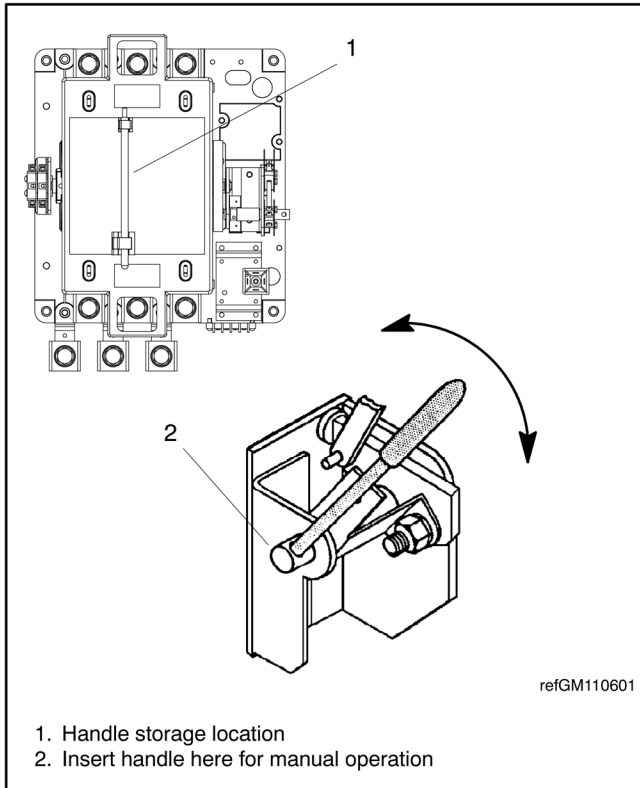


Figure 2-7 Manual Operation, 400 Amp Switches

2.5 Electrical Wiring

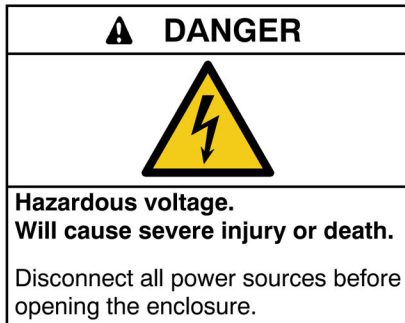
The connection drawings in Figure 2-12 and Figure 2-13 show examples of essential load and whole-house configurations. Figure 2-14 and Figure 2-15 show service entrance model connections. The connection diagrams show typical transfer mechanisms; the design of your transfer mechanism may vary. Check the labels on the transfer switch to verify the source and load connections.

Note: Do not install the transfer switch in an application that does not match the ATS phase and voltage ratings listed on transfer switch nameplate.

Compare the voltage, frequency, and phases shown on the transfer switch nameplate to the source voltage and frequency. Do not install the transfer switch if the voltage and frequency are different from the normal (utility) source voltage and frequency or the emergency source voltage and frequency shown on the generator set nameplate.

All wiring must comply with applicable national, state, and local electrical codes. Use separate conduit for AC power wiring and low-voltage DC, control, and communication system wiring.

Refer to the connection diagrams on the transfer switch enclosure door (see Figure 2-3) and the wiring diagrams in Section 7 during installation.



Making line or auxiliary connections. Hazardous voltage will cause severe injury or death. To prevent electrical shock deenergize the normal power source before making any line or auxiliary connections.

Grounding electrical equipment. Hazardous voltage will cause severe injury or death. Electrocutation is possible whenever electricity is present. Ensure you comply with all applicable codes and standards. Electrically ground the generator set and related equipment and electrical circuits. Turn off the main circuit breakers of all power sources before servicing the equipment. Never contact electrical leads or appliances when standing in water or on wet ground because these conditions increase the risk of electrocution.

2.5.1 Load Center Circuit Breakers

The ATS load center uses the Square D circuit breakers shown in Figure 2-8. In an essential load application, the breakers can be moved from the main panel to the load center if the main distribution panel uses the same type of breakers. Otherwise, obtain new Square D circuit breakers. The rating of the load center circuit breaker must match the rating of the existing breaker in the main panel for each circuit. If circuit breakers are removed from the load panel, install cover plates over the vacant positions. Cover plates can be obtained from a local Square D supplier.

See the transfer switch dimension drawings for more information.

Model	Spaces	Max. Number of Tandem Breakers	Square D Circuit Breaker Types
100B	16	8	QO, QOA, QOC, QOP, or QOT (20A Max. Non-CTL)
200B	24	12	
200BSE	42	10	

Figure 2-8 Load Center Circuit Breakers

2.5.2 AC Power Connections

Determine the cable size. Refer to the ADV drawings in Section 7 to determine the cable sizes required for the transfer switch. Make sure the lugs provided are suitable for use with the cables being installed.

Conduit. Use the knock-outs provided in the enclosure for cables. Use separate conduit for AC power wiring and low-voltage DC, control, and communication system wiring. Watertight conduit hubs may be required for outdoor use.

For the SE model conduit hub, thread sealant must be applied to screw threads if screws are removed or replaced.

Select the proper cable clamp or use other approved methods for securing the cable or conduit to the enclosure.

Connect the source and load cables. Clean cables with a wire brush to remove surface oxides before connecting them to the terminals. Apply joint compound to the connections of any aluminum conductors.

Refer to the connection diagrams on the transfer switch enclosure door (see Figure 2-3) and the wiring diagrams in Section 7.

Connect the Normal source (typically the utility power) to the lugs labeled NA and NB. Connect the Emergency

source (typically the generator set) to the lugs labeled EA and EB.

For service entrance models, connect the utility source to the lugs on the normal source disconnect circuit breaker as shown in the service entrance switch wiring diagram in Section 7.

On models without built-in load centers, connect the load to the lugs labeled LA and LB.

On models with built-in load centers, the LA and LB lugs are factory-wired to the load center. Connect the load leads to the circuits in the load center and tighten the connections. Check the labels on the breakers for the tightening torques.

Neutral Connection

Connect the neutral from the main panel to the neutral lug in the ATS enclosure.

Note: The neutral connection is required for transfer switch operation.

Ground the system according to NEC and local codes. All wiring must comply with applicable national, state, and local electrical codes.

2.5.3 Neutral Bonding Jumper, Service Entrance Models

Service entrance transfer switches are shipped with the neutral-to-ground jumper connected. For non-service entrance applications, disconnect the neutral-to-ground bonding jumper. See the transfer switch dimension drawing.

2.5.4 Tighten the Connections

Verify that all connections are consistent with drawings before tightening the lugs. Tighten all cable lug connections to the torque values shown on the label on the switch, or see Figure 2-9 through Figure 2-11.

Carefully wipe off any excess joint compound after tightening the terminal lugs.

Tightening Torque Values for Dual-Rated (AL-CU) Screw Connectors

AWG or Circular MIL Size	Screwdriver Tightening Torque	
	Inch-Pounds	(Nm)
#14 to #10	35	(4.0)
#8	40	(4.5)
#6 to #4	45	(5.1)
#2 to 2/0	50	(5.7)

Figure 2-9 Screwdriver Tightening Torques

Internal Socket Size Across Flats (in.)	Internal Socket Tightening Torque	
	Inch-Pounds	(Nm)
1/8 [0.125]	45	(5.1)
5/32 [0.156]	100	(11.3)
3/16 [0.188]	120	(13.6)
7/32 [0.219]	150	(16.9)
1/4 [0.250]	200	(22.6)
5/16 [0.313]	275	(31.1)
3/8 [0.375]	375	(42.4)
1/2 [0.500]	500	(56.5)
9/16 [0.563]	600	(67.8)

Figure 2-10 Internal Socket Tightening Torques

Internal Socket Tightening Torque			
Cable Range	In. Lbs	Ft. Lbs.	(Nm)
#14 to #10	60	5	(6.8)
#8 to #3	120	10	(13.6)
#2 to 2/0	240	20	(27.1)
3/0 to 350MCM	300	25	(33.9)
400 MCM to 600 MCM	360	30	(40.7)
700 MCM to 1000 MCM	480	40	(54.2)

Figure 2-11 Alternate Internal Socket Set Screw Lug Torque Based on Wire Size

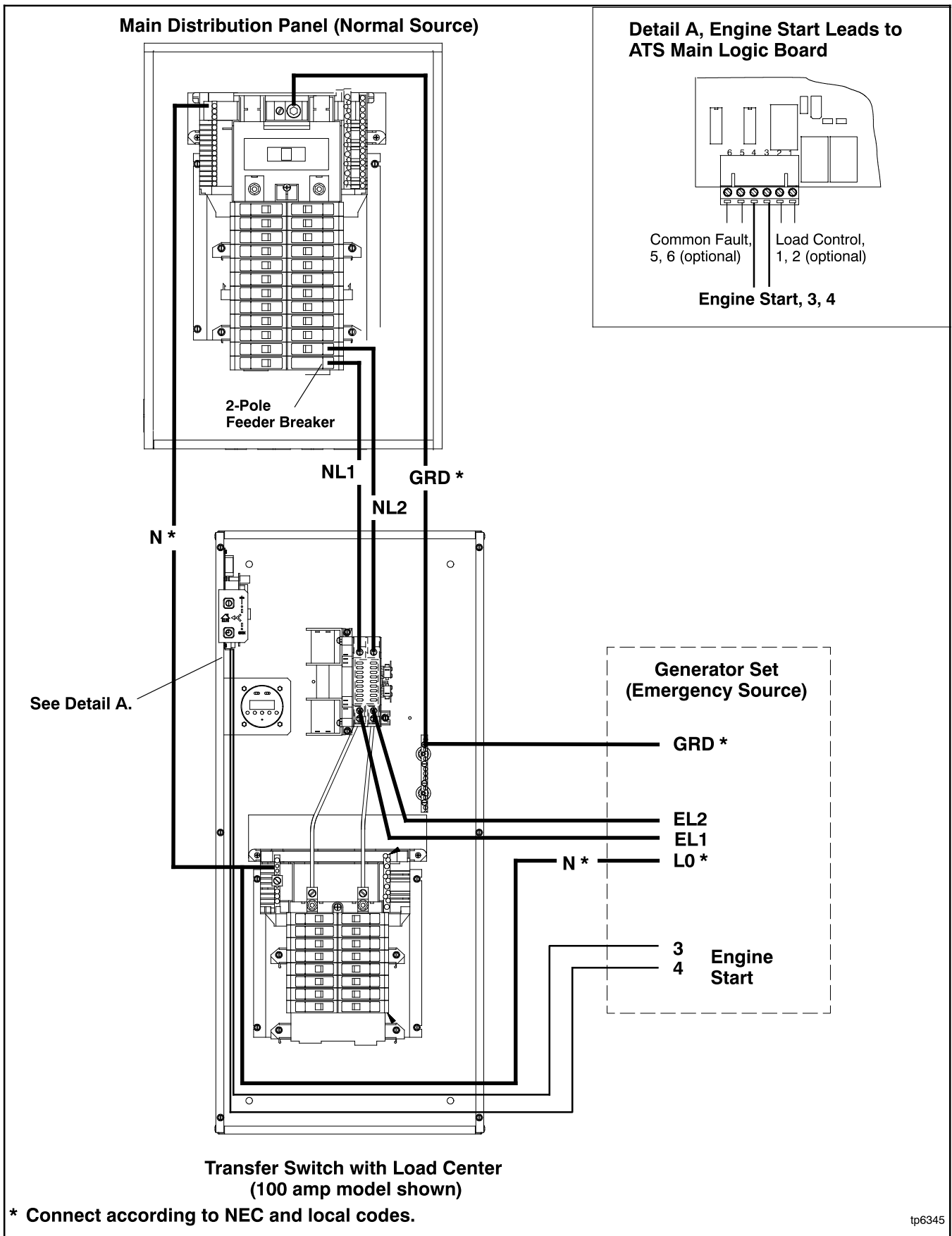
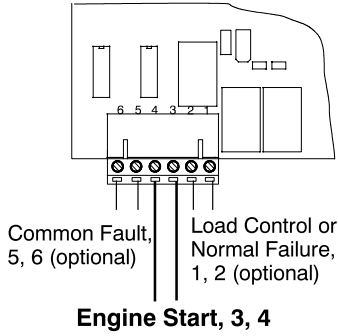
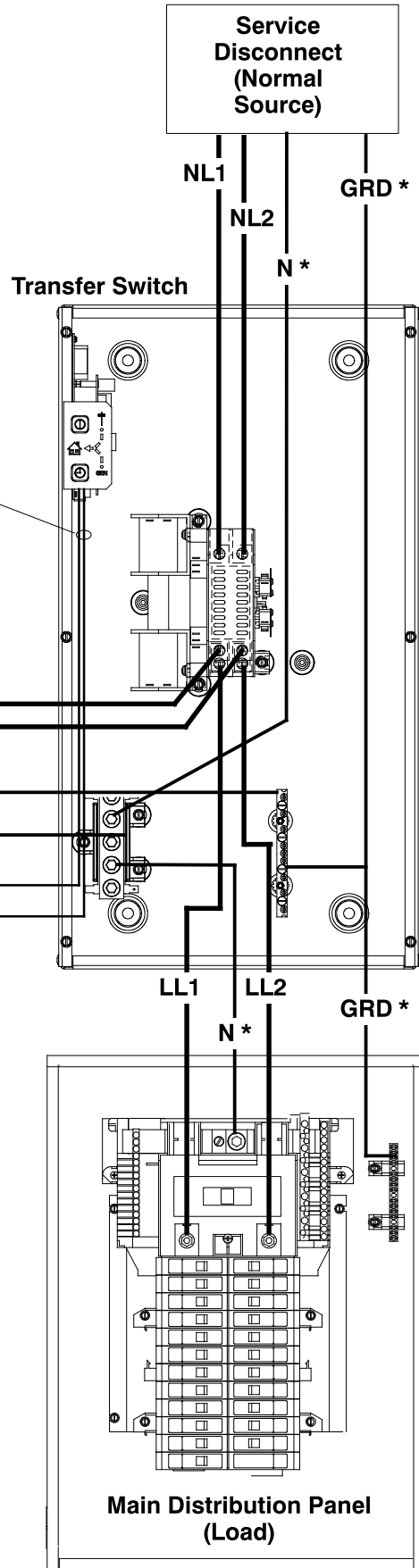
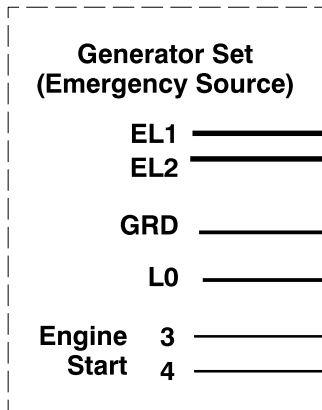


Figure 2-12 Connection Diagram, Load Center Models, Essential Loads Configuration

**Detail A, Engine Start Leads to
ATS Main Logic Board**



Engine start connections 3 and 4 to ATS main logic board. See Detail A. Also see Figure 2-17 and wiring decal.



* Connect according to NEC and local codes.

tp6345

Figure 2-13 Connection Diagram, Transfer Switch without Load Center, Whole-House Configuration

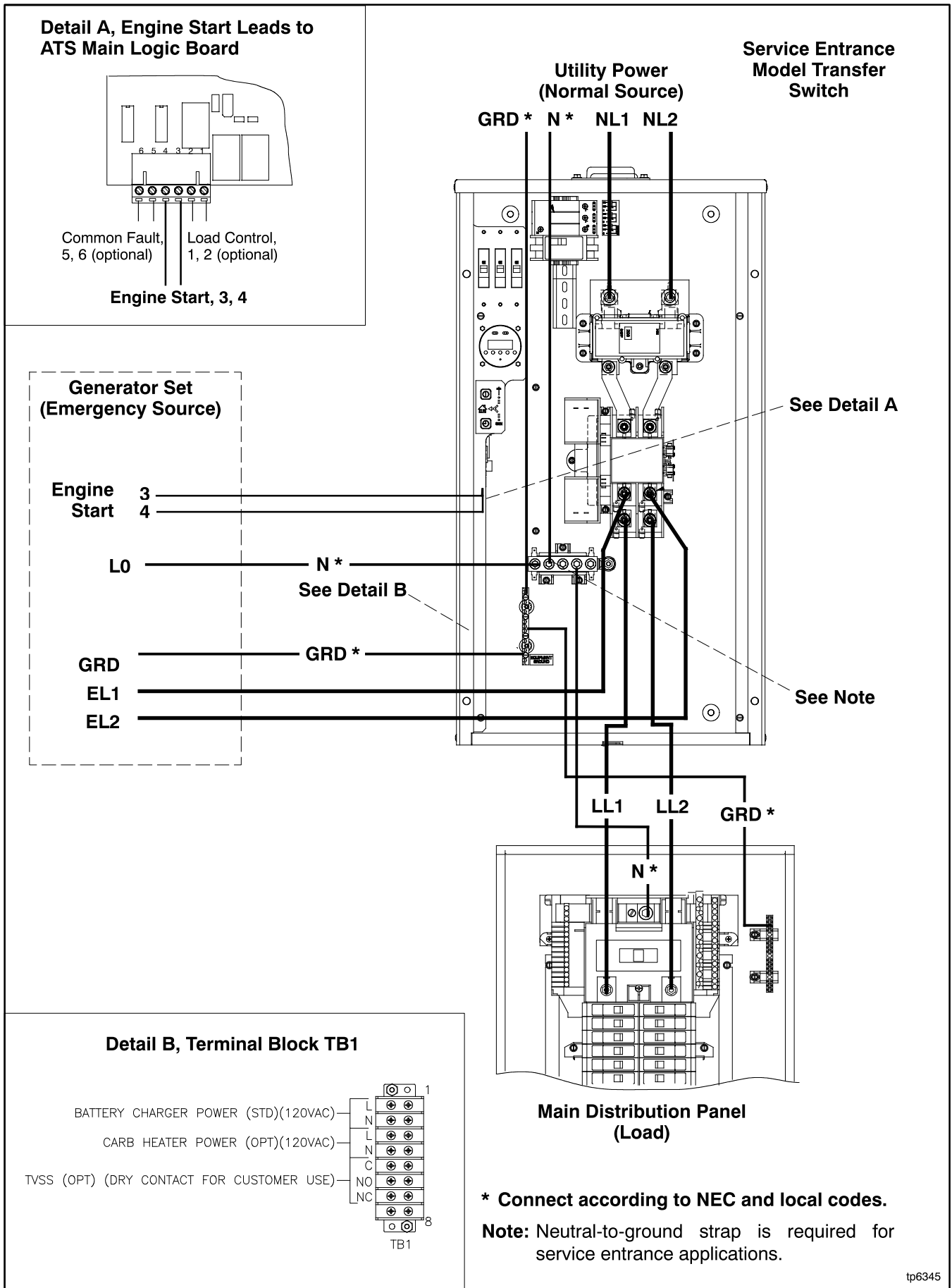


Figure 2-14 Connection Diagram, 200 Amp Service Entrance Model Transfer Switch

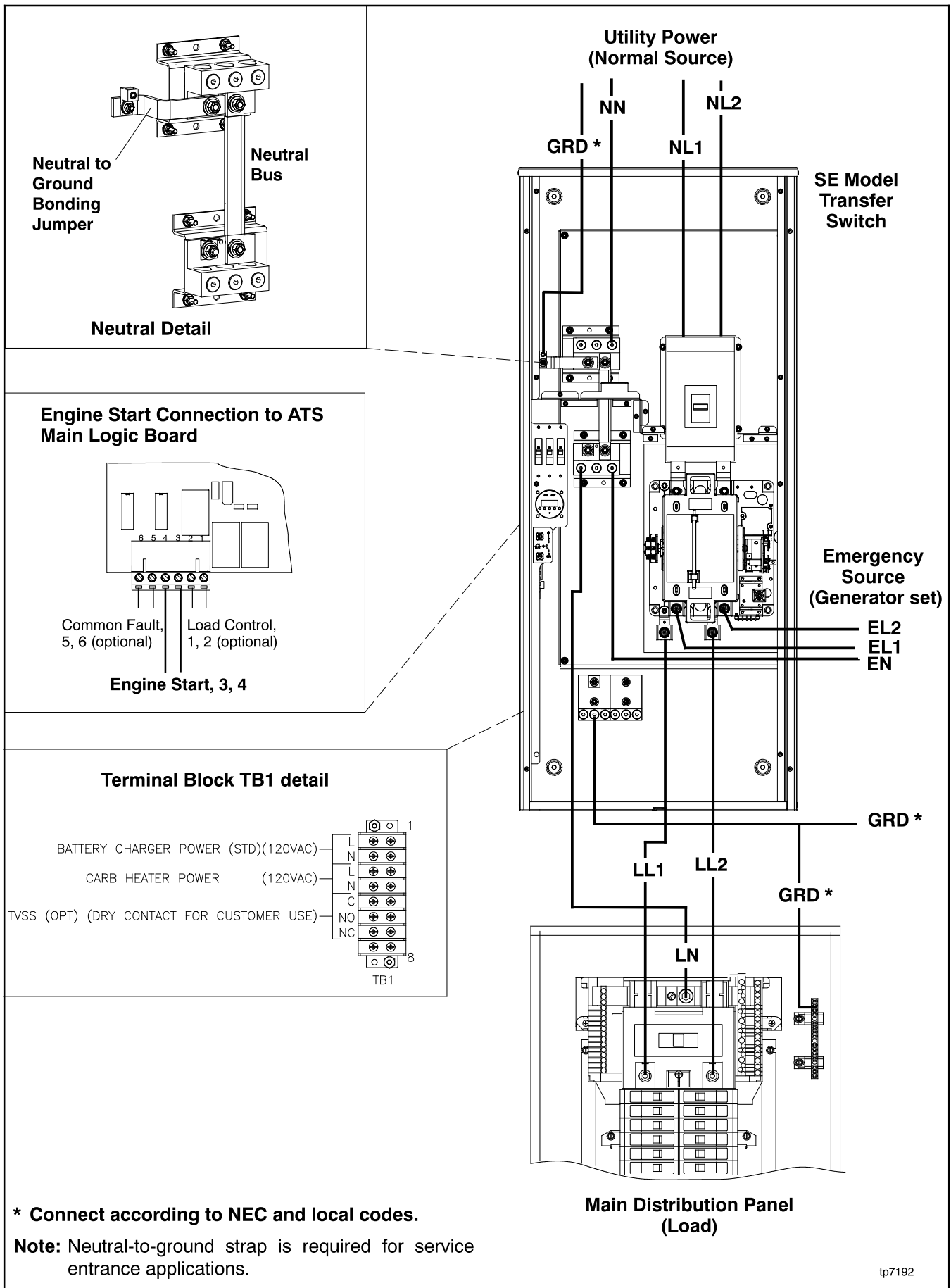



Figure 2-15 Connection Diagram, 400 Amp Service Entrance Model Transfer Switch

2.6 Controller Connections

See Figure 2-16 and the wiring diagrams in Section 7 for controller connections.

2.6.1 Engine Start Connections

⚠ WARNING



**Accidental starting.
Can cause severe injury or death.**

Disconnect the battery cables before working on the generator set. Remove the negative (-) lead first when disconnecting the battery. Reconnect the negative (-) lead last when reconnecting the battery.

Disabling the generator set. Accidental starting can cause severe injury or death. Before working on the generator set or equipment connected to the set, disable the generator set as follows: (1) Move the generator set master switch to the OFF position. (2) Disconnect the power to the battery charger. (3) Remove the battery cables, negative (-) lead first. Reconnect the negative (-) lead last when reconnecting the battery. Follow these precautions to prevent starting of the generator set by an automatic transfer switch, remote start/stop switch, or engine start command from a remote computer.

Connect the engine start leads from the generator set to terminals 3 and 4 on the green 6-pin connector labeled P2 on the controller's main logic board. See Figure 2-16 for the location of the engine start contacts and V for connection details. See Figure 2-19 for contact ratings and wire size information.

Note: Be sure to connect the engine start leads to the *green* connector on the *main logic board*. The optional accessory board has a similar black 6-pin connector that is used for other input and output connections.

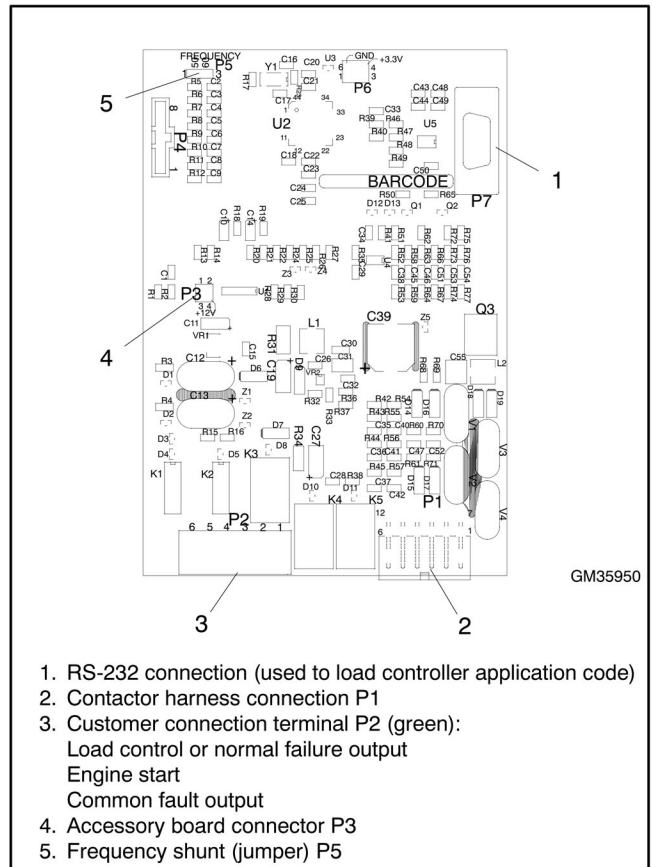


Figure 2-16 Controller Board Connections

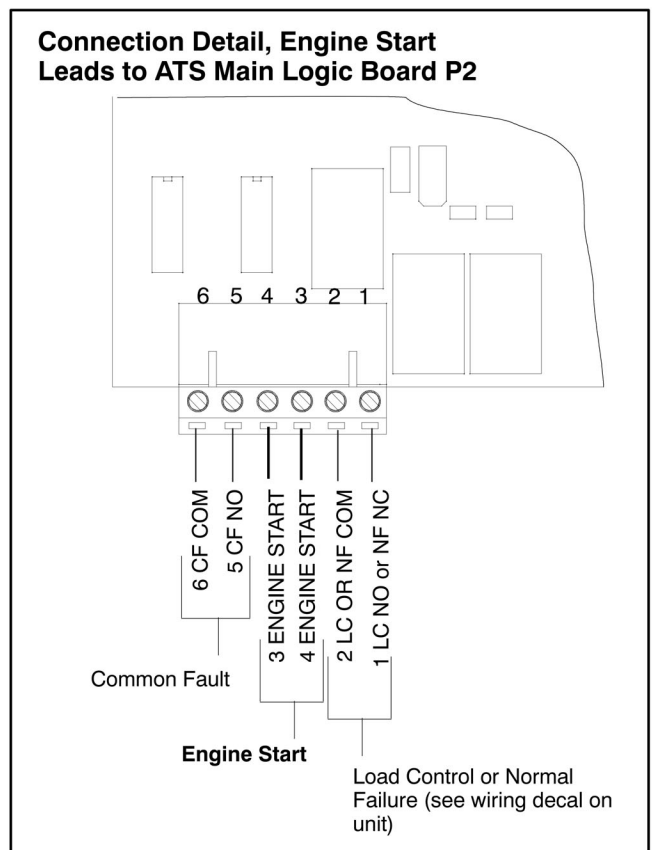


Figure 2-17 Engine Start Connection Detail

2.6.2 Optional Controller Connections

The green 6-pin connector P2 on the controller's main logic board provides connection points for optional common fault and load control or normal failure circuits. See Figure 2-16 for the connector location and Figure 2-17 for connection details. See Figure 2-19 for contact ratings, connection, and wire size information.

Load Control Contact. Normally open (NO) contact provided on most models; see the wiring decal on the unit. Provides a delayed contact closure to allow startup of selected loads 5 minutes after transfer to the emergency power source (generator set). Use this contact to delay startup of equipment with large motor-starting loads such as air conditioners.

The optional accessory board allows you to change the load control time delay to 10 minutes. See Section 4.1.

Normal Failure Contact. Normally-closed (NC) contact provided on models equipped with controller board GM41597 only; see the wiring diagram decal on the unit. This contact opens when the normal source is available and closes when the normal source is lost.

Common Fault Contact. The normally open contact closes and latches on the following conditions:

- Failure to transfer
- Position-indicating auxiliary contact fault
- Failure to acquire emergency source

Connect customer-supplied equipment such as an indicator lamp or alarm horn to the common fault connections on connector P2. See Section 3.3 for fault information.

The faults must be reset to open this contact after a fault condition. See Section 3.4 for instructions to reset faults.

2.6.3 Frequency Selection

The transfer switch frequency is set by a programming shunt (jumper) on P5 on the main logic board. See Figure 2-16 for the jumper location. Position the jumper as indicated in Figure 2-18 for 50 or 60 Hz.

Frequency	P5 Jumper Position
50 Hz	P5-1 to P5-2
60 Hz	P5-2 to P5-3

Figure 2-18 Frequency Jumper Positions

Description	Terminals	Contact Rating	Wire Size	Tightening Torque	Max. Distance
Load Control	P2-1 and P2-2	10 A @ 120 VAC Normally open (NO)	#12- 24 AWG	0.8 Nm (7 in. lb.)	213 m (700 ft.)
Normal Failure (control board GM41597 only)	P2-1 and P2-2	10 A @ 120 VAC Normally closed (NC)	#12- 24 AWG	0.8 Nm (7 in. lb.)	213 m (700 ft.)
Engine Start	P2-3 and P2-4	0.5 A @ 125 VAC; 2 A @ 30 VDC Normally closed (NC)	#12- 24 AWG	0.8 Nm (7 in. lb.)	213 m (700 ft.)
Common Fault	P2-5 and P2-6	0.5 A @ 125 VAC; 2 A @ 30 VDC Normally open (NO), latches closed	#12- 24 AWG	0.8 Nm (7 in. lb.)	213 m (700 ft.)

Figure 2-19 Controller Main Logic Board Customer Connections (P2)

2.7 Accessory Connections

Factory-installed accessories may require power, input, and output connections. Refer to the following sections and Section 4 for instructions to connect optional accessories. Check settings on optional accessories as described in the following sections.

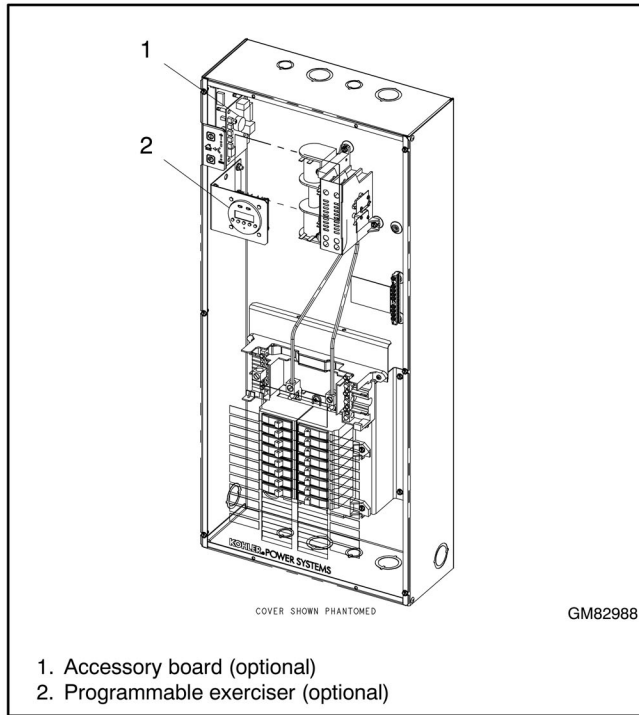



Figure 2-20 Optional Accessory Locations, Typical

⚠ DANGER

Hazardous voltage. Will cause severe injury or death.
Disconnect all power sources before opening the enclosure.

Making line or auxiliary connections. Hazardous voltage will cause severe injury or death. To prevent electrical shock deenergize the normal power source before making any line or auxiliary connections.

2.7.1 Auxiliary Contacts (Optional)

Optional auxiliary contacts provide one set of normally open (NO) contacts that close when the transfer switch is in the Normal position and one set of contacts that close when the transfer switch is in the Emergency position. Some auxiliary switches may also be equipped with normally closed (NC) contacts. Use 1/4 in. fast-on connectors to connect the auxiliary contacts to customer-supplied alarms, remote indicators, or other devices. See Figure 2-21 for the contact rating.

The auxiliary contacts are located on either the right or the left side of the contactor. See Figure 2-22.

Description	Contact Rating
Auxiliary Contacts	15 A @ 250 VAC Form C

Figure 2-21 Auxiliary Contact Rating

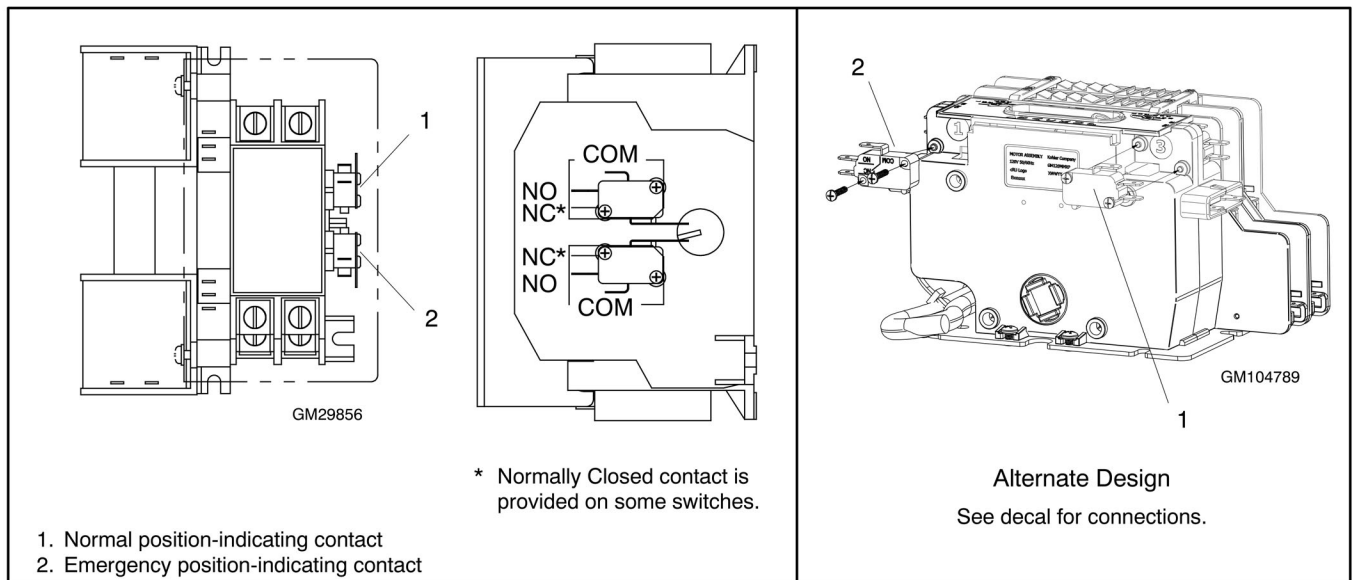


Figure 2-22 Optional Auxiliary Contacts, Typical

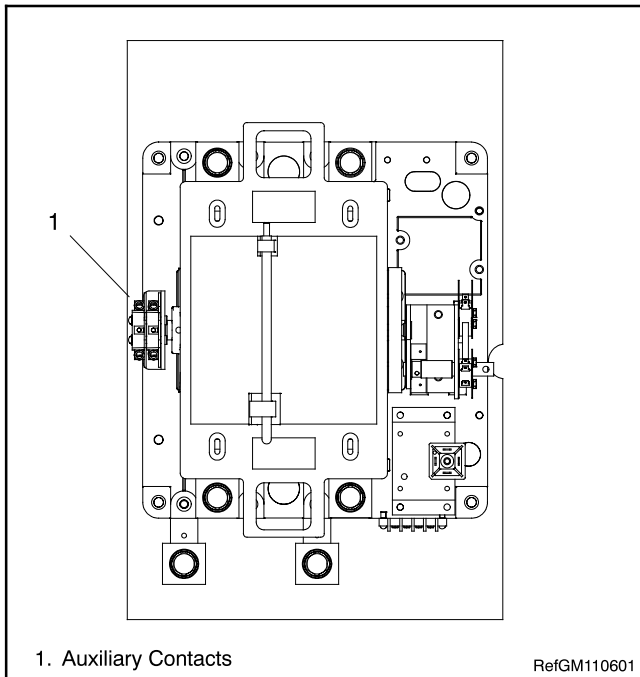


Figure 2-23 Optional Auxiliary Contacts, 400 Amp Models

2.7.2 Accessory Board

If the accessory board is installed, check the DIP switches and time delay settings and set them to the desired values. See Section 4.1.

A remote start/stop (remote test) switch and an external exerciser can be connected to the accessory board. See Section 4.2.3 for input and output connection instructions.

2.7.3 External Alarm Module (EAM)

Use category 5 network cable to connect the optional EAM (if used) to the accessory board. See Section 4.3. The accessory board is required for connection and operation of the EAM.

2.7.4 Load Shed Kit

With the load shed kit, less critical appliances can be powered by the generator set when the more important appliances are not running, allowing the use of a smaller generator set than would be needed to run all of the building's electrical equipment at the same time. For more information about the load shed kit, see Section 4.5, Load Shed Kit and Power Relay Modules. For kit installation and connection instructions, see TT-1609, Load Shed Kit Installation Instructions, provided with the kit.

2.7.5 SE Model Battery Charger Circuit Breaker Connection

The service entrance rated model transfer switch has a 15-amp single-pole circuit breaker for the generator set battery charger. The circuit breaker (CB1) is factory-wired to the accessory connection terminal block TB1. Connect the battery charger power connection to the accessory connection terminal block. For connections, see Figure 2-24 or the wiring diagrams in Section 7, Diagrams and Drawings. See Figure 2-25 for the circuit breaker and terminal block locations.

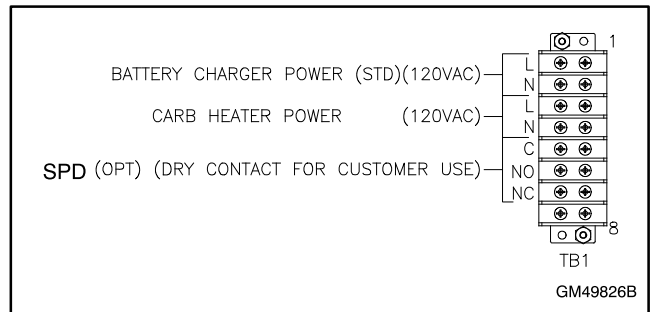


Figure 2-24 Accessory Connection Terminal Block, SE Model Only

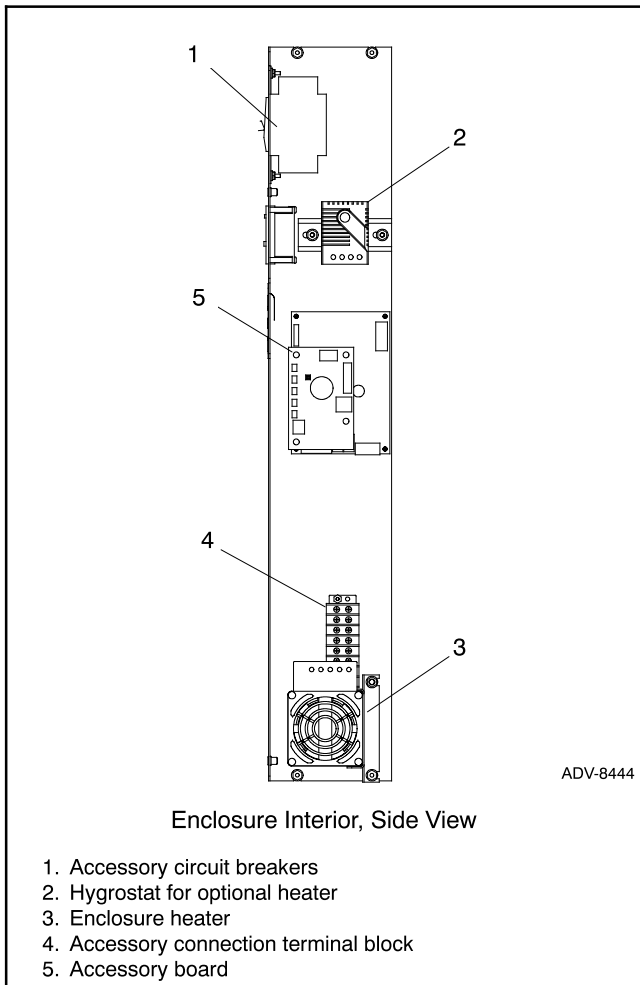


Figure 2-25 SE Model Accessory Locations, Typical

2.7.6 Other SE Model Accessory Connections

See Figure 2-25 or the dimension drawings in Section 7 for the locations of optional accessories.

The following connections can be made to accessory connection terminal block TB1. See Figure 2-25 for the terminal block location.

Engine Heater. Optional engine heater circuit breaker CB2 is a 15-amp single-pole circuit breaker.

If the generator set is equipped with a carburetor heater, connect the heater power to engine heater circuit breaker CB2 through terminal block TB1. See Figure 2-25 for the terminal block location. For connections, see Figure 2-24 or the transfer switch wiring diagram in Section 7, Diagrams and Drawings.

SPD Remote Indicator. An indicator for the optional surge protective device (SPD) can also be connected to the accessory connection terminal block. The SPD provides for remote monitoring via a normally open (NO) or normally closed (NC) circuit. The contact changes state when the SPD module needs replacement.

Connect customer-provided indicators or alarms to the SPD auxiliary contact terminals (Normal and Emergency) on terminal block TB1 to provide remote indication when the SPD needs to be replaced. See Figure 2-26 for the contact rating. See Figure 2-24 or the service entrance transfer switch wiring diagram in Section 7, Diagrams and Drawings, for connections.

Description	Contact Rating
SPD Remote Indication Contact	2 A @ 250 VAC

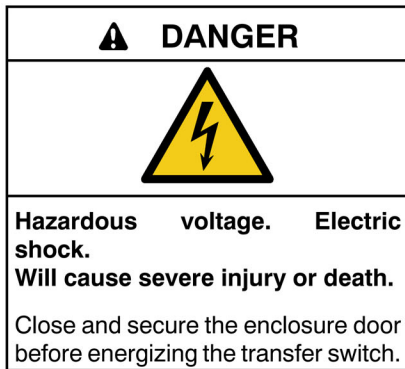
Figure 2-26 Contact Rating

Enclosure Space Heater. The enclosure space heater, if installed, is factory-wired to circuit breaker CB3 through terminal block TB1. Check the temperature and humidity settings on the space heater control. See Section 4.6.3 for recommended settings.

2.7.7 Other Accessories

Other accessories are available for the Model RDT automatic transfer switch. See Section 4 for more information and follow the installation instructions provided with the accessory kits.

2.8 Operation Test



Use the procedure below to run the transfer switch's test sequence. Loaded or unloaded test sequences can be run. The test sequence starts the generator set, and, for a loaded test, transfers the load to the emergency source. When the test ends, the transfer switch transfers the load back to the normal source and removes the engine start signal.

Refer to Section 3.5 for a description of the transfer switch sequence of operation.

Note: If the generator set fails during a test, the ATS will immediately attempt to transfer to the normal (utility) source.

Note: Install the front panel(s) or close and lock the enclosure door before starting the test procedure.

Test Procedure

1. Check the controller LED indicators to verify that the Utility Source Available and Utility Source Position indicators are lit. See Figure 3-1.
2. Verify that the generator set master switch is in the AUTO position.
3. Run a loaded or unloaded test as described below:
 - a. **Loaded Test:** Press and hold the TEST button on the controller for 6 seconds to start a loaded test. The GEN Source and Position LEDs flash to indicate that the ATS controller is set up to transfer the load during the test.
 - b. **Unloaded Test:** To start the generator set without transferring the load, hold the TEST button for 3 to 5 seconds. The GEN Position LED flashes to indicate an unloaded test.
4. Verify that the generator set engine starts and the GEN Available LED flashes.

5. For a loaded test, the switch transfers the load to the emergency source (generator set). Verify that the Utility Source Position LED goes out and the GEN Position LED lights.

6. Press and hold the Test button for 2 seconds to end the test.

7. The switch transfers the load to the normal (utility) source. Verify that the GEN Position LED goes out and the Utility Position LED lights.

Note: The retransfer time delay does not operate during the test sequence.

8. After the engine cooldown time delay, the generator set shuts down.

Note: The generator set may have an additional engine cooldown time delay that causes the engine to run after the transfer switch engine start signal is removed.

Monthly Automatic Control System Test

Test the transfer switch's automatic control system monthly.

- Verify that the expected sequence of operations occurs as the switch transfers the load to the emergency source when a preferred source failure occurs or is simulated.
- Observe the indicator LEDs included on the transfer switch to check their operation.
- Watch and listen for signs of excessive noise or vibration during operation.
- After the switch transfers the load to the standby source, end the test and verify that the expected sequence of operations occurs as the transfer switch retransfers to the preferred source and signals the generator set to shut down after a cooldown period.

2.9 Exerciser Setup

The generator set must be in automatic mode for exerciser operation. Refer to the generator set operation manual for instructions to put the generator set in AUTO.

2.9.1 Standard Exerciser

Follow the instructions below to set the exercise timer to automatically start and run the generator set for 20 minutes every week. The exerciser can be set for loaded or unloaded exercise runs. The factory settings for the exerciser are summarized in Figure 2-27.

Exerciser	
Parameter	Setting
Frequency	Weekly
Duration	20 minutes
Unloaded/ Loaded	Unloaded: Hold Exercise button for 3- 5 seconds. Loaded: Hold Exercise button for 6+ seconds.
Note: The optional accessory board allows adjustment of these parameters. See Section 4.2.5.	

Figure 2-27 Exerciser Settings

Pressing and holding the Exercise button will start an exercise run and set the exercise timer as described below. The exercise time and day are set to the time that the Exercise button is pushed. The exerciser will run at the same time on the same day each week.

While the generator set is running during an exercise period, the exercise can be ended early by pressing and holding the exercise button for 2 seconds. Ending the current exercise period early does not affect future exercise runs.

Unloaded exercise. The generator set runs, but the electrical load is not transferred. Press and hold the Exercise button for approximately 3 seconds until the GEN Available LED flashes to start an unloaded exercise and set the time and date of the next exercise run. The GEN available LED continues to flash throughout the exercise run to indicate an unloaded exercise. The generator set stops automatically after 20 minutes.

Loaded Exercise. The generator set runs and the ATS transfers the electrical load to the generator set. Hold the button for at least 6 seconds until the GEN available and GEN position LEDs flash to start a loaded exercise and set the time and date of the next exercise run. The GEN available and GEN position LEDs continue to flash throughout the exercise run to indicate a loaded exercise. After 20 minutes, the ATS transfers the load back to normal. The generator set stops automatically after the engine cooldown time delay.

Resetting the Exerciser. After the exerciser has been set, pressing and holding the Exercise button to start an exercise run at a different time resets the exerciser to that new time and day.

Clearing the Exercise Setting. If it is necessary to clear the exercise setting on the ATS controller, press and hold both the Exercise and Test buttons for at least 6 seconds.

Exercise with the RDC/DC or RDC2/DC2 Generator Set Controller

Note: When the RDT transfer switch is used with the generator sets equipped with the Kohler® Model RDC, DC, RDC2, or DC2 controller, it is possible to have two exercise settings (one set at the generator set controller, and one set at the ATS controller). If the exercise times overlap, the ATS exercise setting takes priority.

The RDC/DC and RDC2/DC2 generator set controllers allow the programming of an unloaded exercise at the generator set controller.

If the RDT transfer switch is used with a generator set with one of the controllers listed above and the unloaded exercise is set on the generator set controller, clearing the exercise on the RDT ATS controller is recommended.

2.9.2 Exerciser Options

The optional accessory board provides the option of biweekly exercise runs, adjustable exercise run duration from 5 to 50 minutes, and selection of loaded or unloaded exercises. See Section 4.1.

The optional programmable exercise timer provides more flexibility in programming additional exercise periods of different duration. See Section 4.4.

2.10 Registration

Startup Notification Form. The Startup Notification Form covers all equipment in the standby system. Complete the Startup Notification Form and register the equipment using the Kohler online Warranty Processing System.

Notes

3.1 Introduction

Red and green LEDs on the transfer switch controls indicate which sources are available, show which source is connected to the load, and flash to indicate fault conditions. Pushbuttons allow you to start and stop the generator set and set the exercise timer. See Figure 3-1.

The transfer switch uses fixed settings for time delays, voltage and frequency pickup and dropout, and other system settings. An optional accessory board allows changes to the time delays and exerciser settings and provides connections for remote test and remote exercise inputs. See Section 4.1 for information on the accessory board.

3.2 Controls

The controller's user interface panel is accessible through an opening in the transfer switch cover (the inner panel on NEMA type 3R enclosures). Figure 3-1 explains the operation of the controller pushbuttons and LED indicators.

The LEDs light steadily or flash to indicate different ATS conditions as shown in Figure 3-2. See Section 3.3 for more information on fault conditions.

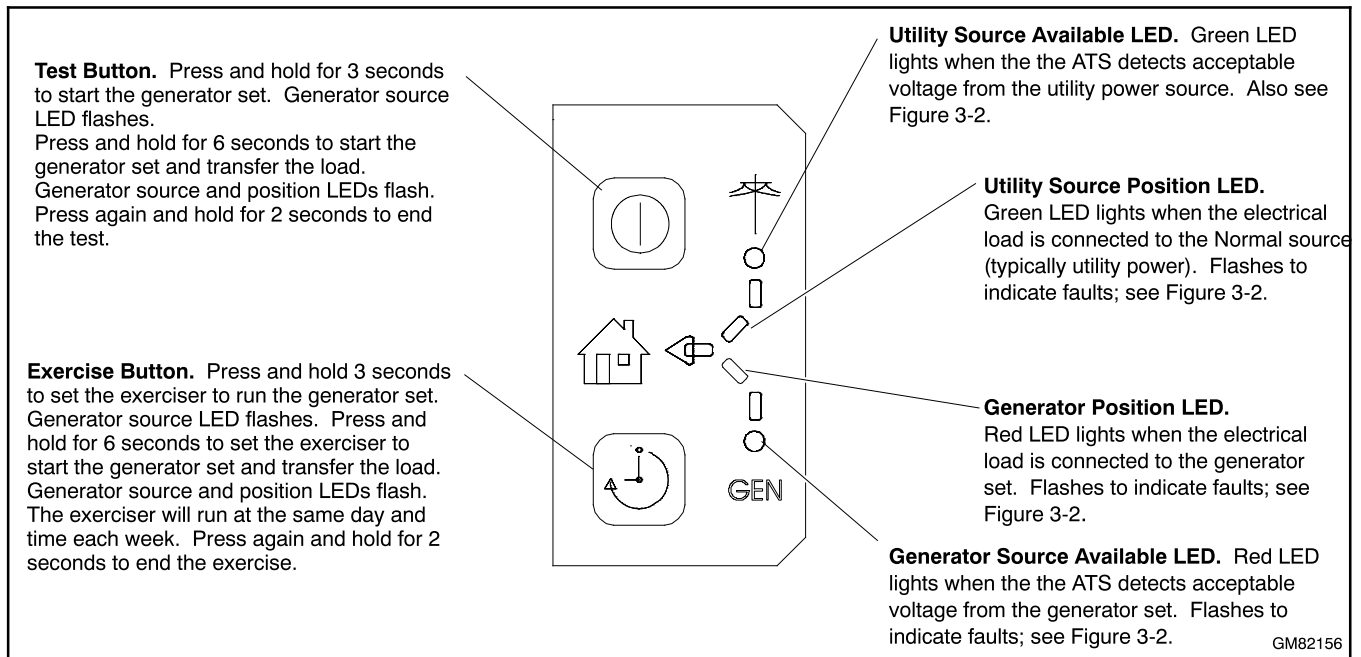


Figure 3-1 User Interface Panel

Condition	LED Indication
Utility source power available	Utility Source Available LED lights steadily.
Load connected to utility power	Utility Source Position LED lights steadily.
Generator set power available	GEN Source Available LED lights steadily.
Load connected to the generator set	GEN Position LED lights steadily.
Loaded test	GEN Available and GEN Position LEDs flash on 1 second, off 1 second.
Unloaded test	GEN Available LED flashes on 1 second, off 1 second.
Loaded exercise	GEN Available and GEN Position LEDs flash on 0.5 second, off 2 seconds.
Unloaded exercise	GEN Available LED flashes on 0.5 second, off 2 seconds.
Failure to acquire standby source fault	GEN Available LED flashes 2 times/second.
Failure to transfer fault	GEN or Utility Source Position LED flashes 2 times/second.
Auxiliary switch failure fault	GEN Position and Utility Source Position LEDs flash alternately 2 times/second.

Figure 3-2 LED Indication

3.3 Faults

The LEDs on the controller's user interface flash as shown in Figure 3-2 to indicate various fault conditions. Contact an authorized distributor/dealer for service if the fault persists.

3.3.1 Failure to Acquire Emergency Source Warning

The Failure to Acquire Emergency Source fault occurs if the transfer switch does not sense voltage from the generator set within 78 seconds after signaling the generator set to start. Check the generator set operation and the connections from the generator set to the ATS in the case of this fault.

The Failure to Acquire Emergency Time Delay is set for 78 seconds to allow for three 15-second engine cranking cycles plus 15 seconds rest between starting attempts.

The fault clears when the system acquires the emergency source.

3.3.2 Failure to Transfer Warning

The Failure to Transfer warning occurs if a signal to transfer is sent to the contactor and the position-indicating contacts do not indicate a complete transfer.

The controller will attempt to transfer three times before indicating the fault. If the transfer switch is in the Normal position, the Engine Cooldown time delay is executed and then the engine start contacts open to stop the generator set.

Reset the controller to clear the fault condition. See Section 3.4.

3.3.3 Auxiliary Switch Fault

An Auxiliary Switch fault occurs if the position-indicating contacts indicate that the ATS position changed when no transfer was called for. If the transfer switch is in the Normal position, the Engine Cooldown time delay is executed and then the engine start contacts open to stop the generator set.

An Auxiliary Switch fault also occurs if both auxiliary switches are open or closed so that the controller is unable to determine the transfer switch position.

Reset the controller to clear the fault condition. See Section 3.4.

3.4 Controller Resetting

3.4.1 Fault Reset

Always identify and correct the cause of a fault condition before resetting the ATS controller. Press and hold the Exercise and Test buttons for approximately 3 seconds until the LEDs flash to clear faults and warnings. Warnings reset automatically with a change in the source availability or a signal to transfer.

Note: The Common Fault output remains closed until the faults are reset. See Section 2.6.2.

3.4.2 Controller Reset

Press and hold both buttons for 6 seconds to reset the controller to its original state at powerup, if necessary.

Note: Resetting the controller clears the exerciser setting. Set the exercise time and day as described in Section 2.9 after resetting the controller.

3.4.3 Alarm Silence

If the transfer switch is equipped with an optional accessory board, pressing both buttons will also silence the alarm horn.

3.5 Operation Sequence

3.5.1 Source Sensing

The transfer switch controller monitors the utility power source voltage, and initiates the transfer sequence if the source voltage falls below the voltage dropout setting. Retransfer is initiated when the utility source rises above the voltage pickup settings and remains stable for at least 6 minutes. See Figure 3-3.

- Single-phase voltage sensing on both sources, $\pm 5\%$.
- Line-to-line frequency sensing on emergency (GEN) source, $\pm 2\%$.

Source Sensing	
Undervoltage dropout	80%
Undervoltage pickup	85%
Underfrequency dropout *	90%
Underfrequency pickup *	96%
* Emergency (GEN) source only	

Figure 3-3 Source Sensing

3.5.2 Transfer Sequence

Figure 3-4 illustrates the transfer sequence when the normal source fails and Figure 3-5 illustrates the sequence when it returns. Time delays before load transfer prevent nuisance transfers during brief power interruptions. See Figure 3-6. Events such as the failure of the generator set to start can change the sequence of operation.

The Failure to Acquire Emergency Time Delay is set for 78 seconds to allow for three 15-second engine cranking cycles plus 15 seconds rest between starting attempts.

If the emergency source fails and the normal source is not available, the transfer switch controller powers down until one of the sources returns.

The optional accessory board allows time delay adjustments. See Section 4.1.

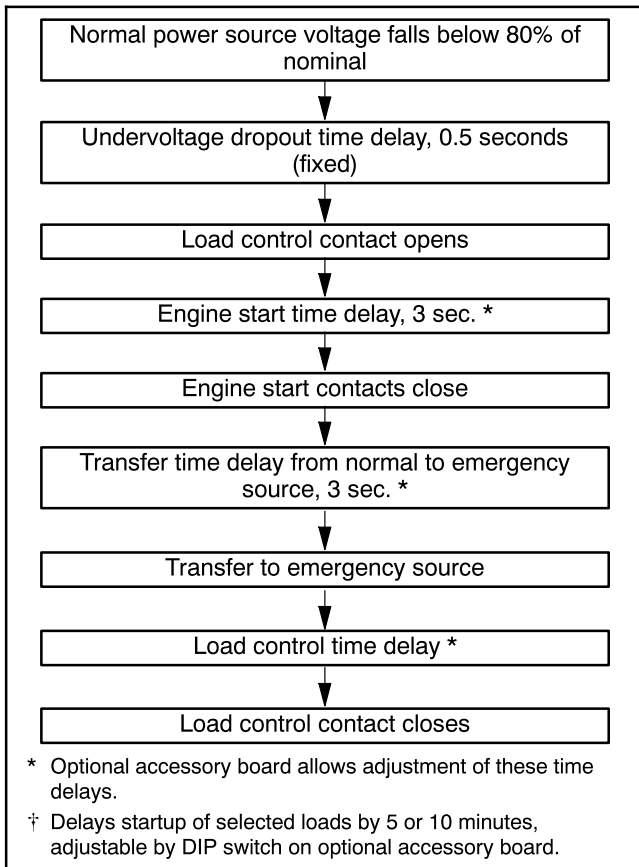


Figure 3-4 ATS Sequence of Operation, Transfer to Emergency

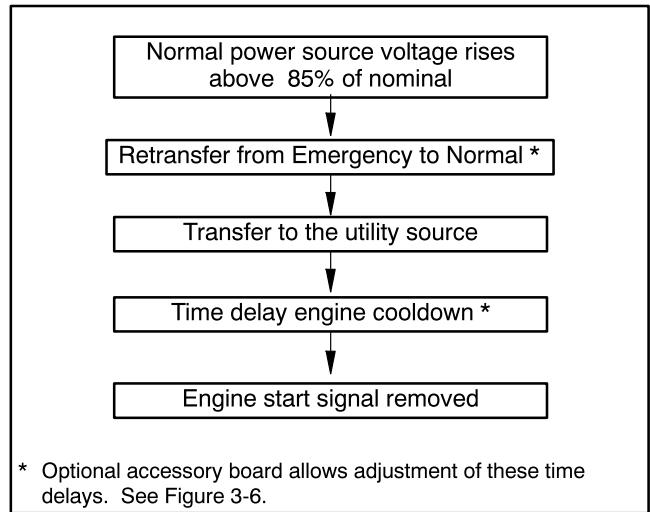


Figure 3-5 ATS Sequence of Operation, Retransfer to Normal

Time Delays			
Time Delay	Factory Setting	Adjustment with Accessory Board*	
		Range	Increment
Engine Start	3 seconds	1- 10 seconds	1 second
Transfer from Normal to Emergency	3 seconds	1- 10 seconds	1 second
Retransfer from Emergency to Normal	6 minutes	3- 30 minutes	3 minutes
Engine Cooldown	5 minutes	1- 10 minutes	1 minute
Failure to Acquire Emergency	78 seconds†	NA	
Exercise Time Duration	20 minutes	5- 50 minutes	5 minutes
Load Control Time Delay	5 minutes	5 or 10 minutes (DIP switch)	
Undervoltage Dropout Time	0.5 second	NA	
Underfrequency Dropout Time	3 seconds	NA	

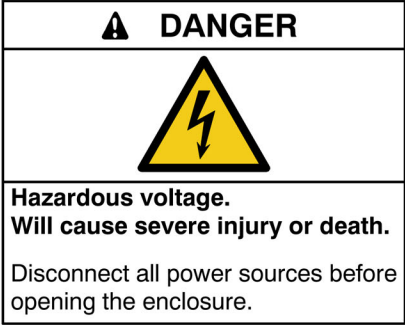
* Optional accessory board required for time delay adjustments. NA = not adjustable
 † Allows for three 15-second crank attempts separated by two 15-second rest periods.

Figure 3-6 Time Delays

Notes

4.1 Introduction

This section describes accessories that are available for use with the Model RDT transfer switch. Refer to the instructions and/or drawings provided with the accessory kit for installation instructions.



Servicing the transfer switch. Hazardous voltage will cause severe injury or death. Deenergize all power sources before servicing. Turn off the main circuit breakers of all transfer switch power sources and disable all generator sets as follows: (1) Move all generator set master controller switches to the OFF position. (2) Disconnect power to all battery chargers. (3) Disconnect all battery cables, negative (-) leads first. Reconnect negative (-) leads last when reconnecting the battery cables after servicing. Follow these precautions to prevent the starting of generator sets by an automatic transfer switch, remote start/stop switch, or engine start command from a remote computer. Before servicing any components inside the enclosure: (1) Remove all jewelry. (2) Stand on a dry, approved electrically insulated mat. (3) Test circuits with a voltmeter to verify that they are deenergized.

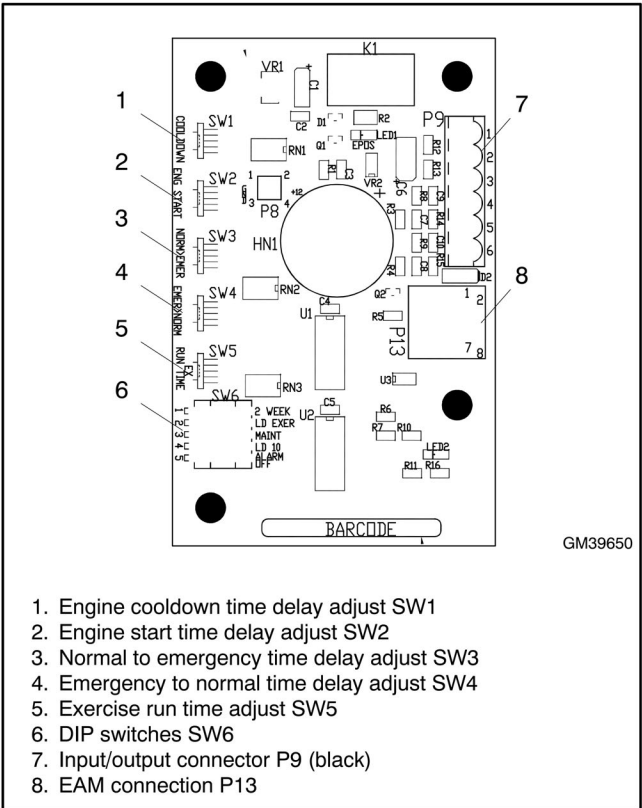
4.2 Accessory Board

The optional accessory board is mounted above the controller's main logic board. The accessory board kit is available factory-installed or as a loose kit. See Figure 2-20 and Figure 4-2 for the accessory board location.

The accessory board contains the following components:

- Audible alarm on system faults.
- Rotary switches for time delay adjustments.
- DIP switches for exercise, remote test switch operation, and load control functions.
- Connector for remote test input, programmable exerciser input, and generator set supplying load output.
- Connector for the optional External Alarm Module (EAM)

The accessory board is required if the External Alarm Module (EAM) is installed. See Section 4.3.



1. Engine cooldown time delay adjust SW1
2. Engine start time delay adjust SW2
3. Normal to emergency time delay adjust SW3
4. Emergency to normal time delay adjust SW4
5. Exercise run time adjust SW5
6. DIP switches SW6
7. Input/output connector P9 (black)
8. EAM connection P13

Figure 4-1 Accessory Board Component Locations

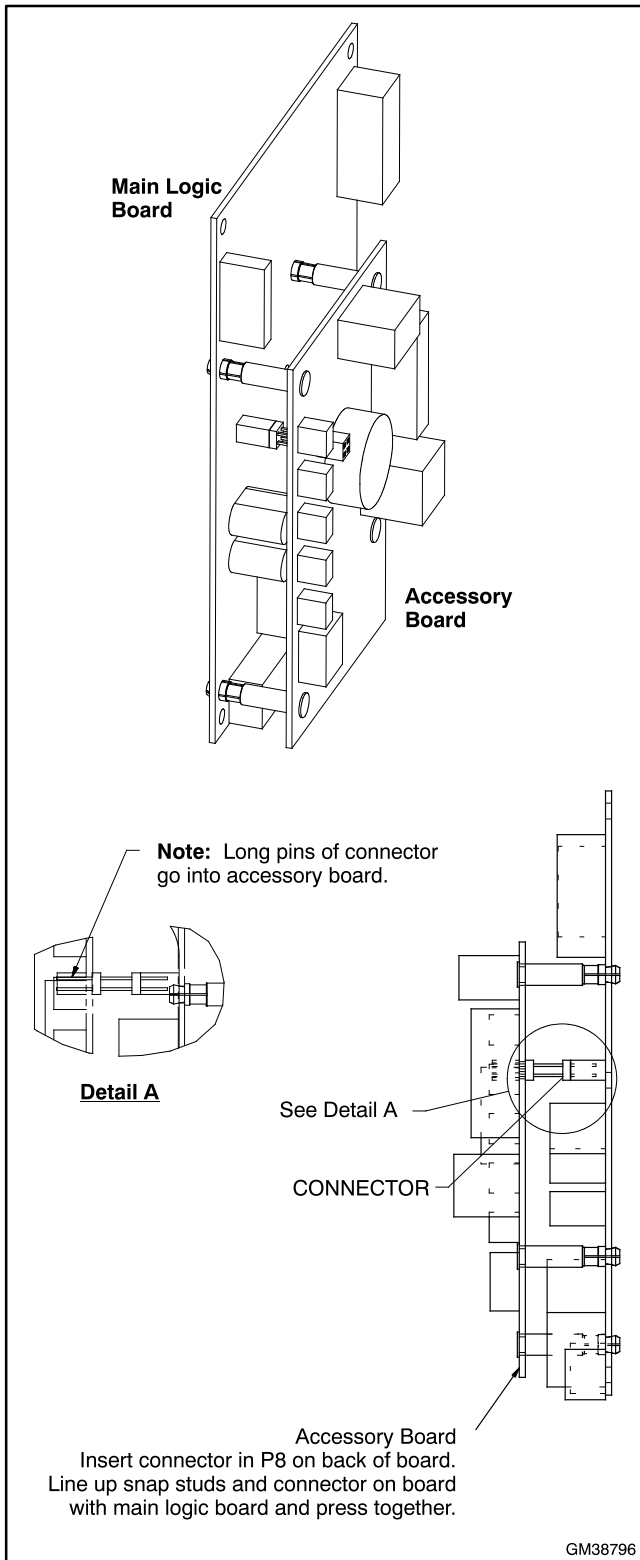


Figure 4-2 Accessory Board Installation

4.2.1 Audible Alarm

The audible alarm sounds on the fault conditions shown in Section 3.3.

Always identify and correct the cause of the fault condition before resetting the controller. Press and hold the test and exercise pushbuttons on the controller to clear the fault and silence the alarm.

4.2.2 EAM Connection (P13)

Connect the optional External Alarm Module (EAM) to P13. See Figure 4-1 for the location of connector P13. See Section 4.3.2 for EAM connection instructions.

4.2.3 Inputs and Outputs (Connector P9)

A remote test switch and an external exerciser can be connected to the black 6-pin connector P9 on the accessory board. See Figure 4-1 and Figure 4-3. P9 also includes a generator set supplying load output connection.

Note: The ATS main logic board has a similar green 6-pin connector. Do not interchange the black and green mating connectors.

Connections. Connect input and output leads to connector P9. Refer to the label on the enclosure cover or Figure 4-3 for the connections. Use #12-24 AWG wire and tighten the connections to 0.5 Nm (4.4 in. lb.).

Remote Test Input. Connect a remote switch to this input for remote starting and stopping of a loaded test. DIP switch 3 affects the operation of this switch. See Section 4.2.5, Accessory Board DIP Switches, and Section 4.3, External Alarm Module.

Generator Set Supplying Load Output. This output provides a closed contact to indicate that the generator set is supplying the load when the transfer switch is in the Emergency position and the GEN source is available. Connect to customer-supplied equipment.

Remote Exercise Input. Connect the optional Programmable Exerciser to this input to allow scheduling of additional loaded or unloaded generator set exercise runs. DIP switch 2 affects the operation of

this input. See Section 4.2.5, Accessory Board DIP Switches.

See Section 4.4 and TT-1403, Programmable Exerciser Instructions, for more information about the programmable exerciser.

Note: Always replace the cover before energizing the transfer switch controls.

Function	Terminals, Connector P9
Generator set supplying load output Contact rated 10 amps @ 120VAC	1 - 2
Remote exercise input	3 - 4
Remote test input	5 - 6

Figure 4-3 Accessory Board Inputs and Outputs

4.2.4 Time Delay Adjustment Switches

The 10-position rotary switches allow adjustment of the time delays shown in Figure 4-4. Use a small screwdriver or other small tool to increase or decrease the time delays within the range shown in the table. The rotary switch positions range from 1 to 10, with position 10 labeled 0 (zero).

The factory settings are the same as the controller time delays without the optional accessory board.

Time Delay	Factory Setting		Adjustment with Accessory Board	
	Setting	Switch Position (1-10[0])	Range	Increment
Engine Cooldown	5 minutes	5	1-10 minutes	1 minute
Engine Start	3 seconds	3	1-10 seconds	1 second
Transfer from Normal to Emergency	3 seconds	3	1-10 seconds	1 second
Retransfer from Emergency to Normal	15 minutes	5	3-30 minutes	3 minutes
Exercise Run Time	20 minutes	4	5-50 minutes	5 minutes

Figure 4-4 Accessory Board Time Delay Adjustments

Switch	Off (Open)	On (Closed)	Notes
1 2 Week Exercise	1 week	2 Weeks	For the exercise button on the controller's user interface.
2 Loaded Exercise	Unloaded	Loaded	For automatic exercise runs set at the controller (excluding the first exercise) or set on the optional programmable exercise timer.
3 Maintained Test	Momentary	Maintained	For an optional remote switch, such as the start/stop switch on the EAM.
4 Load Control	5 Minutes	10 Minutes	For delayed connection of selected large loads to the generator set.
5 Alarm	Alarm Disabled	Alarm Enabled	For the alarm horn on the accessory board (inside the ATS enclosure). Does not affect the alarm horn on the External Alarm Module.

Figure 4-5 Accessory Board DIP Switches

4.2.5 DIP Switches

DIP switches on the optional accessory board control the exercise, remote test, and load control functions. The DIP switch location is shown in Figure 4-1. The DIP switch functions are summarized in Figure 4-5. Check the DIP switch settings and adjust if necessary for the application.

1 Week/2 Week Exercise. Switch 1. This switch controls the frequency for exercise runs that are set by pressing the Exercise button on the ATS controller. This switch does not affect exercise periods set through the optional programmable exerciser. If the setting is changed after the exerciser has been set, the new DIP switch setting becomes effective *after* the next exercise.

Loaded/Unloaded Exercise. Switch 2. This switch controls automatic exercise runs. The first exercise started by pressing the Exercise button on the controller is not affected by this switch. All subsequent automatic exercise runs will be loaded or unloaded according to this switch setting.

An unloaded exercise starts and runs the generator set. A loaded exercise starts the generator set and transfers the electrical load. See Section 2.9, Exerciser Setup, for more information.

Maintained/Momentary Test. Switch 3.

- With DIP switch 3 in the ON (maintained) position, close a remote test switch or contact to start and run the generator set. Open the remote contact to end the test and signal the generator set to stop.

Set DIP switch 3 to ON if the EAM is connected.

- With DIP switch 3 in the OFF (momentary) position, hold the test switch for 1 second and release to start a test. The remote switch must be held closed for at least 1 second. Press the test switch again to stop the test and signal the generator set to stop.

Note: Some generator sets may continue to run for an engine cooldown time period after receiving the remote stop signal.

Load Control. Switch 4. Sets the load control time delay to 5 or 10 minutes. See Section 2.6.2.

Alarm Enable. Switch 5. Enables or disables the alarm horn on the accessory board. If this switch is changed while the horn is sounding, allow several seconds for the change to register and the horn to stop.

Install the front panel(s) or close and lock the enclosure door before energizing the transfer switch.

4.3 External Alarm Module (EAM)

The optional External Alarm Module (EAM) is illustrated in Figure 4-6. The EAM:

- Allows remote starting and stopping of the generator set and load transfer.
- Provides remote indication that the generator set is supplying the load.
- Provides remote indication of the system faults listed in Section 3.3.

The EAM can be installed indoors up to 152 m (500 ft.) away from the generator set.

Note: The optional accessory board is required for EAM connection and operation.

The EAM is powered through the accessory board. The EAM also contains a rechargeable battery that powers the module for up to 1 hour when no power is available. The battery recharges in place when the power returns. See TT-1416, Installation Instructions, provided with the EAM for more information.

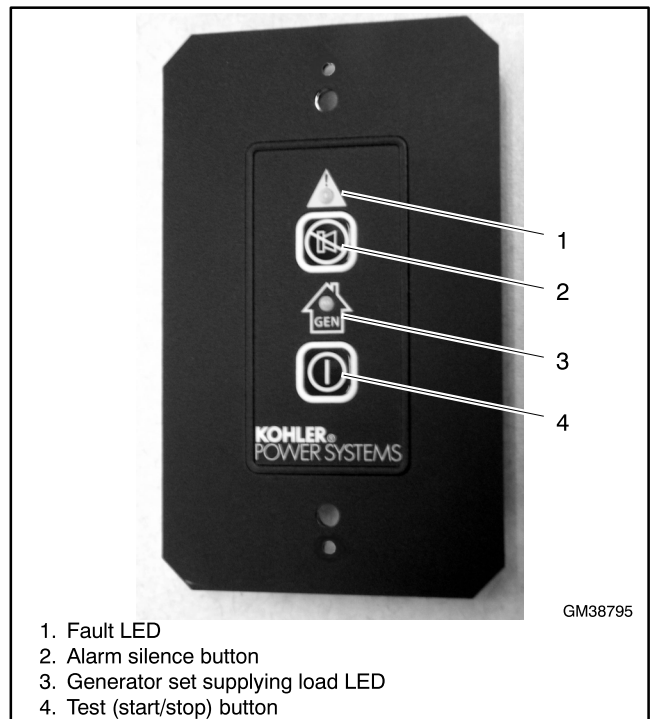


Figure 4-6 External Alarm Module (EAM)

4.3.1 Installation

Locate the EAM indoors in a convenient location up to 152 m (500 ft.) from the transfer switch. The EAM is designed for indoor installation only. Mount the EAM in a standard 21 cu. in. utility box with standard GFCI cover (not provided with kit).

Set DIP switch 3 on the accessory board to the ON (maintained) position. See Section 4.2.5.

4.3.2 Connection

Use Category 5 straight networking cable with RJ45 connectors to connect P10 on the EAM circuit board to connector P13 on the accessory board. Cable is not supplied with the accessory kit; obtain the length of cable required for the application locally. Use a maximum cable length of 152 m (500 ft.).

4.3.3 EAM Operation

See Figure 4-6 for an illustration of EAM buttons and indicators.

Test (start/stop) button. Press and hold the Test (Start/Stop) button until the GEN LED flashes (approximately 1 second) to start the generator set and transfer the load. If no power source is available, the EAM will attempt to start the generator set until the EAM battery discharges (10- 15 seconds).

Press and hold the button until the GEN LED flashes again to transfer back to the utility source and stop the generator set. Pressing the test button will not stop the generator set if utility power is not available.

Note: The operation of the Test button is affected by the Maintained/Momentary Test DIP switch on the accessory board. Set DIP switch 3 to the ON (maintained) position.

When the EAM Test button is used to start the generator set and transfer the load, the audible alarm chirps once every 10 minutes to indicate that the system has been started remotely and is running.

Alarm silence button. Press the alarm silence button to silence the alarm. Press the button again to reactivate the alarm. The alarm silence button also acts as a lamp test button. Press it to light all of the EAM LEDs.

4.3.4 EAM Indicators

Figure 4-7 summarizes the operation of LEDs and the audible alarm.

LEDs		Alarm	Condition
GEN	Steady	One chirp/10 minutes	Emergency power system supplying load after a remote start signal from the EAM Test button.
GEN	Steady	None	Emergency power system supplying load due to automatic start after utility power loss or exercise run.
GEN	Flashing Fast (every second)	None	Supply load in silent mode.
GEN	Flashing Slow (every 2 seconds)	None	System starting or stopping in response to Test (Start/Stop) button.
Fault	Steady	Three chirps/10 minutes	Power system fault or EAM low battery.
Fault	Flashing		Test did not start within 2 minutes of Test button activation.

Figure 4-7 EAM LED and Audible Alarm Operation

Generator Set Supplying Load LED. Lights steadily to indicate that the generator set is running and connected to the electrical load.

When the test button is pressed to start a test, the LED flashes slowly until the generator set starts and the ATS transfers the load. When the Test button is pressed to stop a test, the LED flashes slowly until the generator set stops.

Fault LED. Lights steadily to indicate a system fault. Flashes slowly to indicate that a test did not start within 2 minutes after the Test button was pressed.

Audible alarm. The audible alarm can indicate that the system is running or that there is a fault.

- **System Running:** The alarm sounds to indicate that the generator set has been started by a remote start command from the EAM. The alarm does *not* sound if the system is running due to an exercise run or due to an automatic start triggered by loss of the utility power.
- **Faults:** The alarm sounds and the fault LED lights or flashes to indicate power system faults or a low battery in the alarm module. See Figure 4-7.

4.4 Programmable Exerciser

The optional programmable exerciser is a 7-day timer that allows programming of up to 8 on/off events per day. Use it to program weekly exercise periods in addition to the exercise time set through the ATS controller. The timer mounts inside the ATS enclosure. See Figure 4-8.



Figure 4-8 Programmable Exerciser

Note: The optional accessory board is required for programmable exerciser connection and operation.

Programmable exerciser features include:

- Seven-day programmable timer allows scheduling up to 56 on/off events.
- LCD display indicates day, time, program/run modes, on/off status, and skip cycle status.
- Skip next cycle button.
- 5-year lithium backup battery.

The programmed exercise periods operate in addition to an exercise period set by pressing the exercise button on the ATS controller.

Connect the programmable exerciser to the remote exercise terminals on accessory board connector P9. See Section 4.2.3 and the wiring diagram in Section 7. Refer to the instruction sheet provided with the programmable exerciser for programming instructions.

4.5 Load Shed Kit and Power Relay Modules

The load shed kit assembly is shown in Figure 4-11. The load shed kit mounts inside the transfer switch enclosure. Follow the instructions in TT-1609, Load Shed Kit Installation Instructions, to install and connect the load shed kit. TT-1609 is provided with the kit.

The load shed kit is designed to work with single-phase residential/commercial generator sets that are equipped with the RDC2 controller.

The load shed kit provides an automatic load management system to comply with NEC requirements. The installer is responsible for ensuring that the power system installation complies with all applicable state and local codes.

Many appliances do not run continuously. Air conditioners and furnaces, refrigerators, sump pumps, and other appliances cycle on and off as needed. With the load shed kit, less critical appliances can be powered by the generator set when the more important appliances are not running, allowing the use of a smaller generator set than would be needed to run all of the building's electrical equipment at the same time.

The load shed kit automatically manages up to six residential loads.

- Two relays are included to control two independent heating, ventilation, and air conditioning (HVAC) loads.
- Four (4) pilot relays are provided on the load shed board for connection of load-switching contactors/relays. See Figure 4-9 for the specifications of the circuit board relays.

Up to four (4) Kohler 50 amp power relay modules or customer-supplied normally closed power relays can be connected through normally open relay contacts on the circuit board. See Figure 4-10 for specifications for customer-supplied relays. Customer-supplied relays must be either normally closed or double-pole double-throw (DPDT). Note that the load must be connected to the normally closed contacts of the relay. Kohler® Power Relay Modules are recommended.

Circuit Board Relays	Contact Rating
Pilot Relays and HVAC Relays (qty. 2)	125VAC, 10 A (general purpose) 120VAC, 125VA (pilot duty)

Figure 4-9 Load Shed Kit Relay Specifications

Power Relay Specifications	
Relay Rating	50 A @ 240 VAC
Relay Type	DPST - NC or DPDT
Coil Voltage	120 VAC

Figure 4-10 Customer-Supplied Power Relay Specifications

Kohler® power relay modules include one power relay mounted inside a NEMA type 3R enclosure. Connect up to four (4) power relay modules to the load shed kit. See Figure 4-12 for an illustration of a power relay module.

Before starting the installation, confirm that the generator set is equipped with an RDC2 or DC2 controller. RDC2/DC2 controller firmware version 5.04 or higher is required. Check the version number on the controller and update the firmware, if necessary.

An adequate electrical supply is required for operation of the customer-supplied relays connected to the load shed kit. 120 VAC relays require a customer-supplied voltage source. Check the electrical requirements of the customer-provided equipment prior to installation to determine the wire size and circuit protection required. Verify that customer-provided equipment complies with applicable local and national electrical codes.

Figure 4-13 shows a simple diagram of a power system with load management. For detailed installation and

connection instructions, refer to the installation instructions provided with the load shed kit and the instructions provided with the power relay modules.

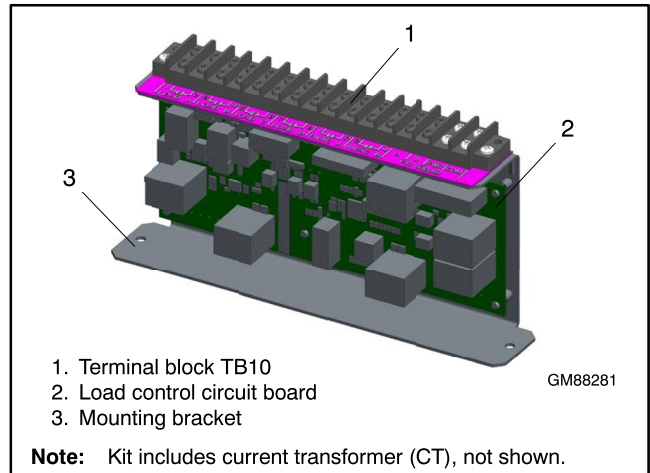


Figure 4-11 Load Shed Kit Assembly

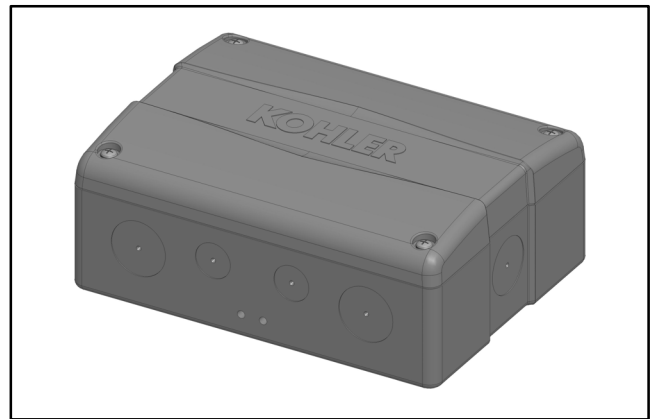


Figure 4-12 Power Relay Module

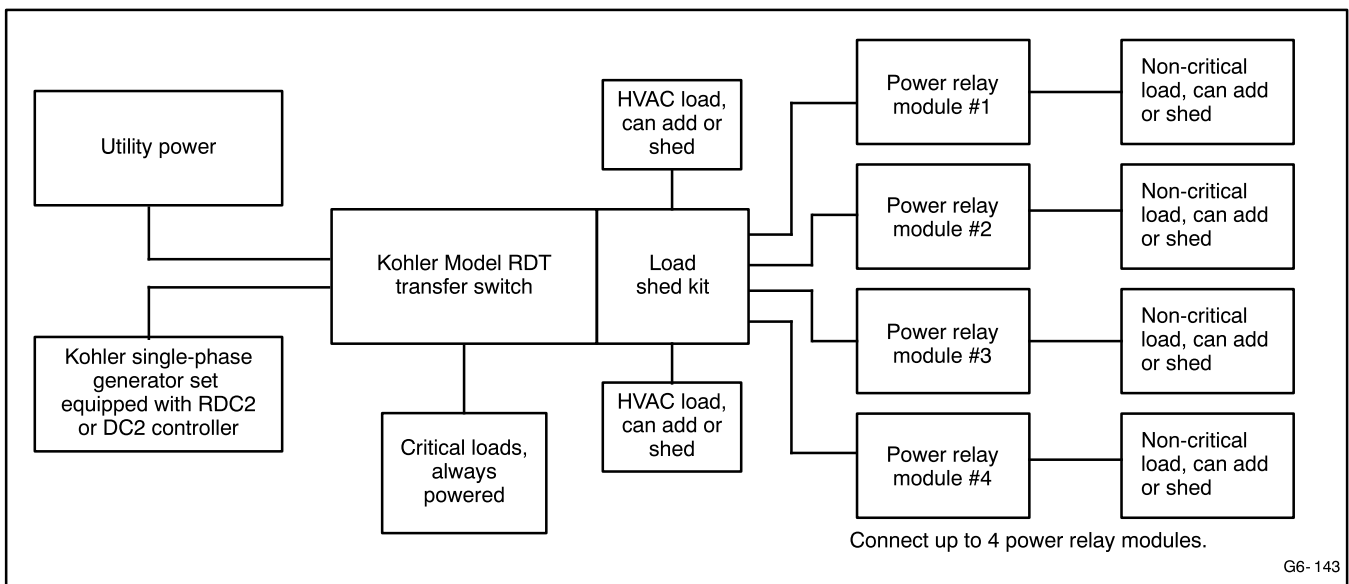


Figure 4-13 Power System with Load Management

4.6 Model SE Accessories

The service entrance (SE) model transfer switch offers all of the accessories discussed in previous sections plus the additional accessories discussed here. See Figure 4-14 for model SE accessory locations.

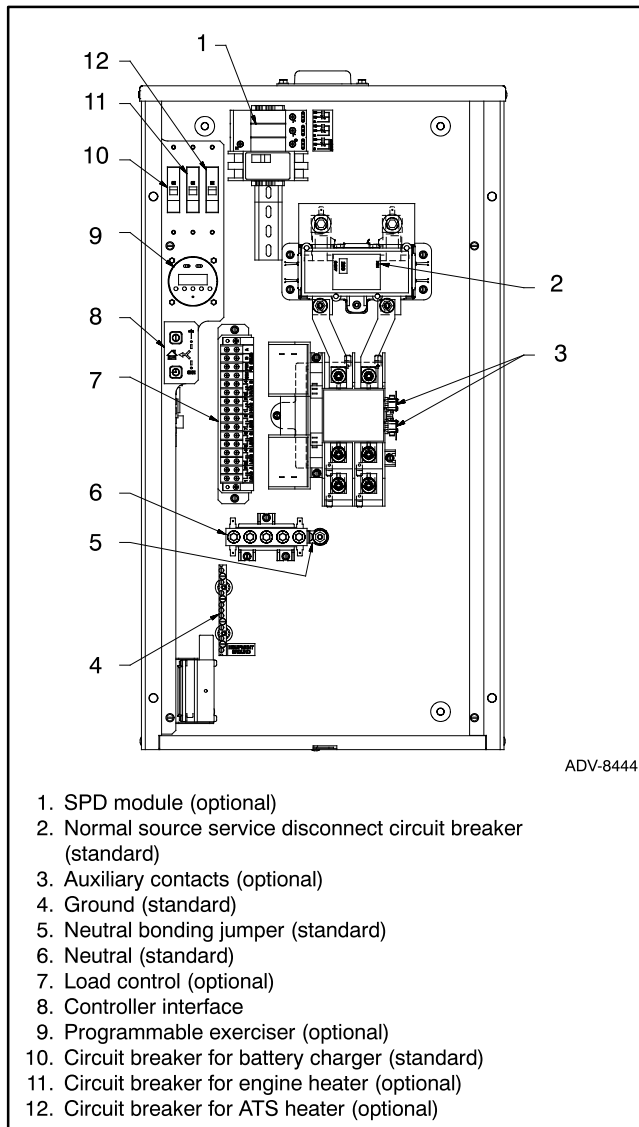


Figure 4-14 200 Amp Model SE Accessory Locations

4.6.1 Accessory Circuit Breakers (Model SE)

Optional 15-amp single-pole circuit breakers for the generator set carburetor heater and the transfer switch space heater are available for the service entrance model transfer switch. See Section 2.7.6 for connection instructions.

The service entrance model includes a 15-amp single-pole circuit breaker for the generator set battery charger as standard equipment.

Circuit Breaker Trip/Reset

The trip indication window appears red when the breaker is tripped. Identify and correct the cause of the overcurrent trip before resetting the breaker.

To reset the circuit breaker, move the breaker handle to the O/OFF position and then back to I/ON.

4.6.2 Surge Protective Device (SPD) (Model SE)

An optional surge protective device (SPD) is available for the service entrance model transfer switch. Installed on the Normal source side, the SPD protects the system from voltage surges, preventing damage to household loads. The SPD resets automatically. See Figure 4-15 for a typical SPD assembly. See Figure 4-16 for SPD specifications.

Status Indicator

A status indicator on each Surge Protection Device (SPD) module indicates the SPD condition. A green indicator shows that the SPD is providing protection. When the status indicator is red, the SPD no longer provides protection. Check the status indicator every 2 months and have an authorized distributor/dealer replace the SPD cartridge when necessary.

Note: All wires must be connected and power applied for the LEDs to illuminate.

Remote SPD Status Indication

A customer-supplied indicator for the SPD can be connected to provide remote indication when the SPD needs to be replaced. The contact changes state when the SPD module needs replacement. See the decal on the SPD assembly for connections.

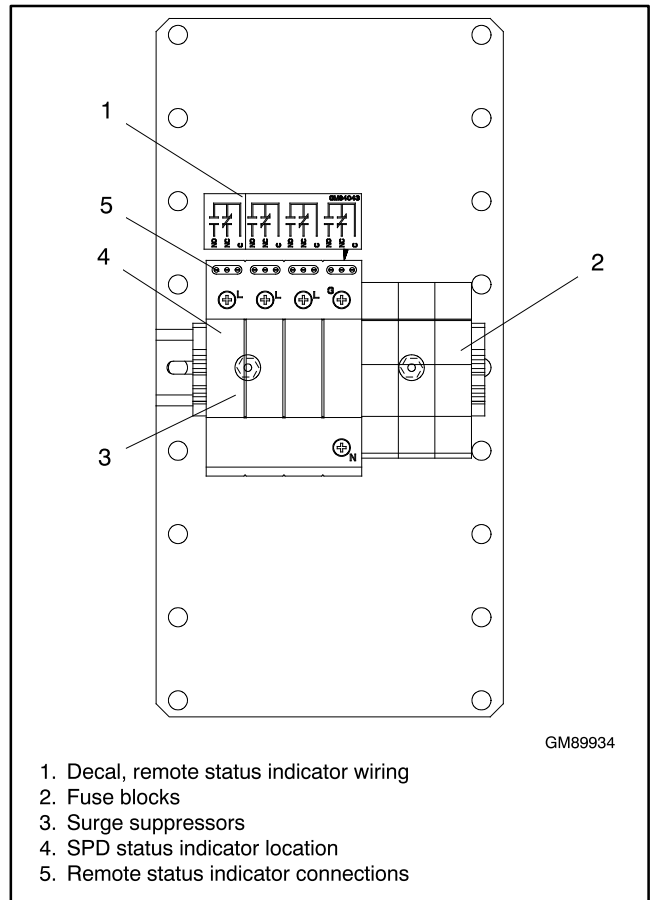


Figure 4-15 SPD Assembly, Typical

Nominal Voltage (V ± 15%)	Max. Discharge Current (kA)	Phase	Poles	UL VPR 3rd Ed (L-N/N-G/L-G) (kV)	Limiting Voltage, (L-N/N-G/L-G) (kV)		Short Circuit Withstand Current (kA)	Maximum Continuous Operating Voltage (VAC)
					at 3kAmps	at 10kAmp		
120/240	40	Split	3	0.6 / 1.2 / 0.7	0.6 / 0.4 / 0.6	0.8 / 0.7 / 0.8	200	175 / 350

Figure 4-16 SPD Specifications

4.6.3 Enclosure Space Heater (Model SE)

An optional enclosure space heater is available for the service entrance model transfer switch. The heater prevents condensation on the electrical components inside the enclosure.

The space heater control is located on the left side of the enclosure. See ADV-8444 or ADV-8445 in Section 7 for the location of the space heater and controls. See the accessory schematic diagrams in Section 7 for connections.

The space heater is equipped with an adjustable temperature and humidity control. See Figure 4-18.

The space heater will include either temperature/humidity control GM 47356 or humidity control GM64488. See Figure 4-17 for temperature and relative humidity adjustment ranges and factory settings. Adjust the temperature and relative humidity to prevent condensation. The appropriate settings will vary with location and climate conditions.

Control	Control	Adjustment Range
GM47356	Temperature	32- 140° F
	Relative Humidity	50- 90%
GM64488	Relative Humidity	35- 95%

Figure 4-17 Heater Control Settings

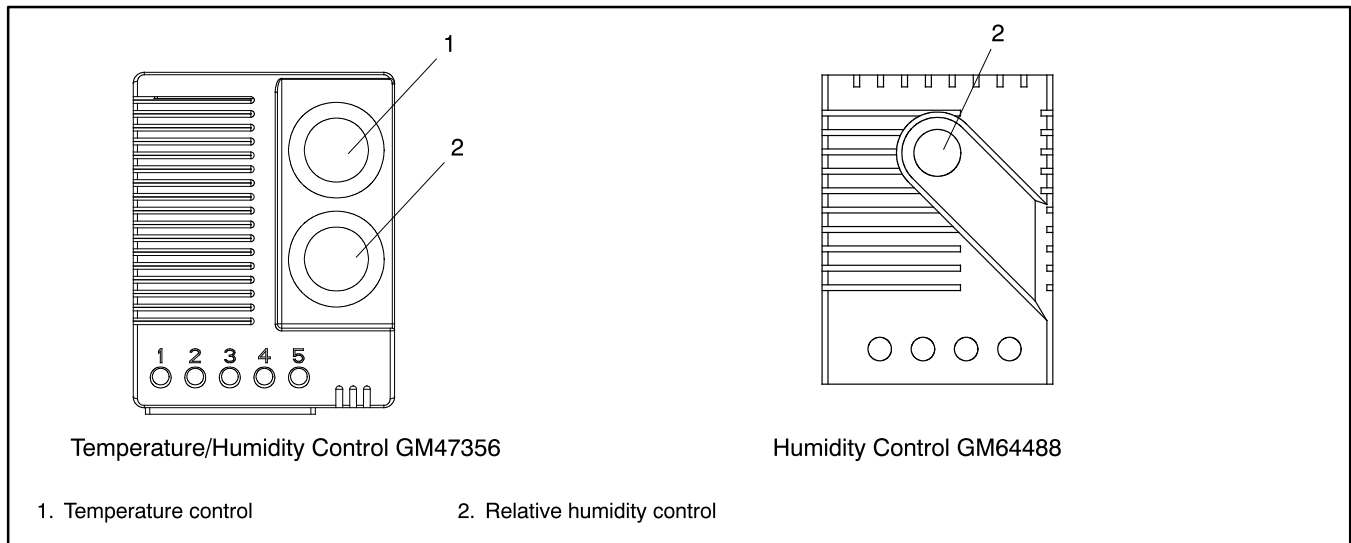
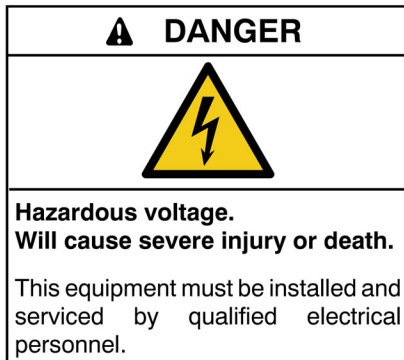


Figure 4-18 Space Heater Controls

Section 5 Service Disconnect, SE Model

Note: This section applies only to service entrance model transfer switches.



5.1 Service Disconnect Procedure

Use the following procedure to disconnect the utility source on service entrance model transfer switches.

Note: Power is still present on the input side of the utility source circuit breaker after this procedure.

1. Prevent the emergency generator set from starting:
 - a. Turn the generator set OFF.
 - b. Disconnect power to the generator set battery charger.
 - c. Disconnect the generator set engine starting battery, negative (-) lead first.
2. On the transfer switch, remove the enclosure front panel. Do not remove the inner panel.
3. Move the utility source circuit breaker to the OFF position.
4. Check the LEDs on the transfer switch controller's user interface. Both the Utility Available and GEN Available LEDs should be off.

Note: Power is still present on the input side of the utility source circuit breaker. Do not remove the protective barrier around the utility source connection lugs.

5. To lock out the transfer switch, replace the enclosure front panel and attach a padlock to the hasp.

5.2 Source Circuit Breaker Reset

If the utility source circuit breaker trips due to an overcurrent condition, the transfer switch will issue an engine start signal and then transfer to the emergency source when it is available.

When the circuit breaker trips, the handle moves to an intermediate position. To reset a tripped circuit breaker, move the handle to the extreme OFF position and then to the ON position.

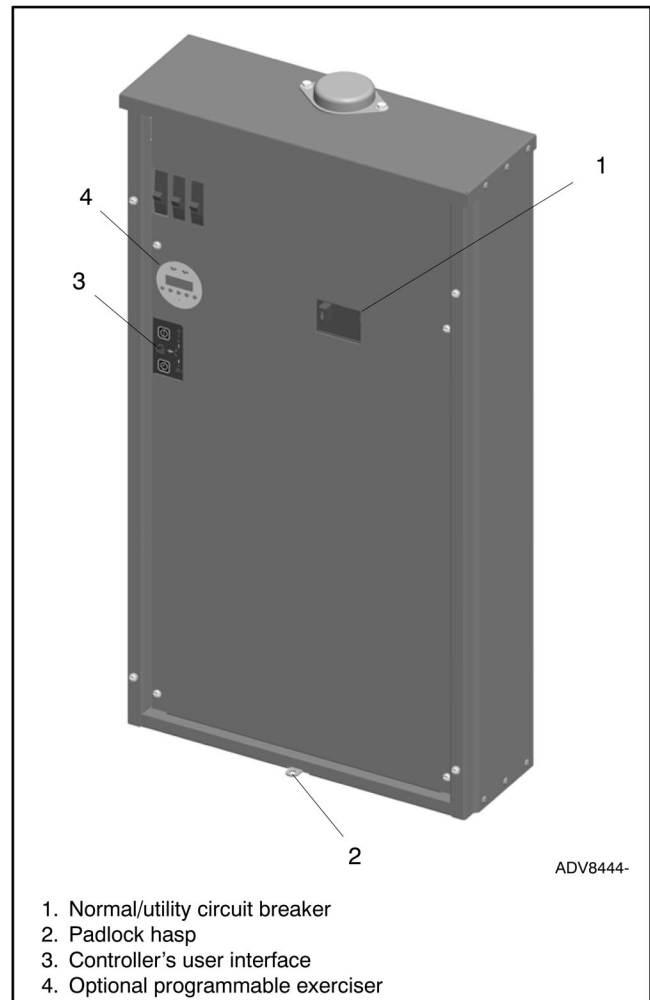


Figure 5-1 Service Entrance Model, Front Panel Removed (200 Amp model shown)

Notes

Section 6 Scheduled Maintenance

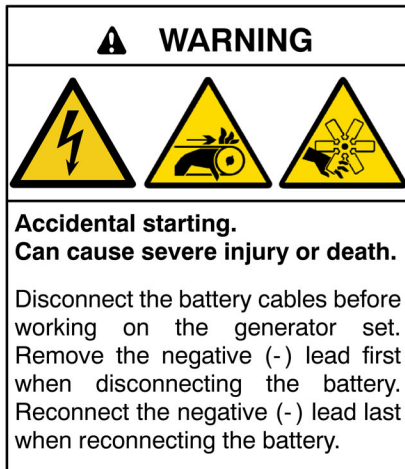
6.1 Introduction

Regular preventive maintenance ensures safe and reliable operation and extends the life of the transfer switch. Preventive maintenance includes periodic testing, cleaning, inspection, and replacement of worn or missing components.

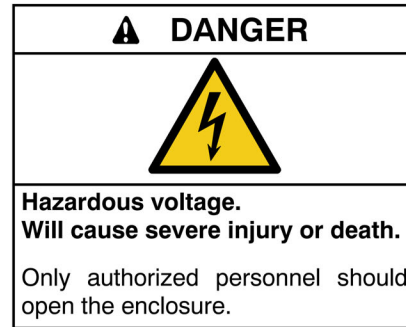
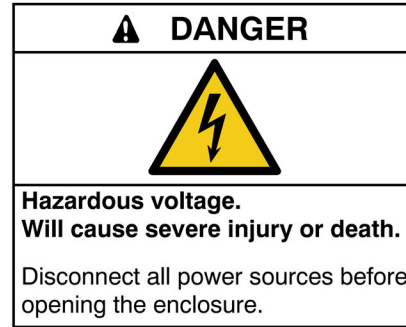
A local authorized distributor/dealer can provide complete preventive maintenance and service to keep the transfer switch in top condition. Unless otherwise specified, have maintenance or service performed by an authorized distributor/dealer in accordance with all applicable codes and standards. See the Service Assistance section in this manual for how to locate a local distributor/dealer.

Keep records of all maintenance or service.

Replace all barriers and close and lock the enclosure door after maintenance or service and before reapplying power.



Disabling the generator set. Accidental starting can cause severe injury or death. Before working on the generator set or equipment connected to the set, disable the generator set as follows: (1) Move the generator set master switch to the OFF position. (2) Disconnect the power to the battery charger. (3) Remove the battery cables, negative (-) lead first. Reconnect the negative (-) lead last when reconnecting the battery. Follow these precautions to prevent starting of the generator set by an automatic transfer switch, remote start/stop switch, or engine start command from a remote computer.



Grounding the transfer switch. Hazardous voltage can cause severe injury or death. Electrocutation is possible whenever electricity is present. Open main circuit breakers of all power sources before servicing equipment. Configure the installation to electrically ground the transfer switch and related equipment and electrical circuits to comply with applicable codes and standards. Never contact electrical leads or appliances when standing in water or on wet ground, as the chance of electrocution increases under such conditions.

Servicing the transfer switch. Hazardous voltage will cause severe injury or death. Deenergize all power sources before servicing. Turn off the main circuit breakers of all transfer switch power sources and disable all generator sets as follows: (1) Move all generator set master controller switches to the OFF position. (2) Disconnect power to all battery chargers. (3) Disconnect all battery cables, negative (-) leads first. Reconnect negative (-) leads last when reconnecting the battery cables after servicing. Follow these precautions to prevent the starting of generator sets by an automatic transfer switch, remote start/stop switch, or engine start command from a remote computer. Before servicing any components inside the enclosure: (1) Remove all jewelry. (2) Stand on a dry, approved electrically insulated mat. (3) Test circuits with a voltmeter to verify that they are deenergized.

Short circuits. Hazardous voltage/current will cause severe injury or death. Short circuits can cause bodily injury and/or equipment damage. Do not contact electrical connections with tools or jewelry while making adjustments or repairs. Remove all jewelry before servicing the equipment.

NOTICE

Electrostatic discharge damage. Electrostatic discharge (ESD) damages electronic circuit boards. Prevent electrostatic discharge damage by wearing an approved grounding wrist strap when handling electronic circuit boards or integrated circuits. An approved grounding wrist strap provides a high resistance (about 1 megohm), *not a direct short*, to ground.

6.2 Inspection and Service

Contact an authorized distributor/dealer to inspect and service the transfer switch annually and also when any wear, damage, deterioration, or malfunction of the transfer switch or its components is evident or suspected.

Have an authorized distributor/dealer perform scheduled maintenance, service, and other maintenance that ensures the safe and reliable operation of the transfer switch, including but not limited to:

- Accumulations of dirt, dust, moisture, or other contaminants
- Worn, missing, or broken components
- Loose hardware
- Wire or cable insulation deterioration, cuts, or abrasion
- Signs of overheating or loose connections
- Test the transfer switch's automatic control system.

Section 7 Diagrams and Drawings

Drawings are arranged in alphanumeric order on the following pages. Some drawings have multiple pages.

Diagram or Drawing	Drawing Number	Page
Enclosure Dimensions Drawings		
100 Amp NEMA 1 without Load Center	ADV-8437D	50
100 Amp NEMA 1 with Load Center	ADV-9181	56
100 Amp NEMA 3R without Load Center	ADV-8440E	52
100 Amp NEMA 3R with Load Center	ADV-9183	58
200 Amp NEMA 1 without Load Center	ADV-8438D	51
200 Amp NEMA1 with Load Center	ADV-9182	57
200 Amp NEMA 3R without Load Center	ADV-8441E	53
200 Amp NEMA 3R with Load Center	ADV-9184	59
200 Amp NEMA 3R Service Entrance Switch	ADV-8444D	54
200 Amp NEMA 3R Service Entrance Switch with Load Center	ADV-9185	60
400 Amp NEMA 1 or NEMA 3R without Load Center	ADV-9769	65
400 Amp NEMA 3R Service Entrance Switch	ADV-9767	63
Schematic/Wiring Diagrams		
100/200 Amp without Load Center	GM115967	70
100/200 Amp with Load Center	GM115970	79
400 Amp without Load Center	GM115966	67
200 Amp Service Entrance Switch	GM115969	76
200 Amp Service Entrance Switch with Load Center	GM115971	81
400 Amp Service Entrance Switch	GM115968	72

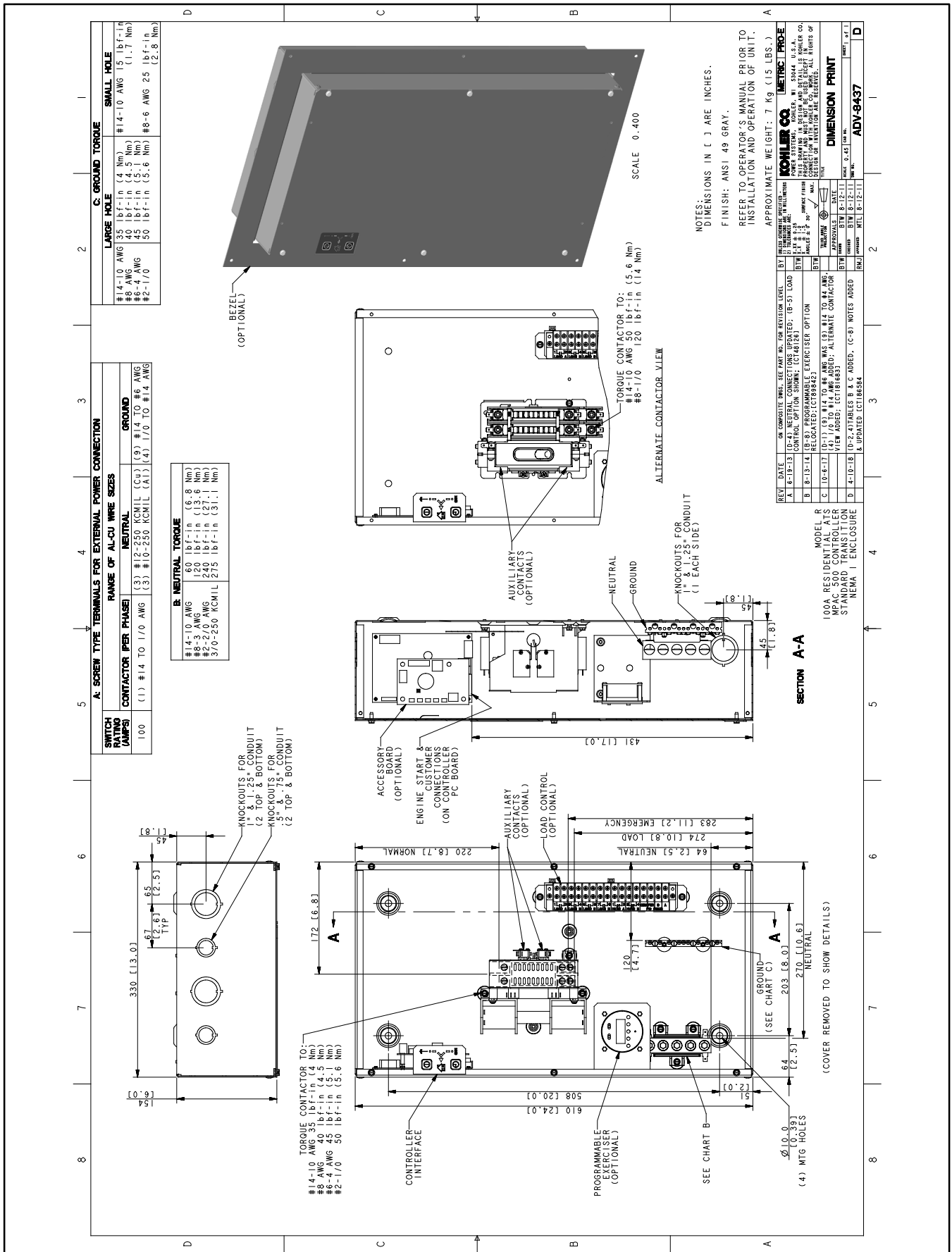


Figure 7-1 Enclosure Dimensions 100 Amp NEMA 1 without Load Center, ADV-8437

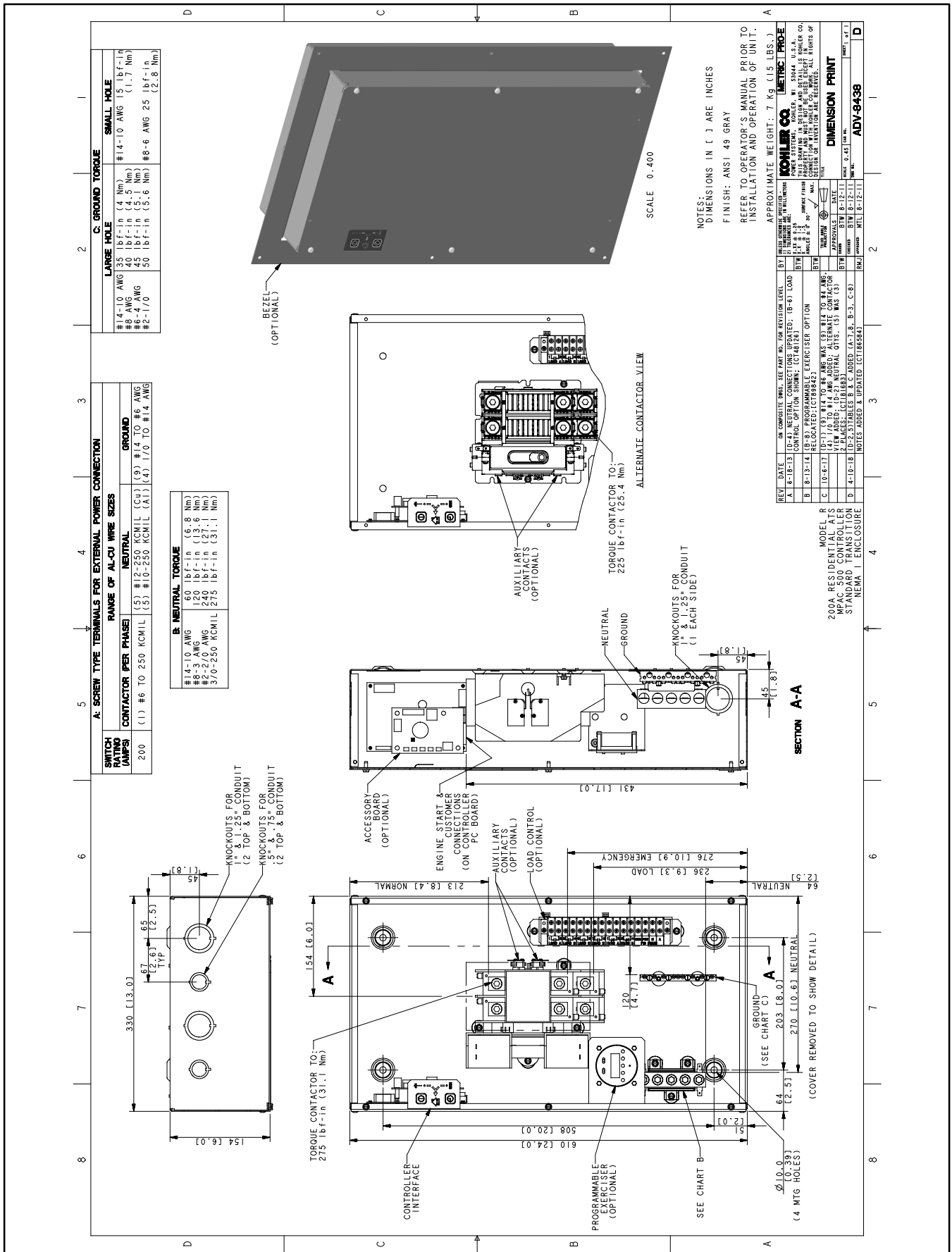


Figure 7-2 Dimension Drawing, 200 Amp NEMA Type 1 Enclosure without Load Center, ADV-8438

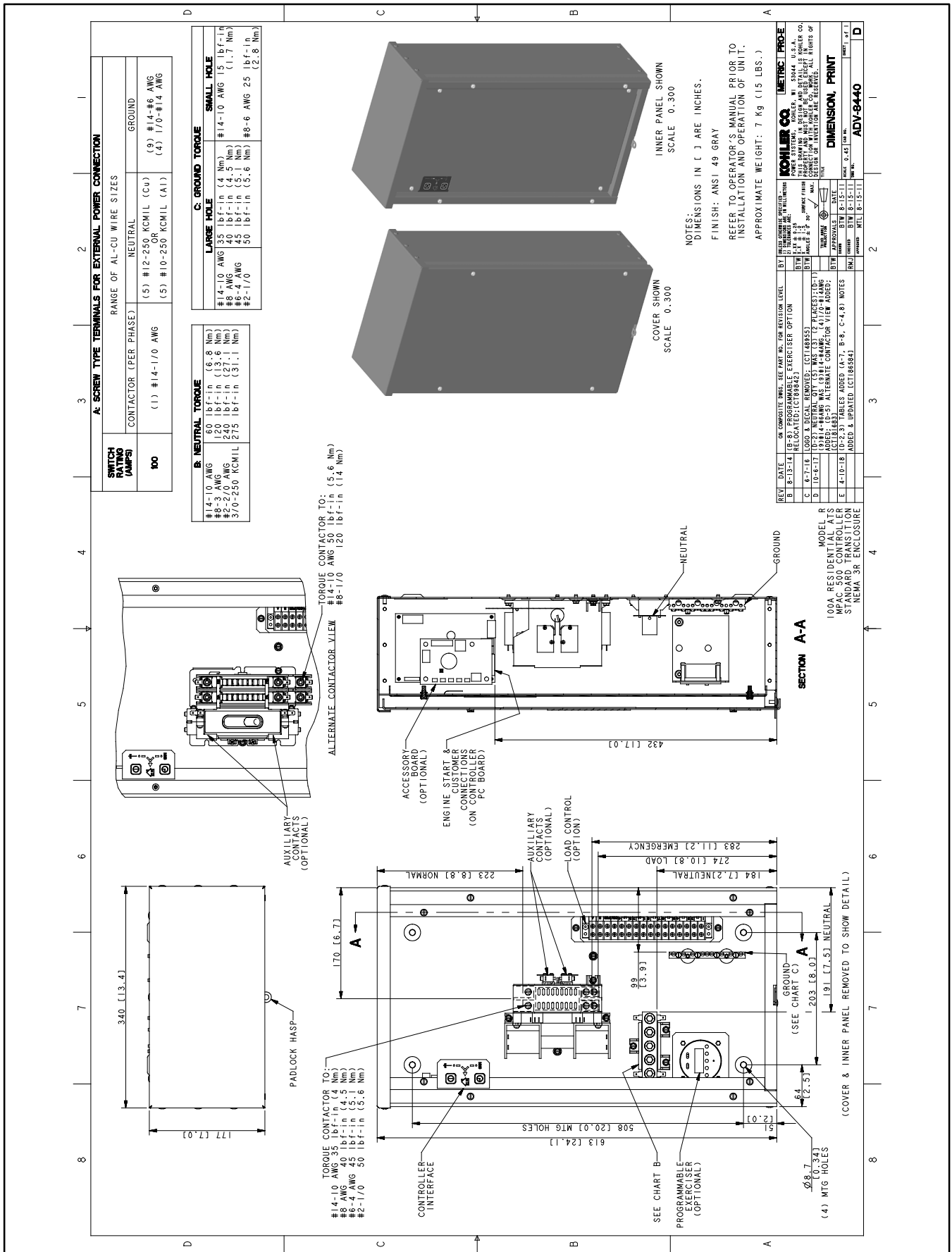


Figure 7-3 Dimension Drawing, 100 Amp NEMA Type 3R Enclosure without Load Center, ADV-8440

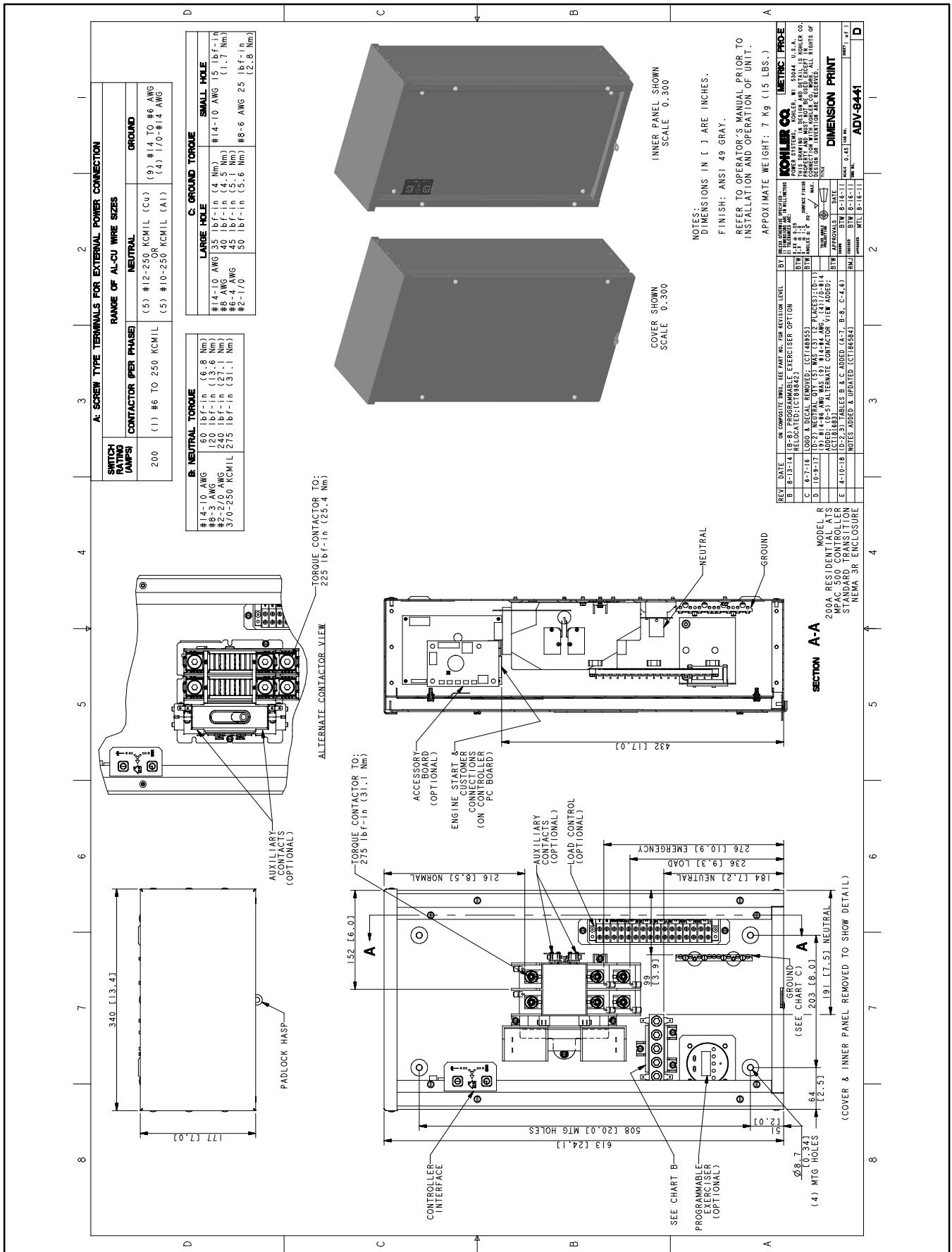


Figure 7-4 Dimension Drawing, 200 Amp NEMA Type 3R Enclosure without Load Center, ADV-8441

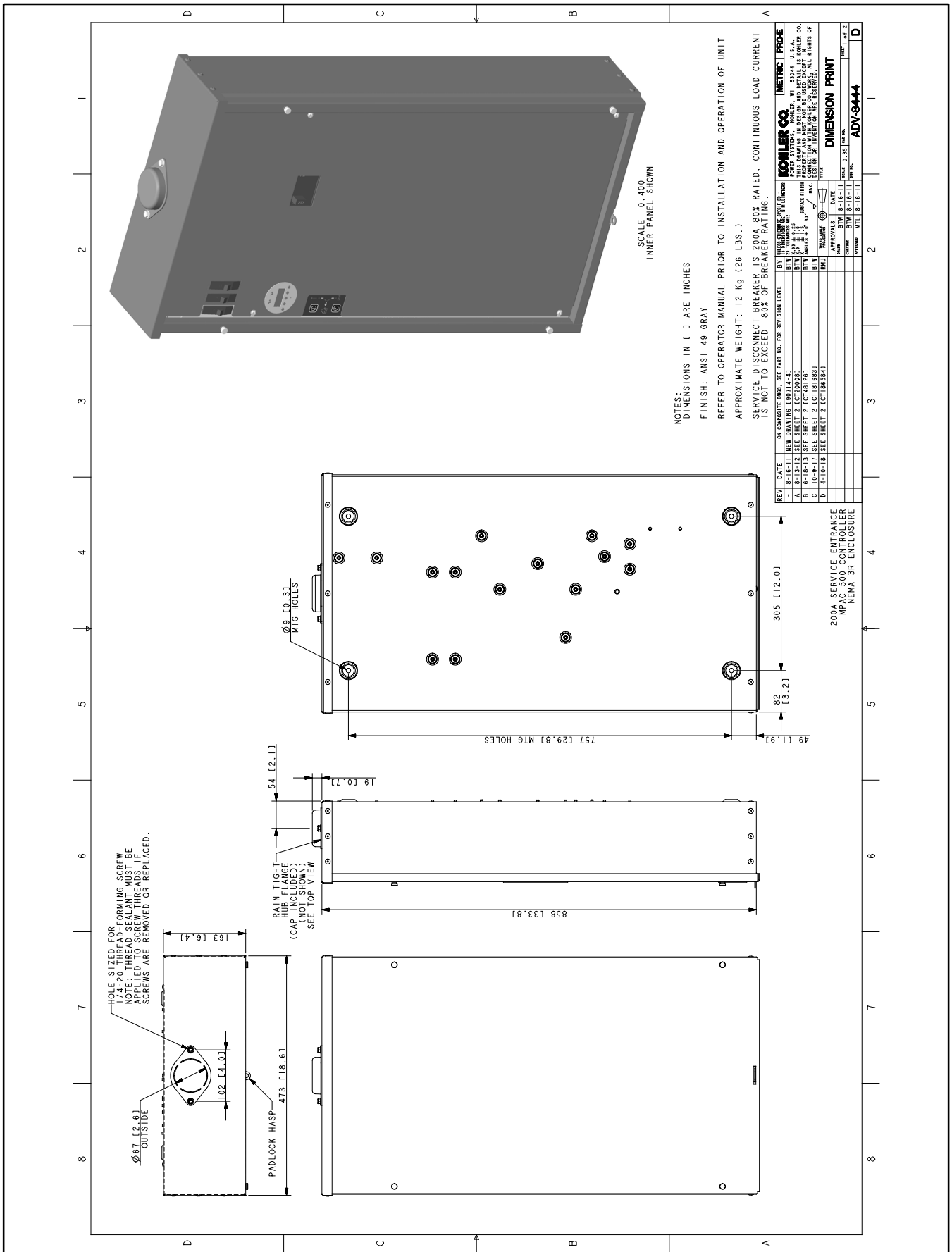


Figure 7-5 Dimension Drawing, 200 Amp Service Entrance Model, ADV-8444, Sheet 1 of 2

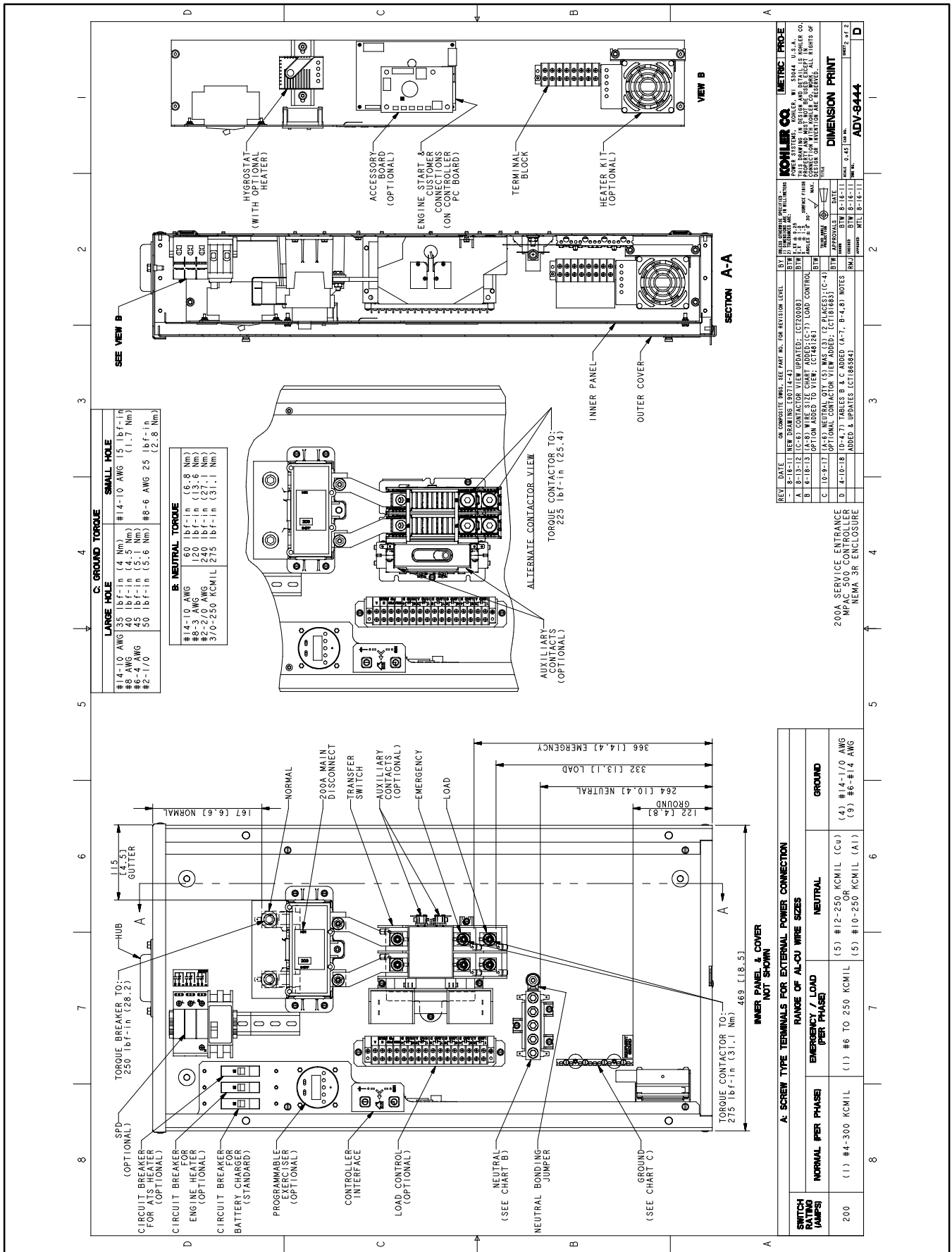


Figure 7-6 Dimension Drawing, 200 Amp Service Entrance Model, ADV-8444, Sheet 2 of 2

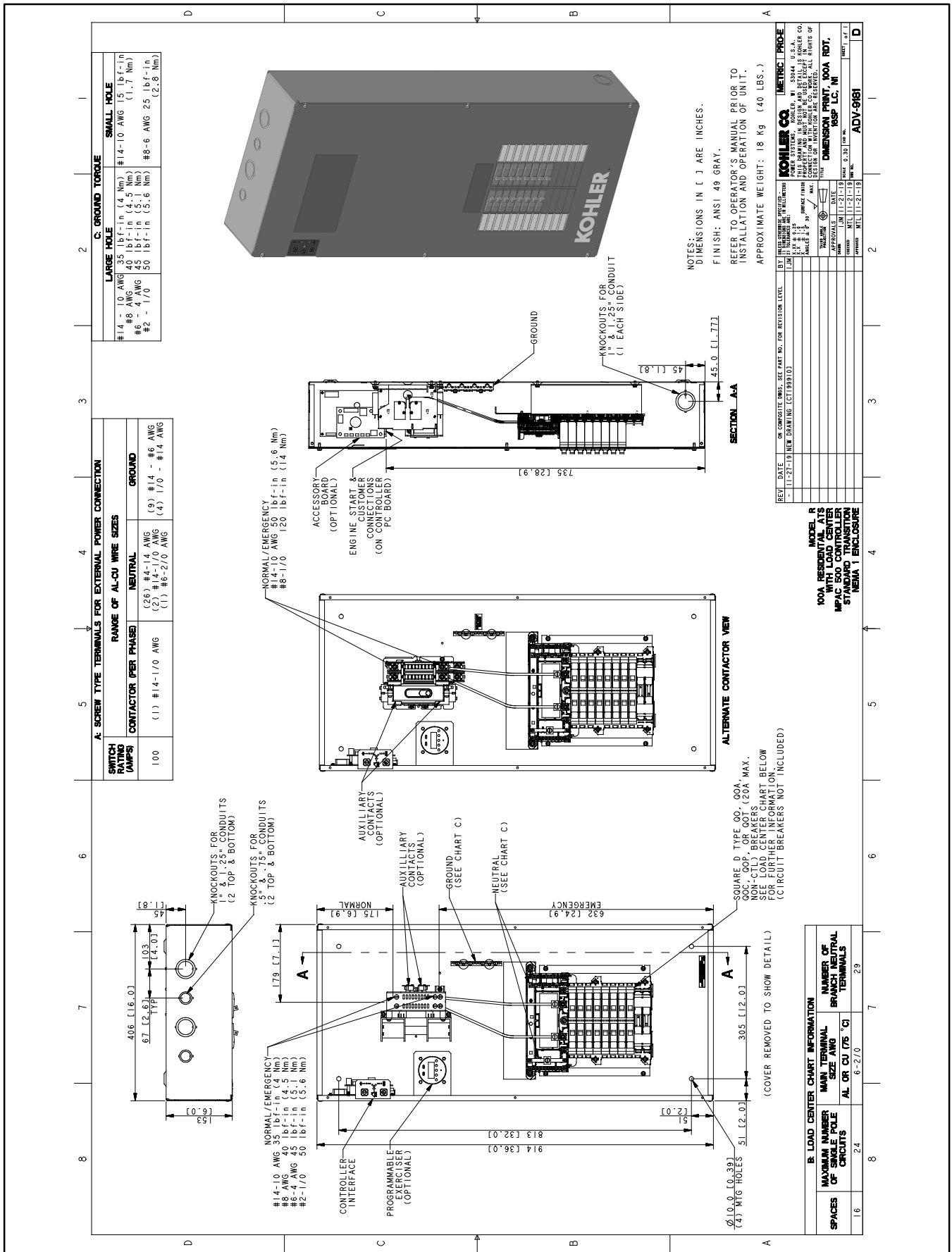


Figure 7-7 Dimension Drawing, 100 Amp NEMA Type 1 Enclosure with Load Center, ADV-9181

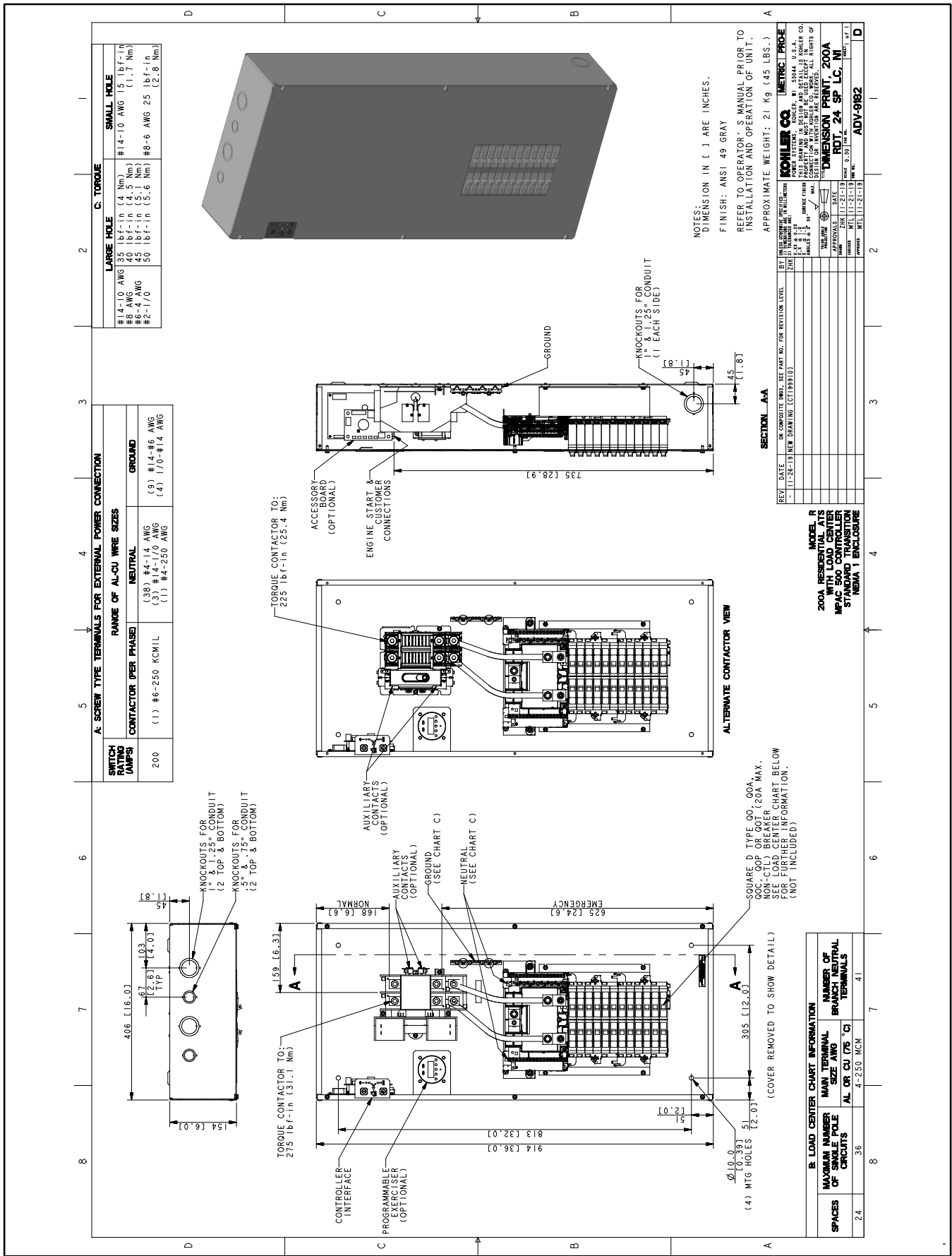


Figure 7-8 Dimension Drawing, 200 Amp NEMA Type 1 Enclosure with Load Center, ADV-9182

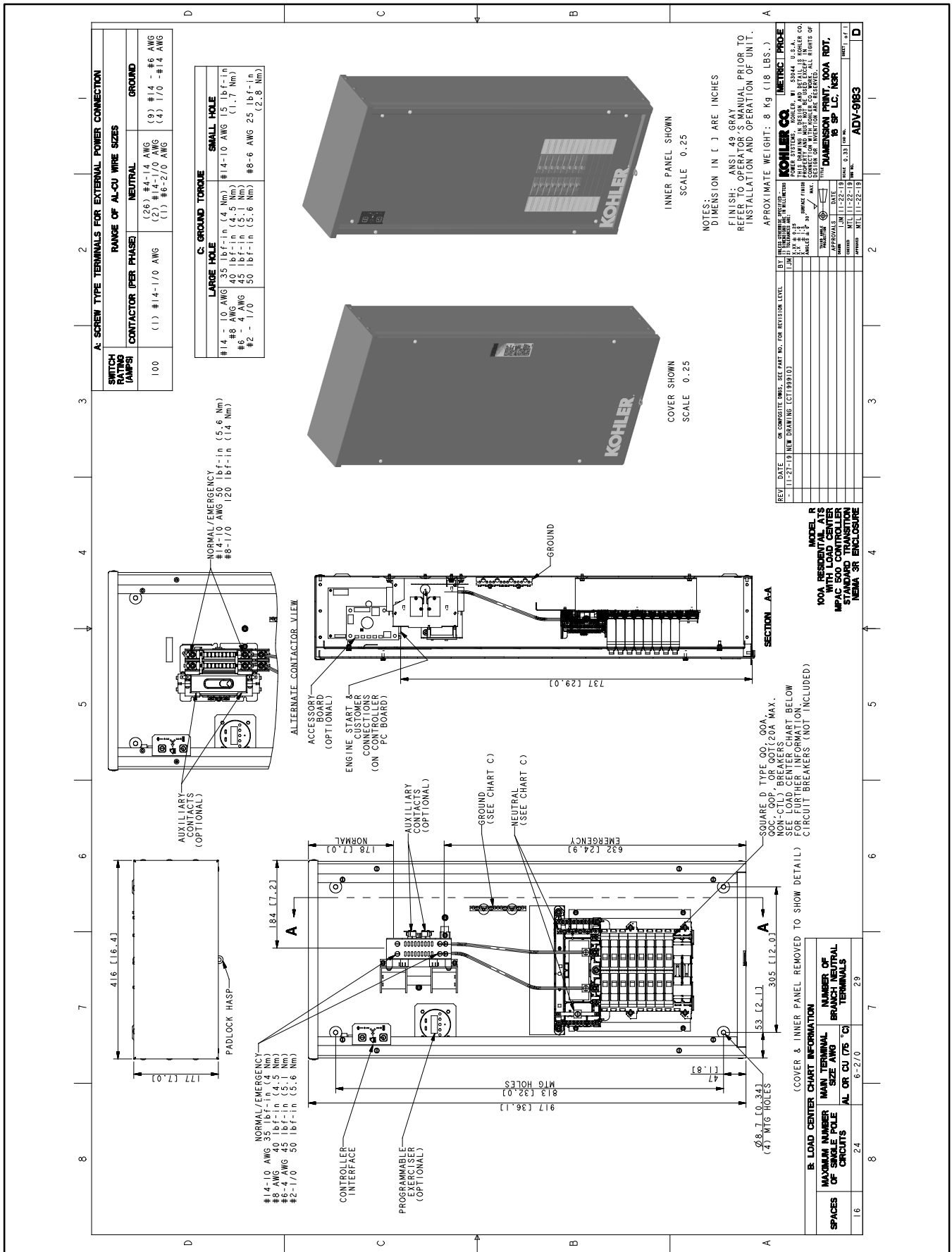


Figure 7-9 Dimension Drawing, 100 Amp NEMA Type 3R Enclosure with Load Center, ADV-9183

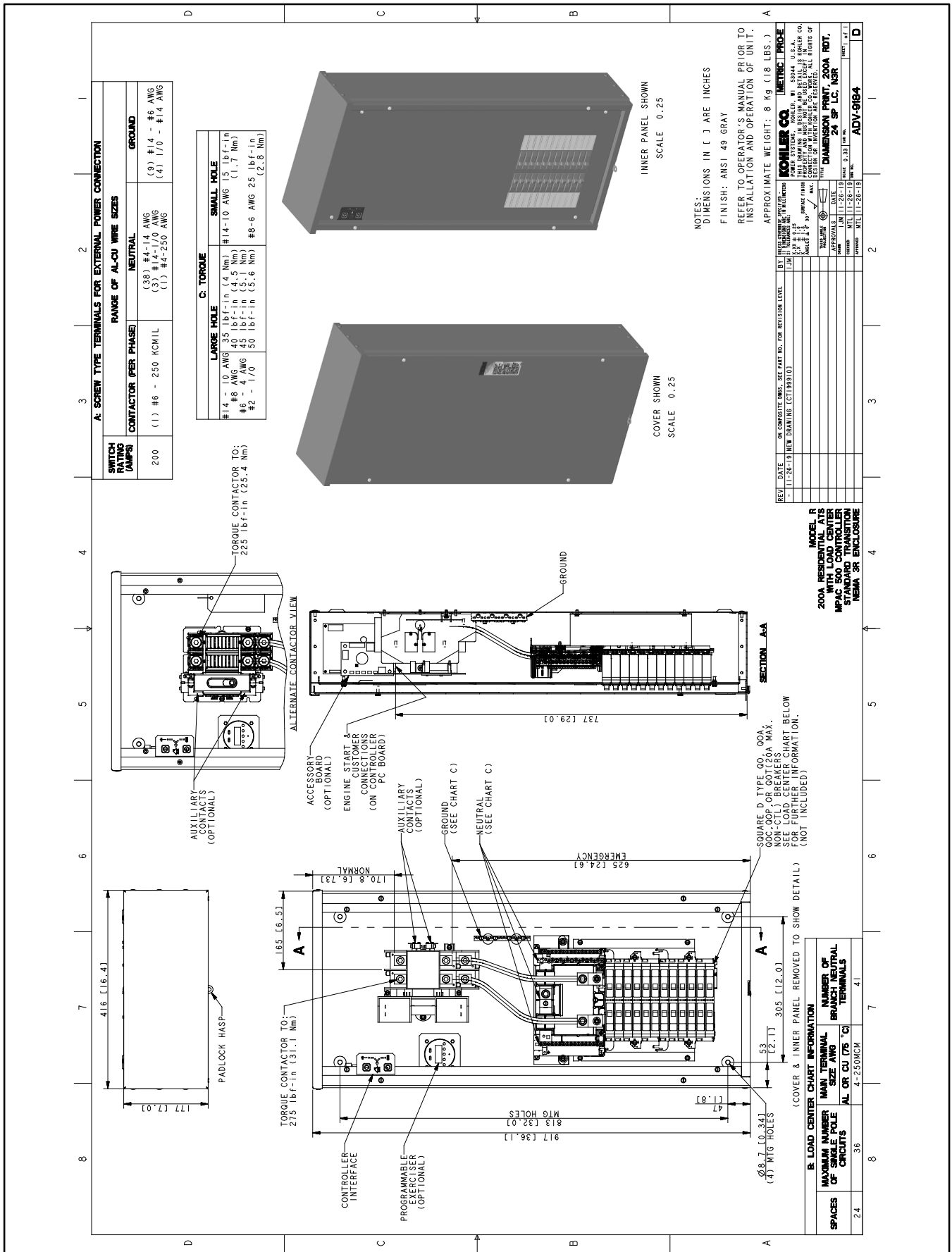


Figure 7-10 Dimension Drawing, 200 Amp NEMA Type 3R Enclosure with Load Center, ADV-9184

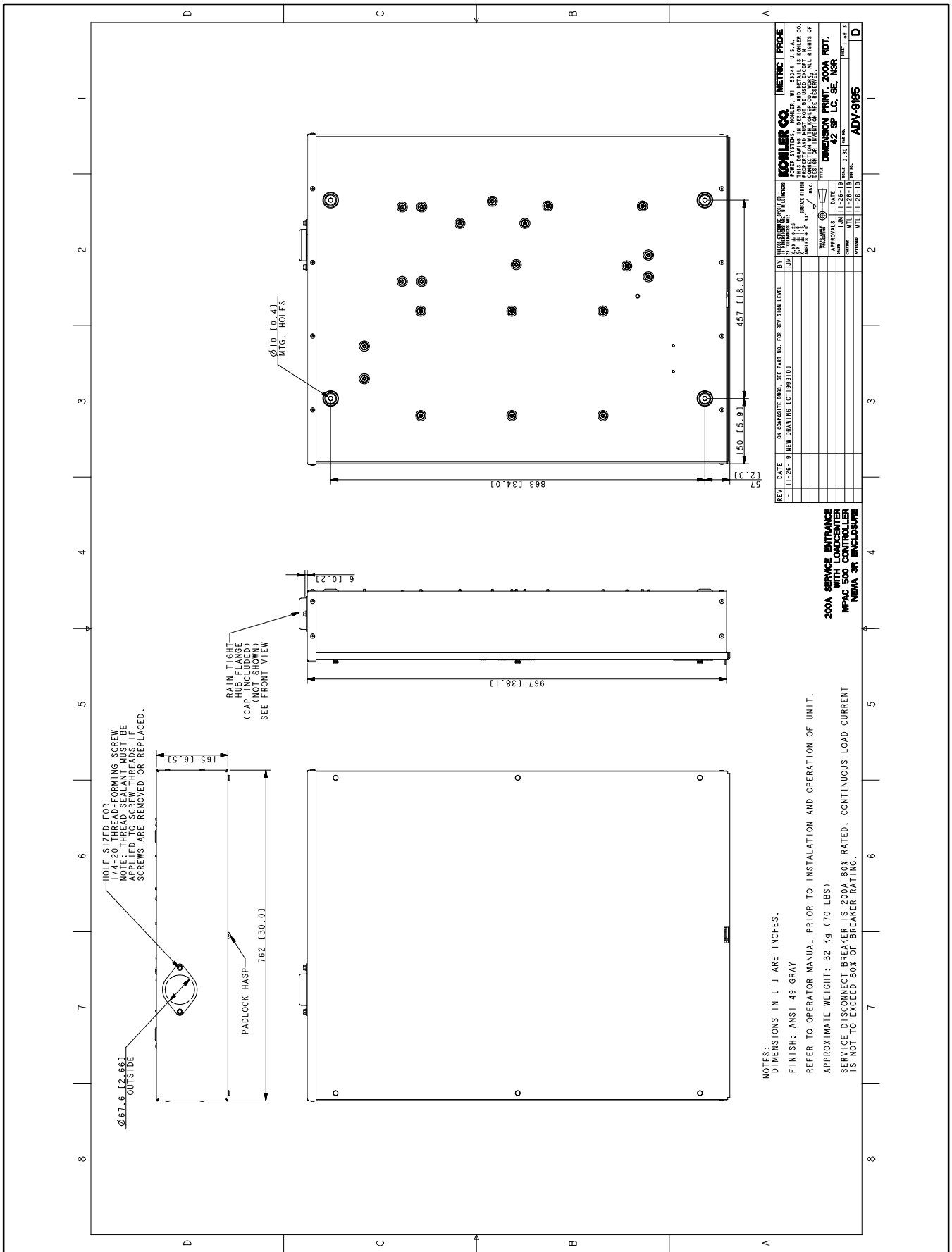


Figure 7-11 Dimension Drawing, 200 Amp Service Entrance Model with Load Center, ADV-9185, Sheet 1 of 3

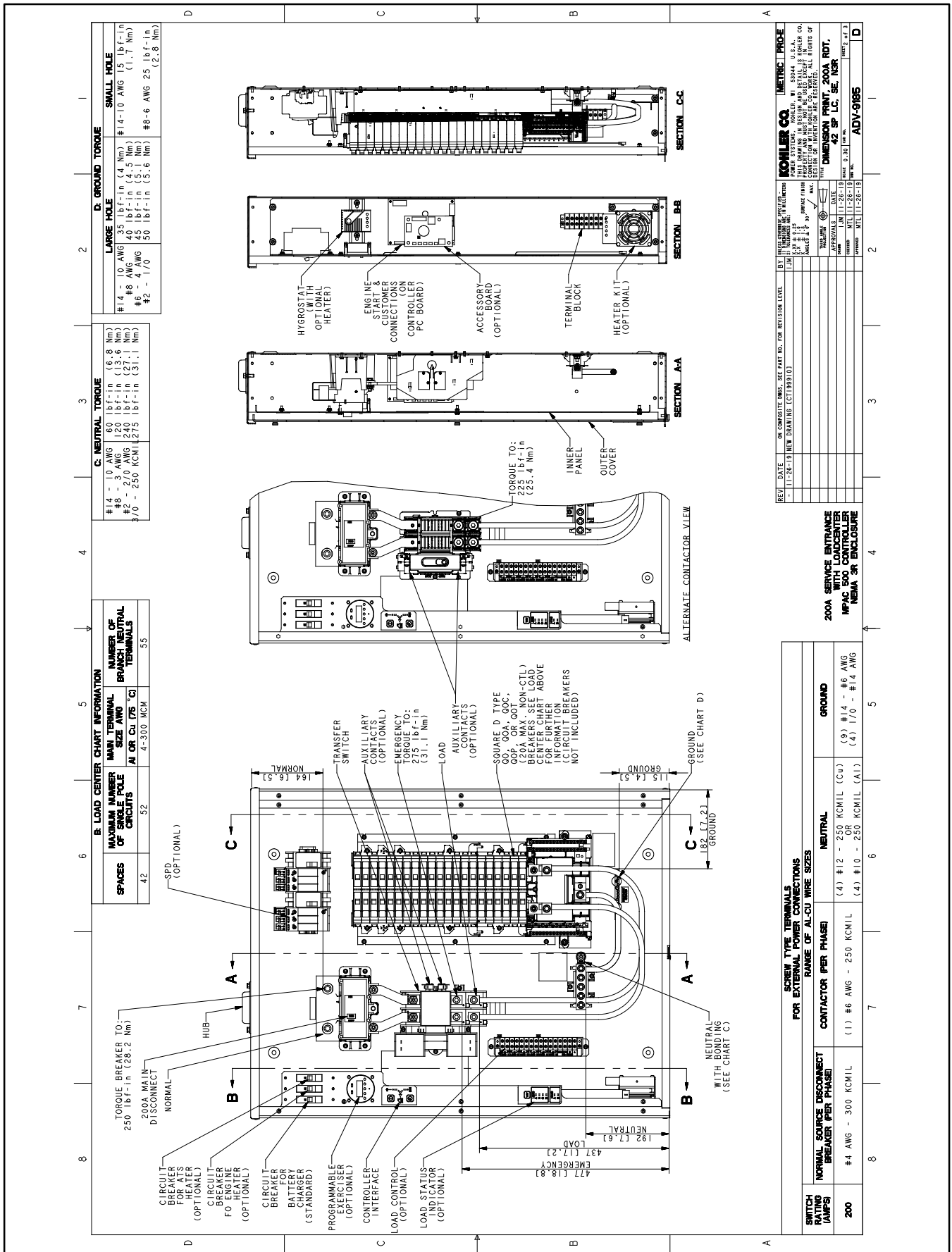


Figure 7-12 Dimension Drawing, 200 Amp Service Entrance Model with Load Center, ADV-9185, Sheet 2 of 3

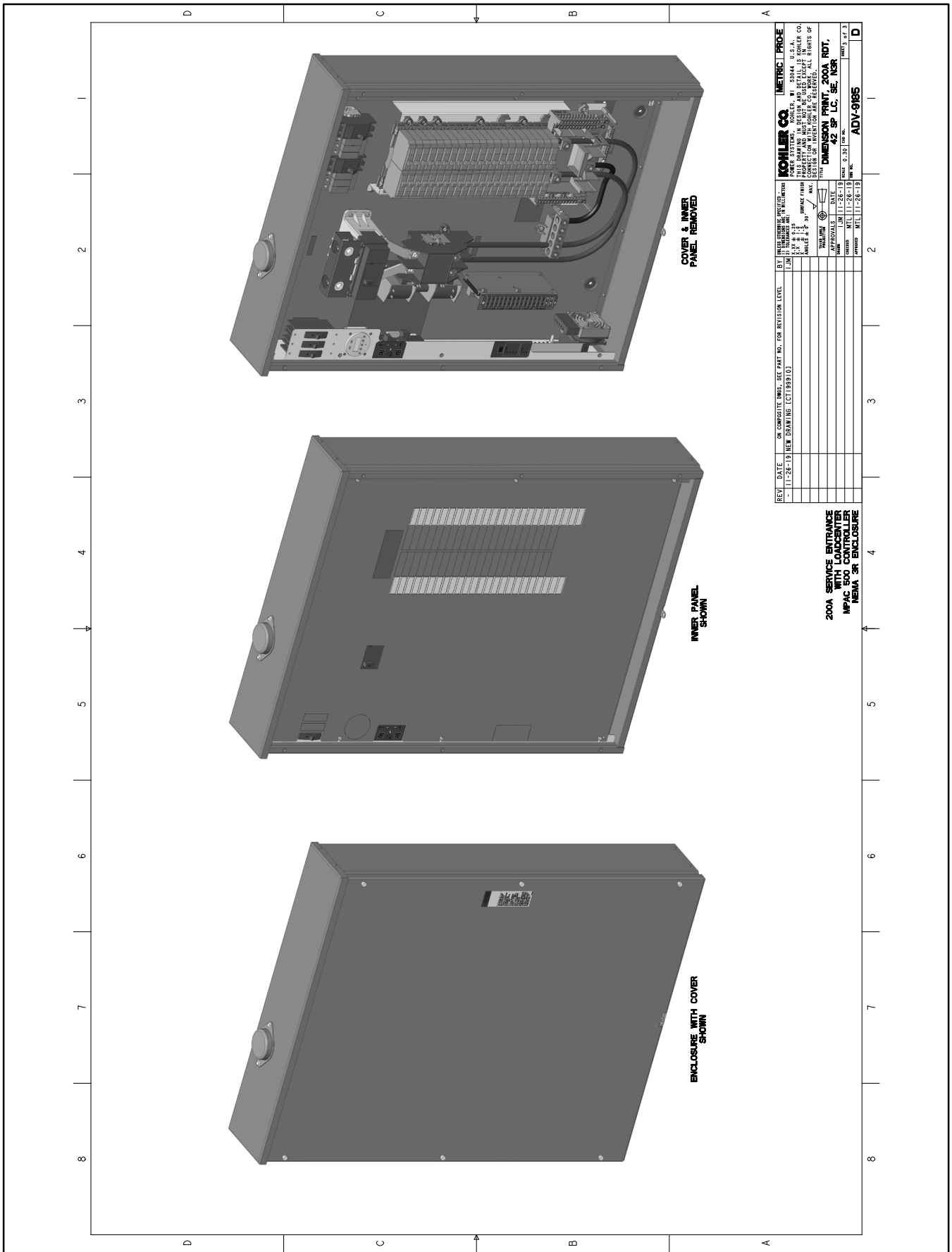


Figure 7-13 Dimension Drawing, 200 Amp Service Entrance Model with Load Center, ADV-9185, Sheet 3 of 3

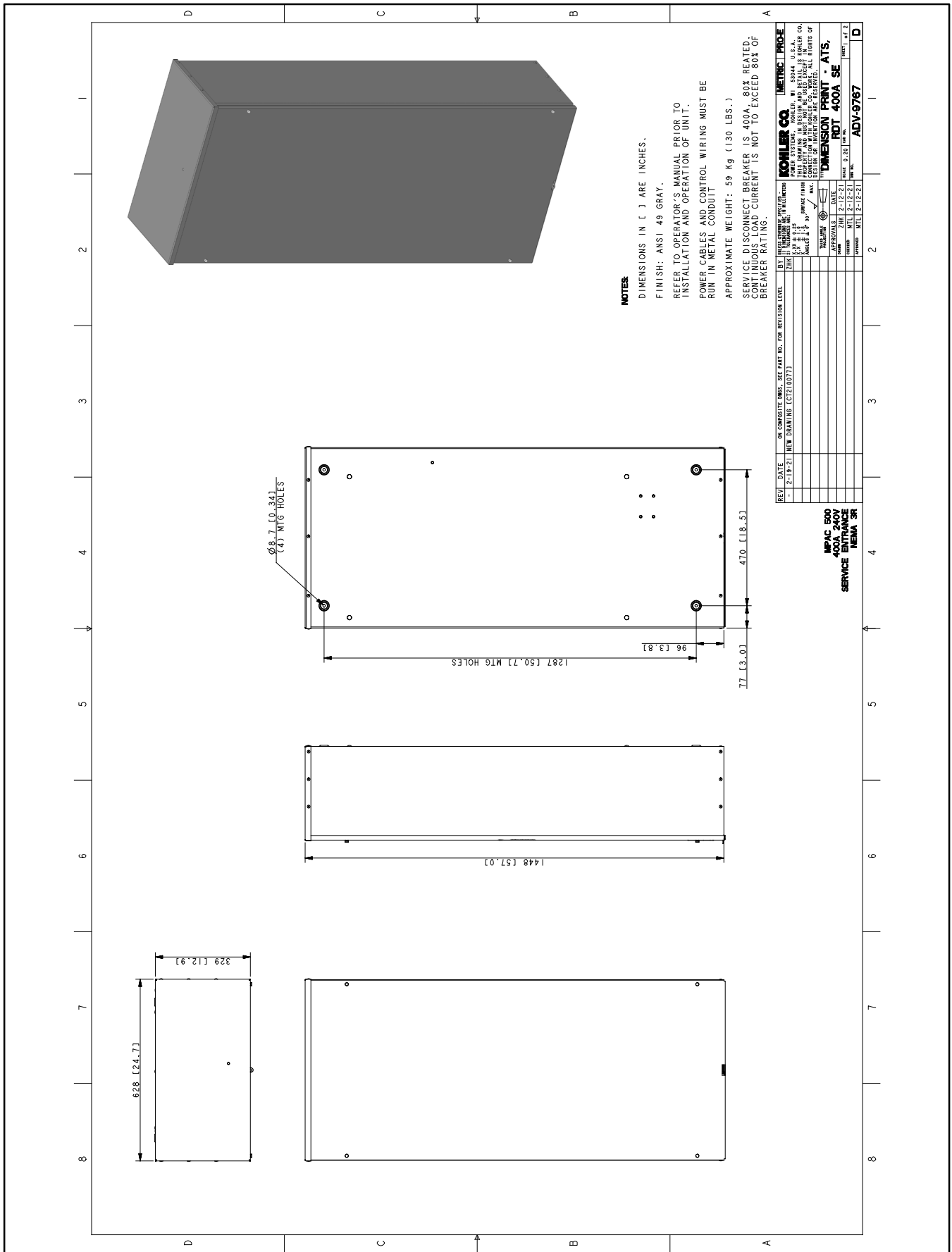


Figure 7-14 Dimension Drawing, 400 Amp Service Entrance Model, ADV-9767, Sheet 1 of 2

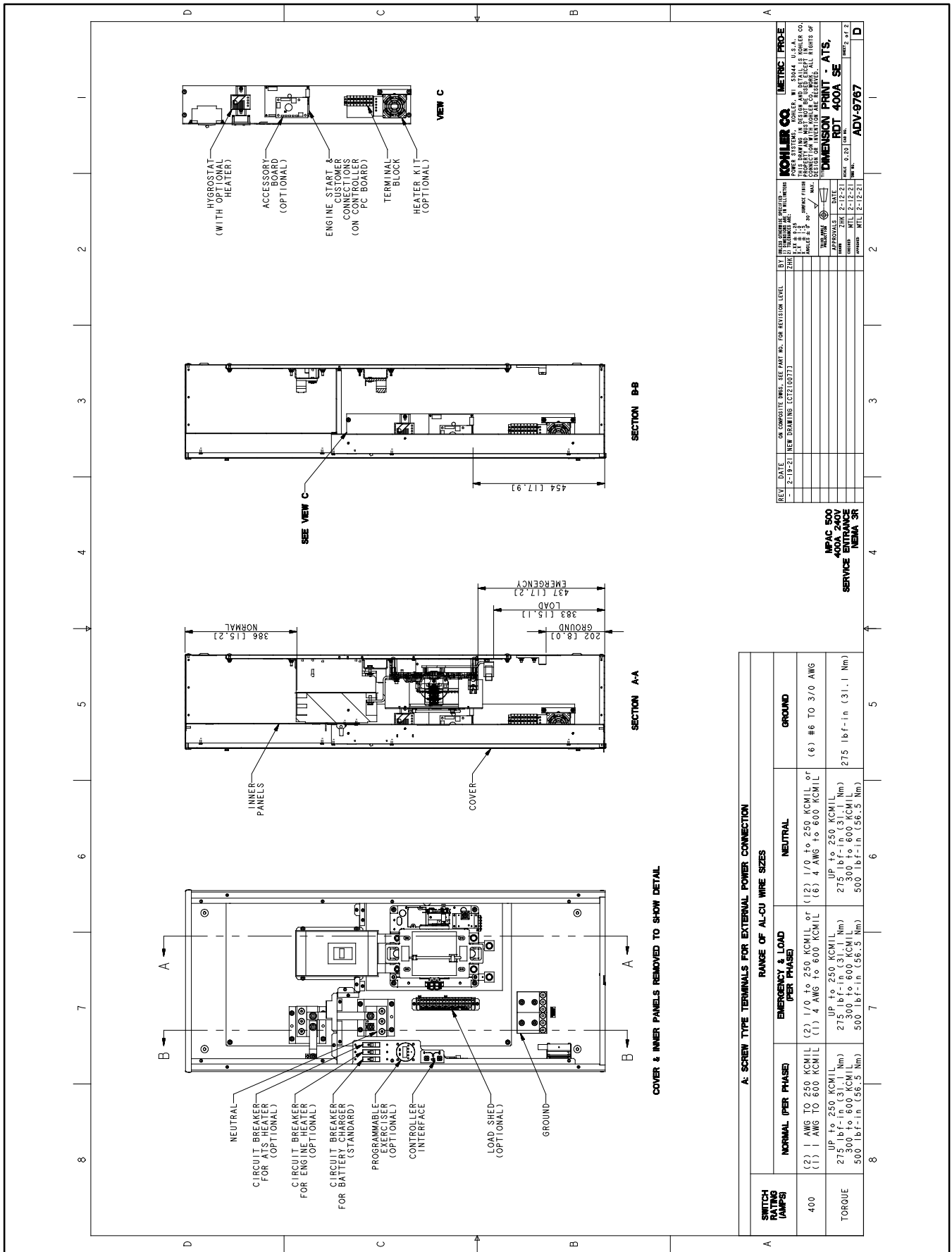


Figure 7-15 Dimension Drawing, 400 Amp Service Entrance Model, ADV-9767, Sheet 2 of 2

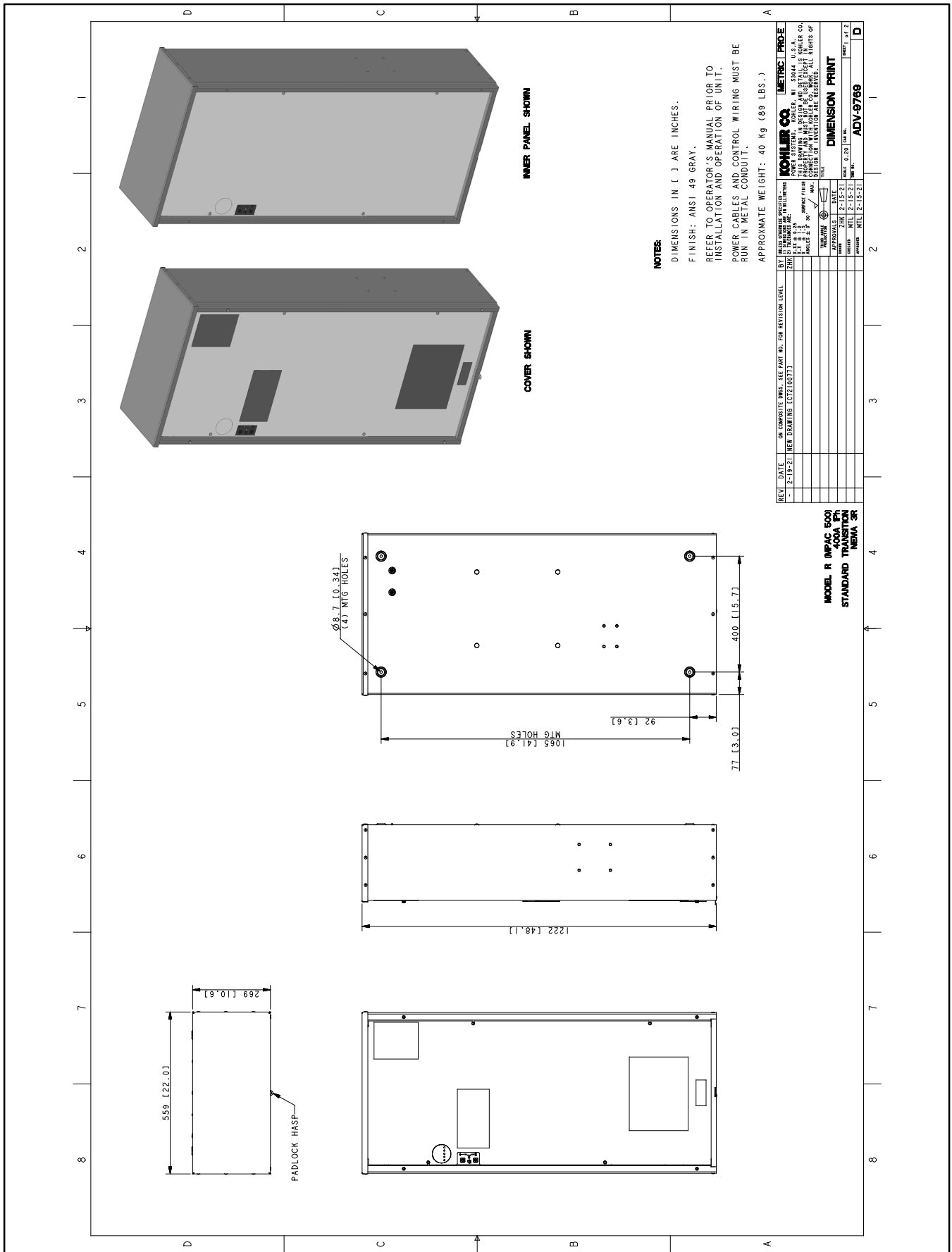
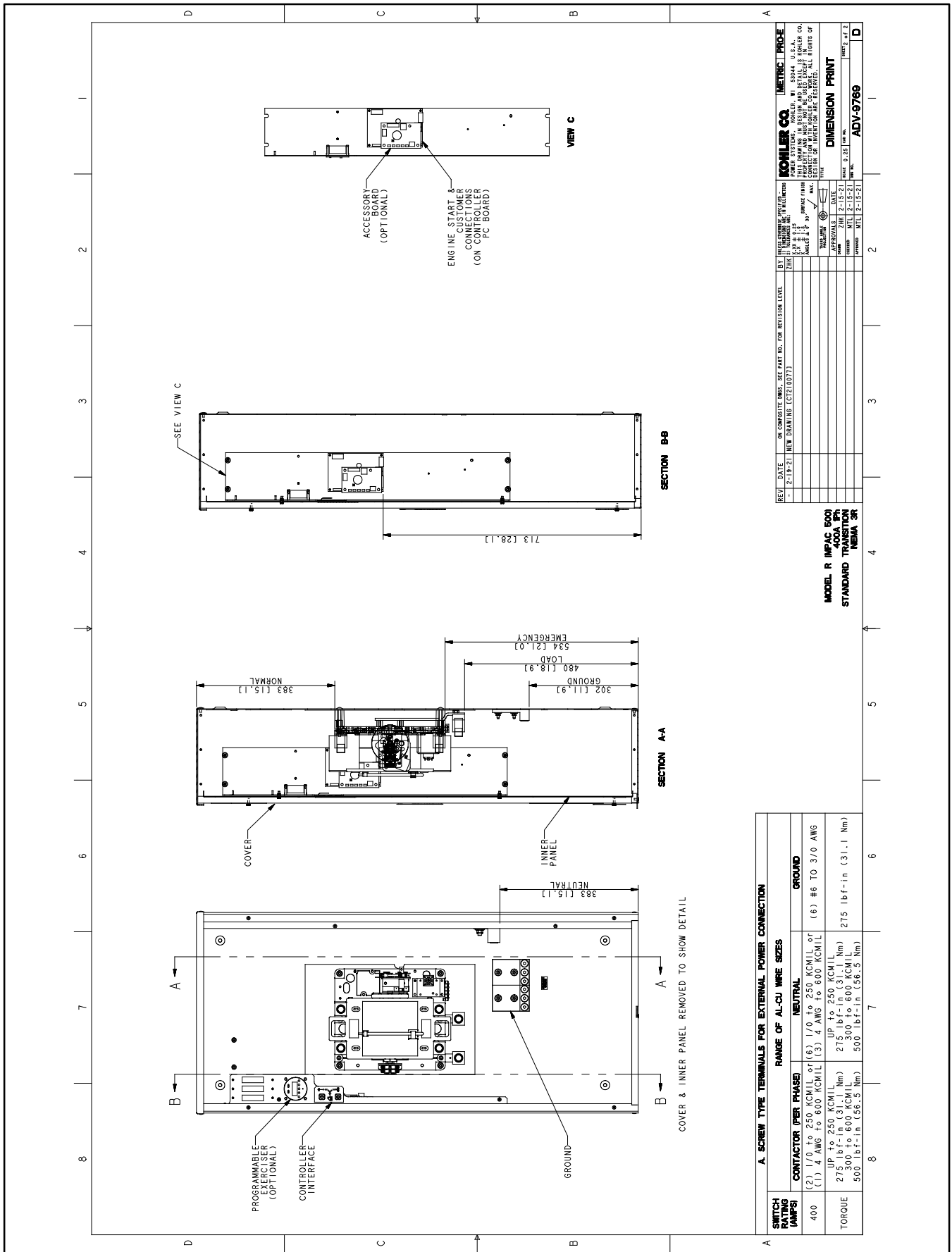


Figure 7-16 Dimension Drawing, 400 Amp NEMA Type 1 and 3R Enclosure, ADV-9769, Sheet 1 of 2



A. SCREW TYPE TERMINALS FOR EXTERNAL POWER CONNECTION	
RANGE OF AL-CU WIRE SIZES	
SWITCH RATING (AMPS)	GROUND
400	(6) #6 TO 3/0 AWG
	NEUTRAL
	(2) 1/0 TO 250 KCMIL or (6) 1/0 TO 250 KCMIL or (3) 4 AWG TO 600 KCMIL
	TORQUE
	UP TO 250 KCMIL 27300 lbf-in (31.1 Nm)
	300 TO 600 KCMIL 275 lbf-in (31.1 Nm)
	500 lbf-in (56.5 Nm)

REV	DATE	BY	DESCRIPTION	DATE	BY	DESCRIPTION
-	2-19-21		NEW DRAWING (C71210077)			

ON COMPOSITE SHEET, SEE PART NO. FOR REVISION LEVEL.

THIS DRAWING IS DESIGN AND DETAIL BY KOMLER CO. CONSULT WITH KOMLER CO. REGARDING ALL RIGHTS OF INTELLECTUAL PROPERTY.

DATE: 2-15-21
 TIME: 2:15-21
 APPROVALS: [Signature]
 DATE: 2-15-21
 TIME: 2:15-21
 APPROVALS: [Signature]

MODEL R IMPAC 500
 LOCAL PA
 STANDARD TRANSITION
 NEMA 3R

KOMLER CO. METRIC PRICE
 15000 W. 5300A W. S.A.
 THIS DRAWING IS DESIGN AND DETAIL BY KOMLER CO. CONSULT WITH KOMLER CO. REGARDING ALL RIGHTS OF INTELLECTUAL PROPERTY.

DIMENSION PRINT
 ADV-9769

Figure 7-17 Dimension Drawing, 400 Amp NEMA Type 1 and 3R Enclosure, ADV-9769, Sheet 2 of 2

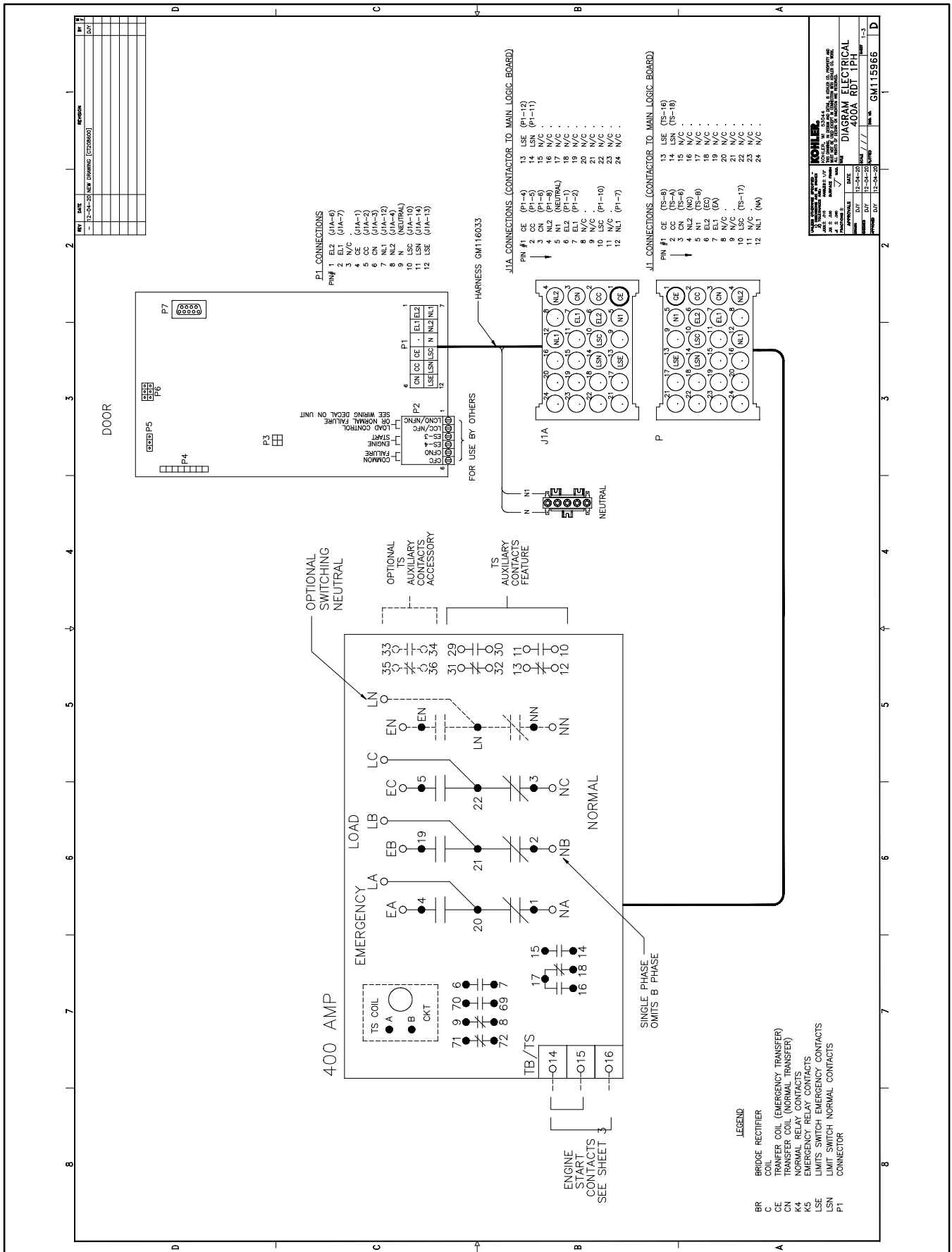


Figure 7-18 Schematic/Wiring Diagram, 400 Amp 1 Ph, GM115966 Sheet 1

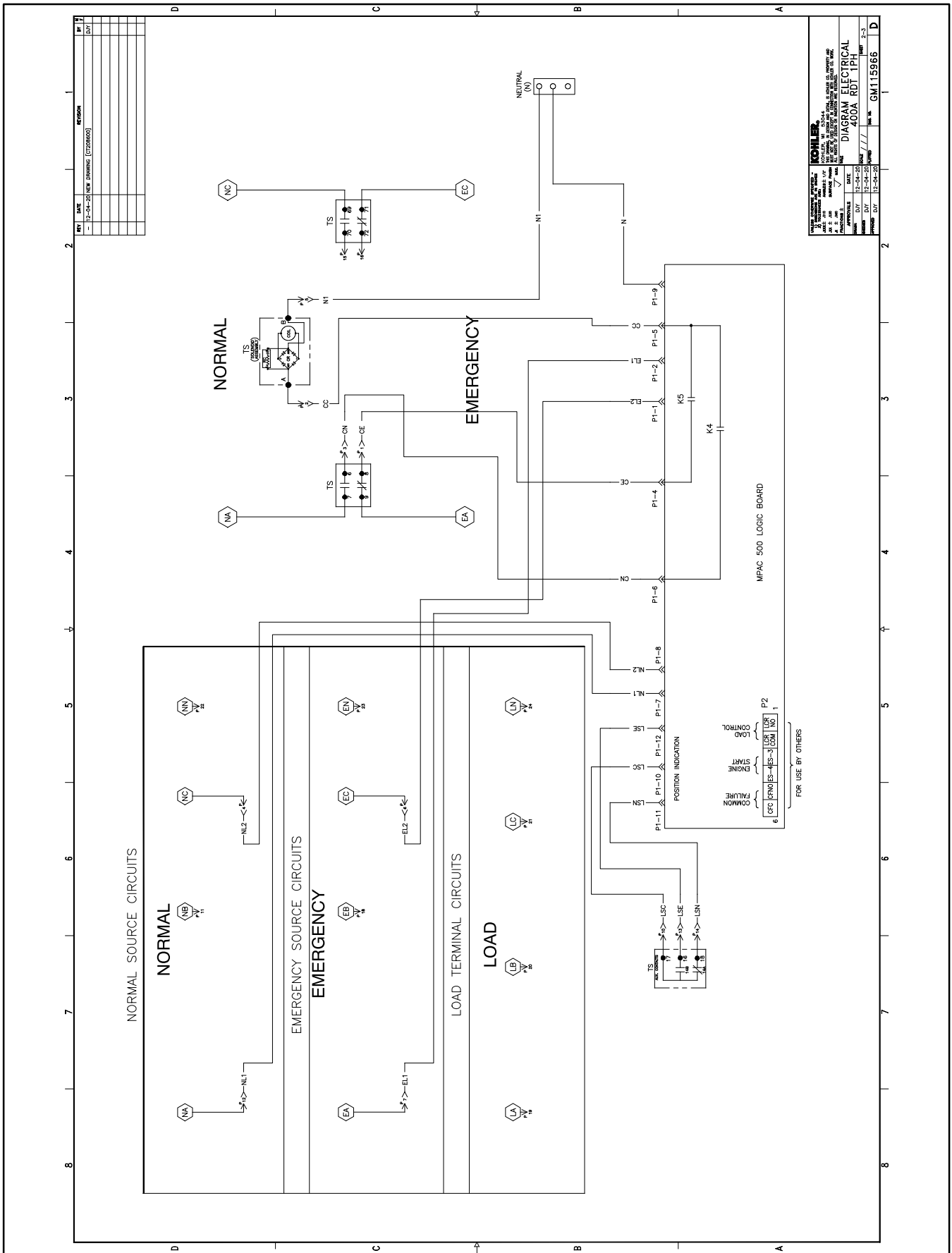


Figure 7-19 Schematic/Wiring Diagram, 400 Amp 1 Ph, GM115966 Sheet 2

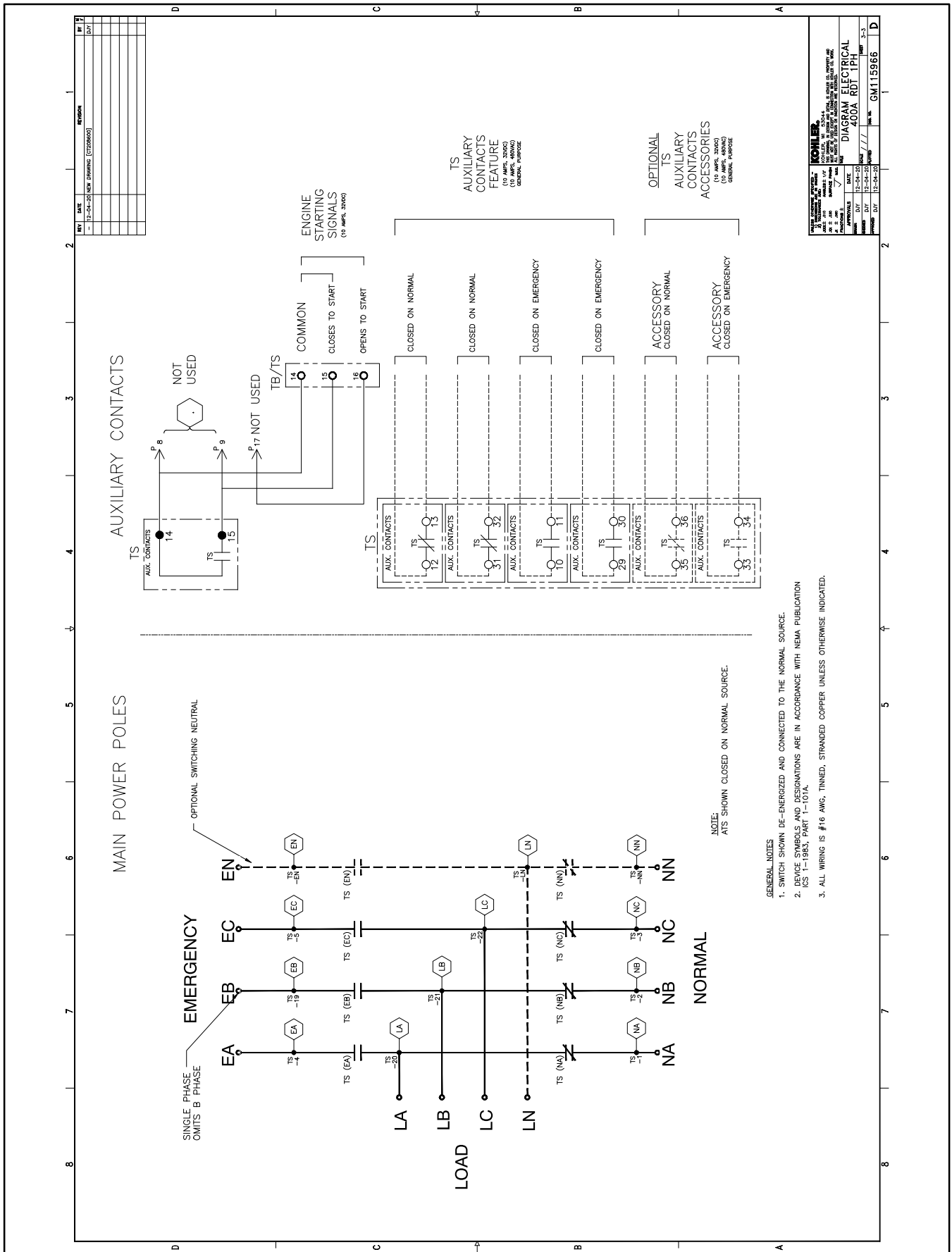


Figure 7-20 Schematic/Wiring Diagram, 400 Amp 1 Ph, GM115966 Sheet 3

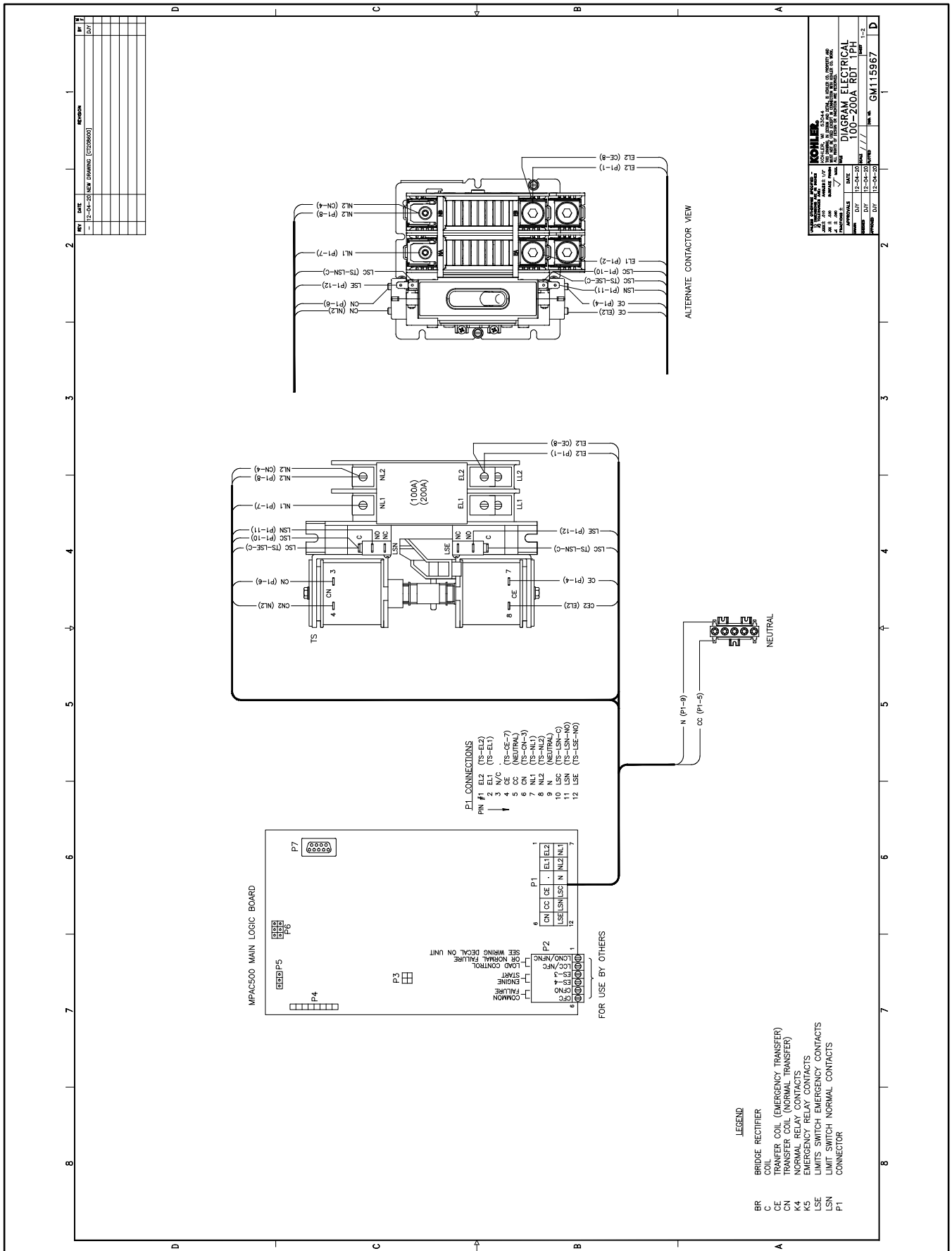


Figure 7-21 Schematic/Wiring Diagram, 100/200 amp without Load Center, GM115967, Sheet 1

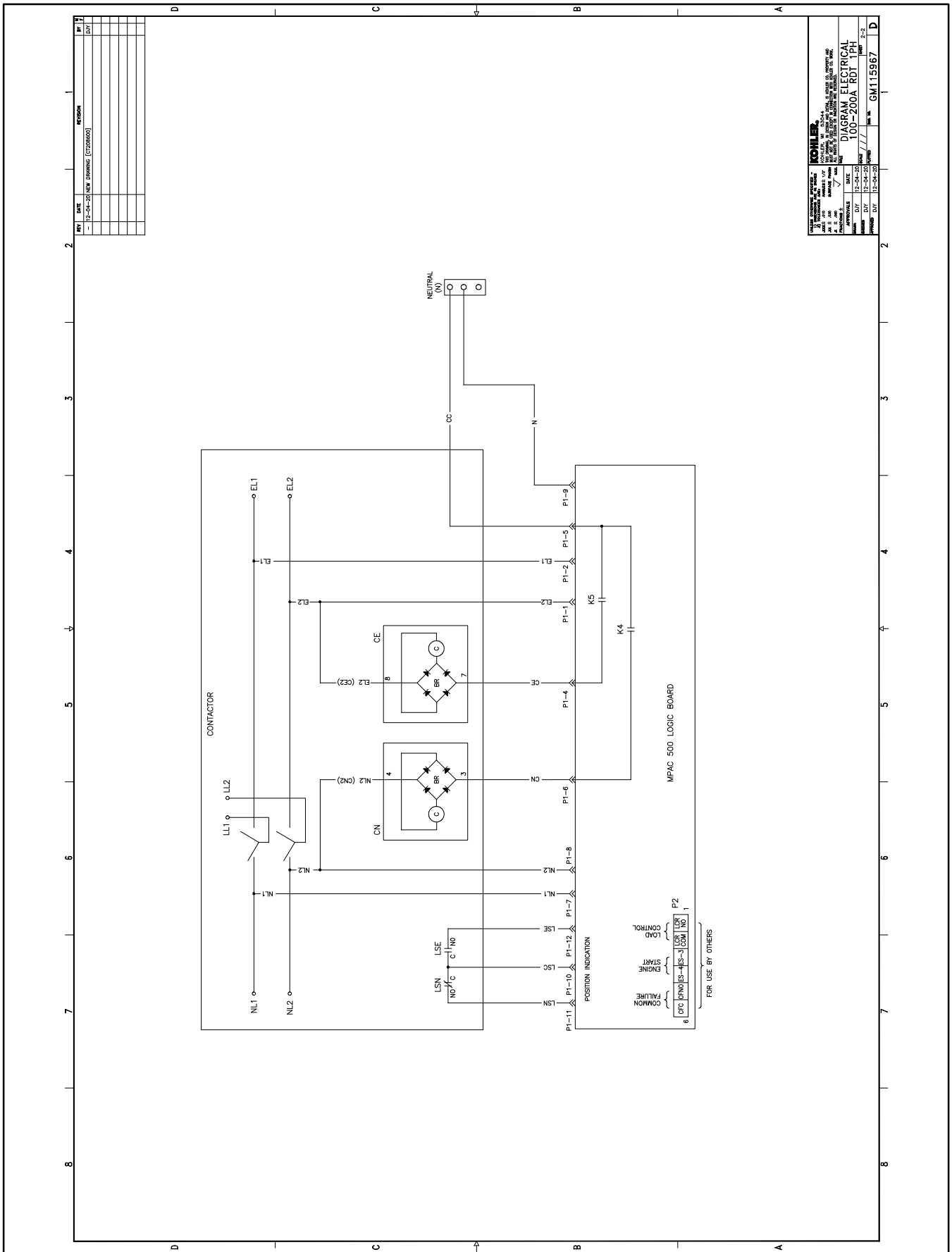


Figure 7-22 Schematic/Wiring Diagram, 100/200 amp without Load Center, GM115967, Sheet 2

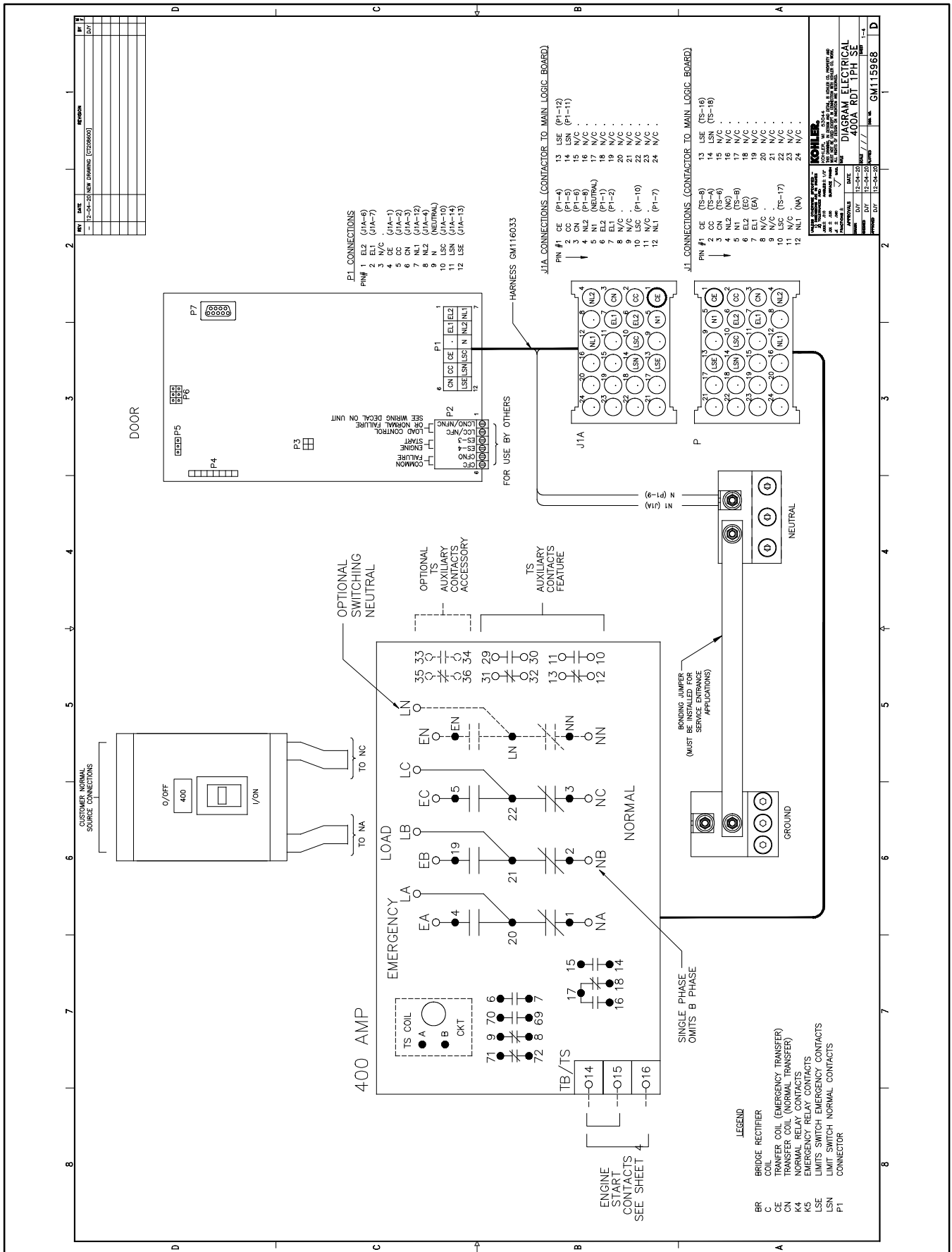


Figure 7-23 Schematic/Wiring Diagram, 400 Amp Service Entrance Switch, GM115968, Sheet 1 of 4

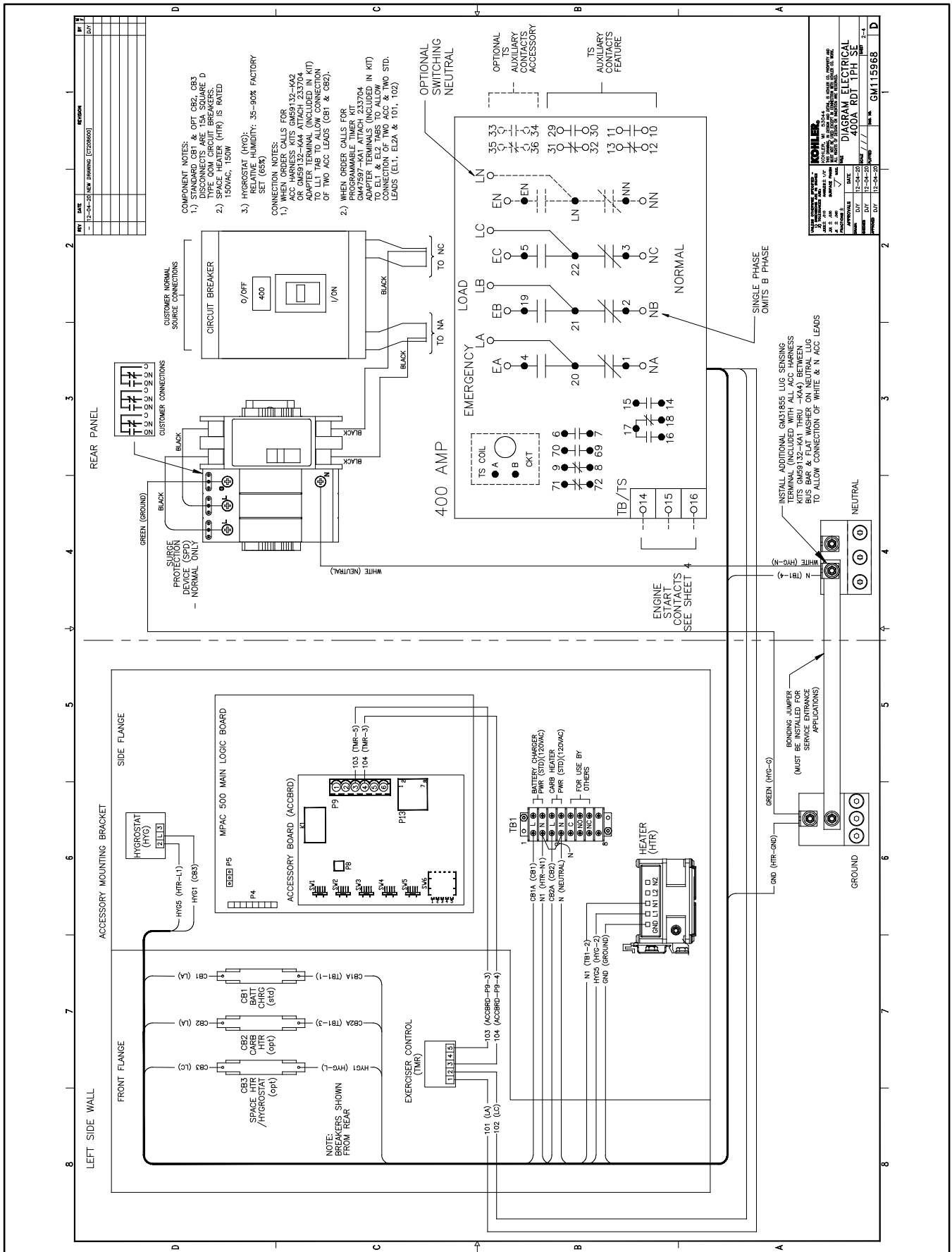


Figure 7-24 Schematic/Wiring Diagram, 400 Amp Service Entrance Switch, GM115968, Sheet 2 of 4

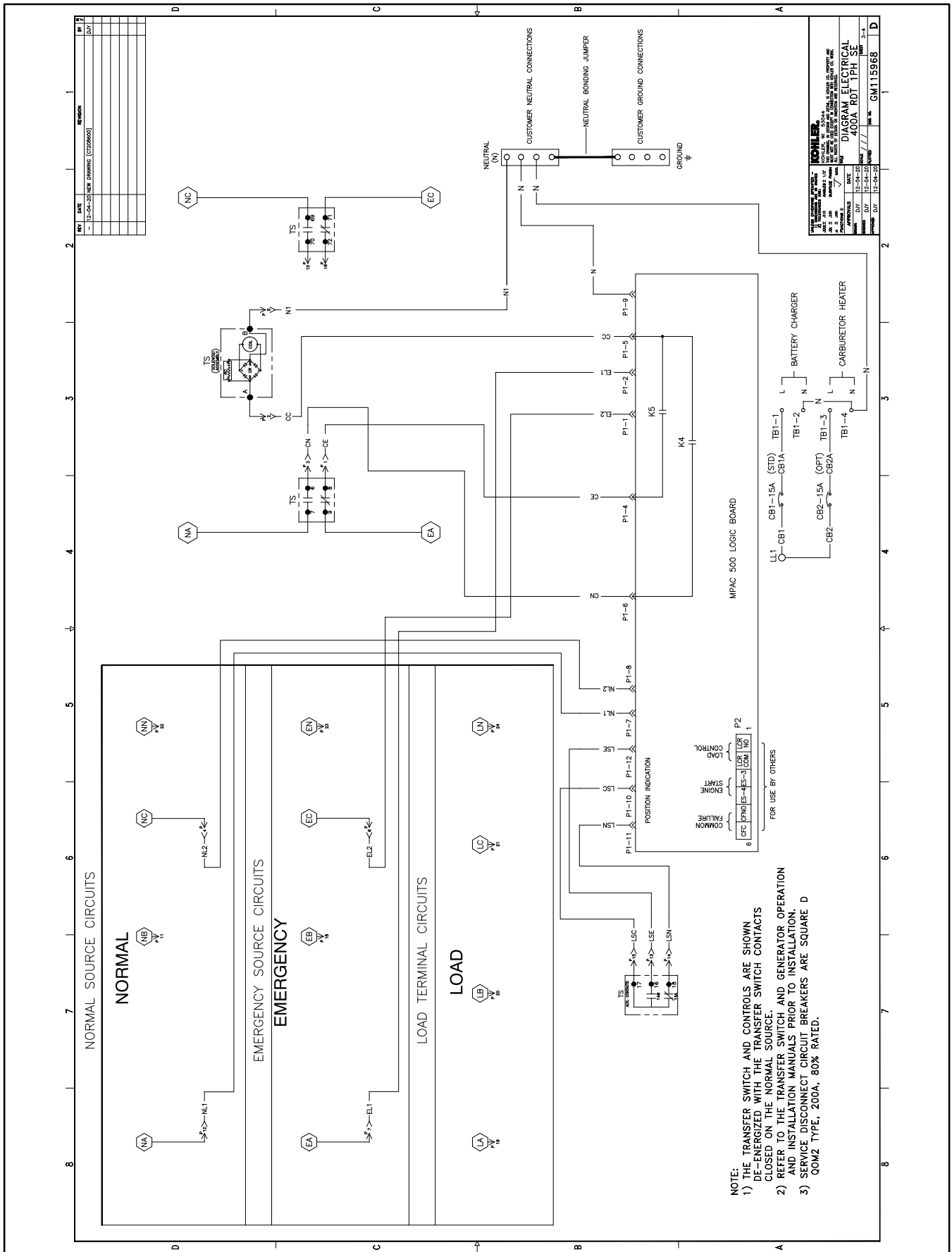


Figure 7-25 Schematic/Wiring Diagram, 400 Amp Service Entrance Switch, GM115968, Sheet 3 of 4

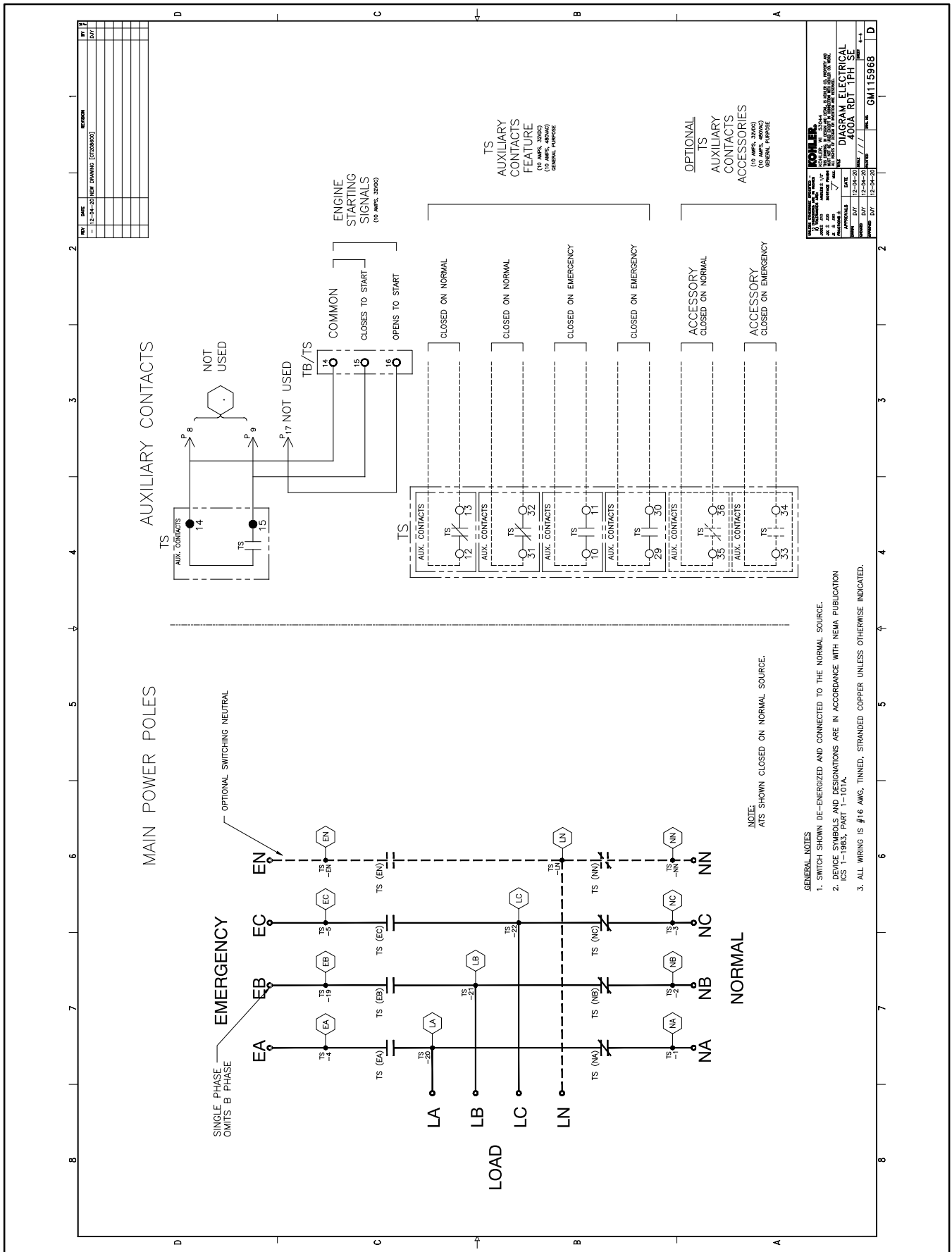
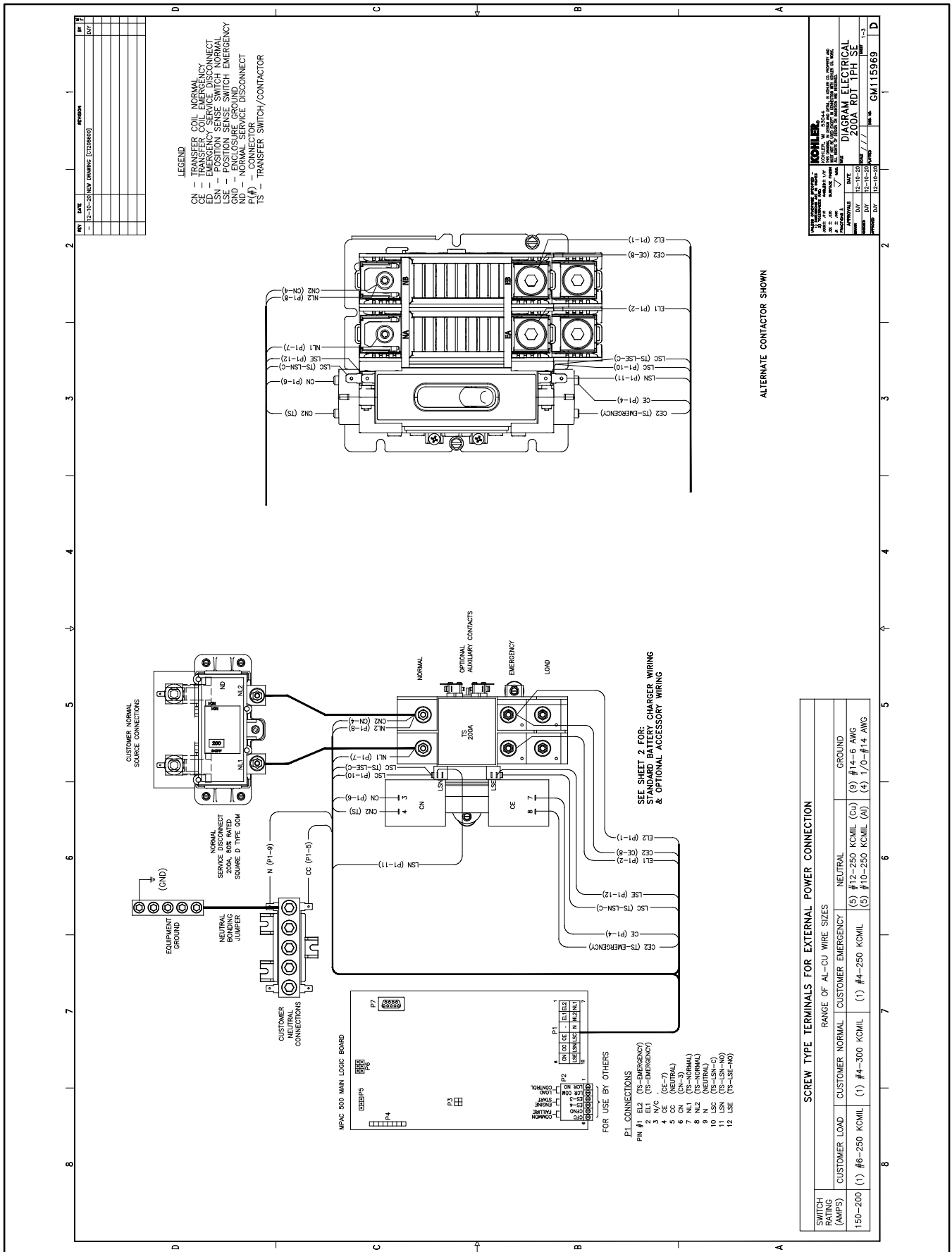


Figure 7-26 Schematic/Wiring Diagram, 400 Amp Service Entrance Switch, GM115968, Sheet 4 of 4



SCREW TYPE TERMINALS FOR EXTERNAL POWER CONNECTION

SWITCH RATING (AMPS)	CUSTOMER LOAD	CUSTOMER NORMAL	CUSTOMER EMERGENCY	NEUTRAL	GROUND
150-200	(1) #6-250 KOMIL	(1) #4-300 KOMIL	(1) #4-250 KOMIL	(5) #12-250 KOMIL (C _U)	(9) #14-6 AWG
				(5) #10-250 KOMIL (A)	(4) 1/0-#14 AWG

Figure 7-27 Schematic/Wiring Diagram, 200 Amp Service Entrance Switch, GM115969, Sheet 1 of 3

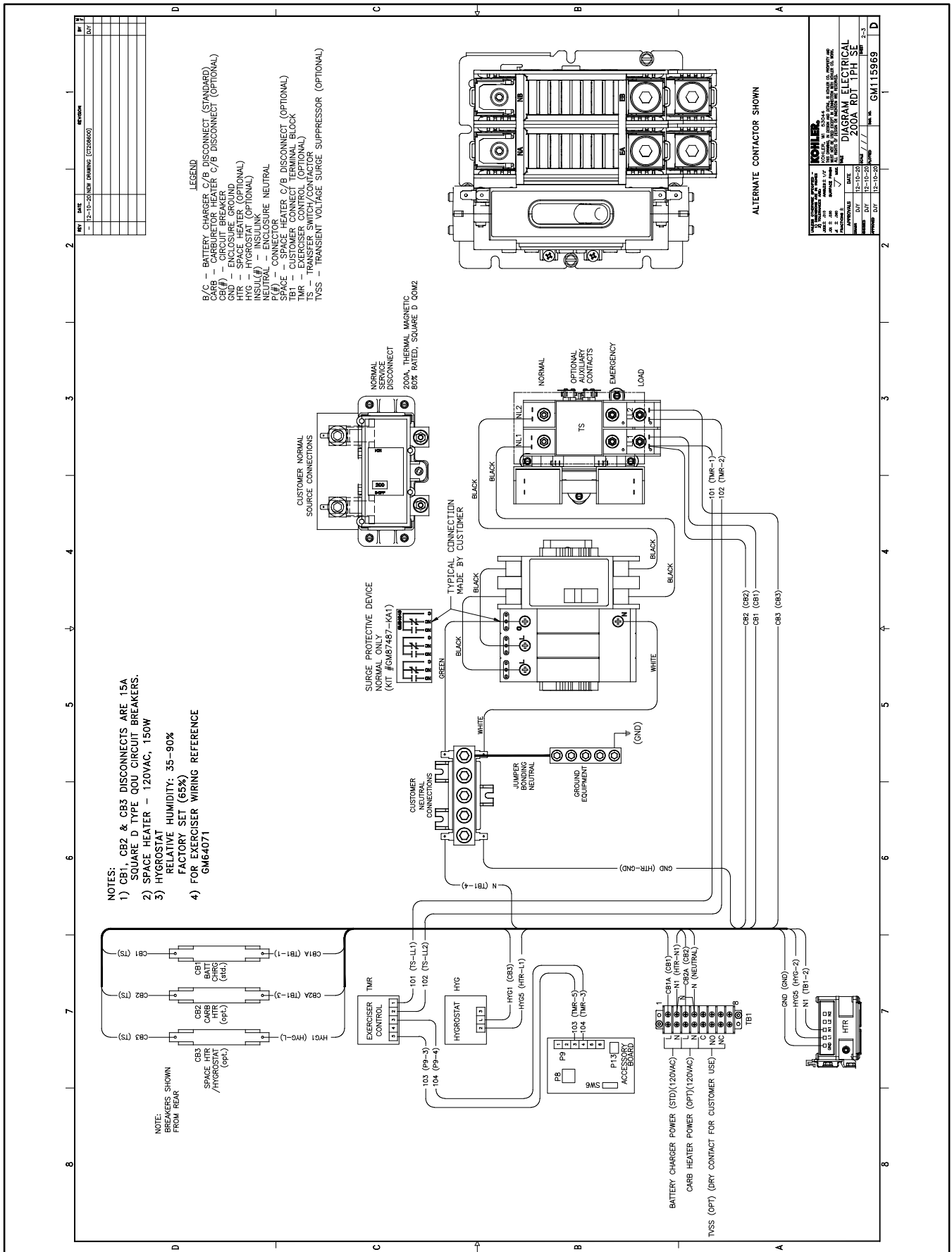


Figure 7-28 Schematic/Wiring Diagram, 200 Amp Service Entrance Switch, GM115969, Sheet 2 of 3

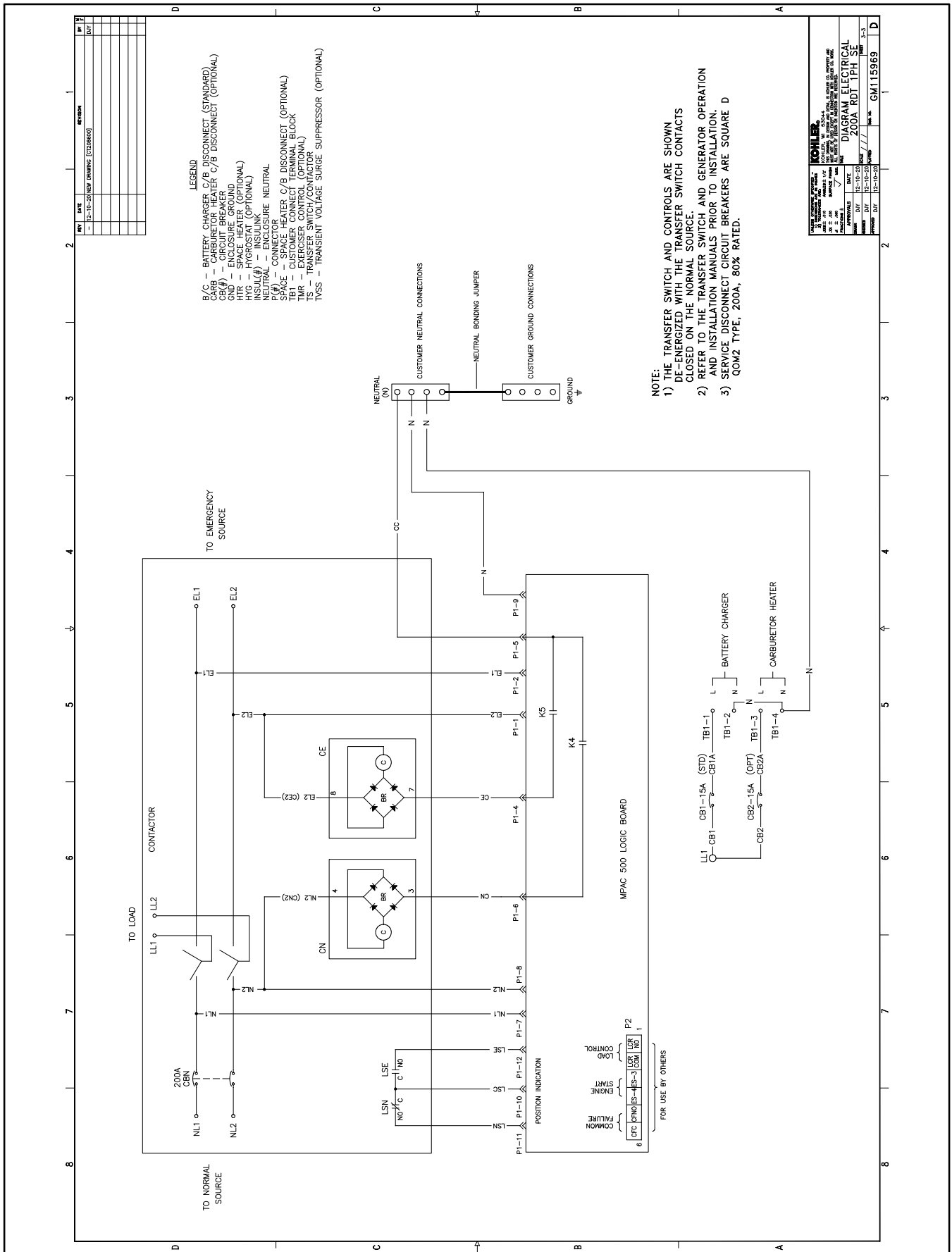


Figure 7-29 Schematic/Wiring Diagram, 200 Amp Service Entrance Switch, GM115969, Sheet 3 of 3

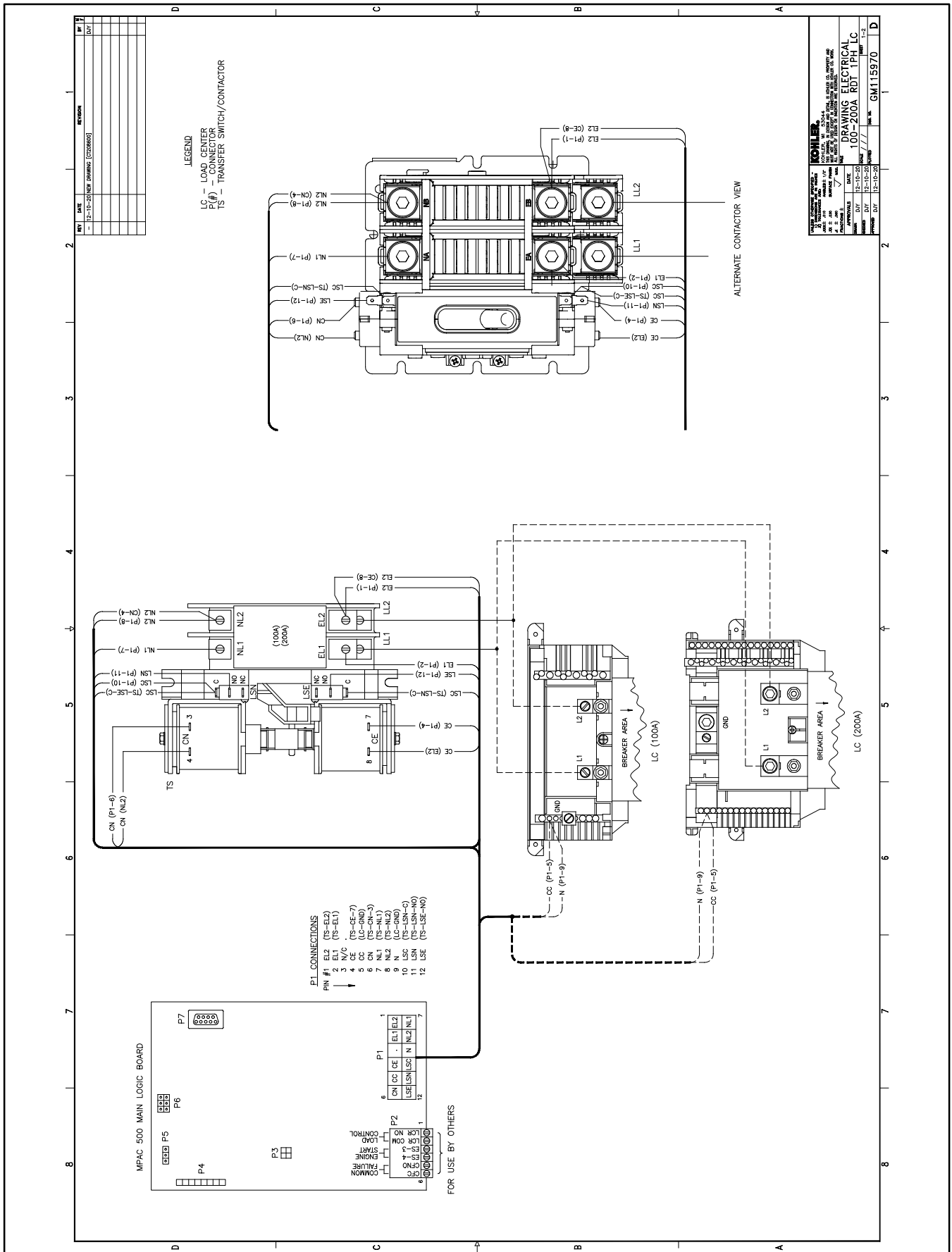


Figure 7-30 Schematic/Wiring Diagram, 100/200 Amp with Load Center, GM115970, Sheet 1

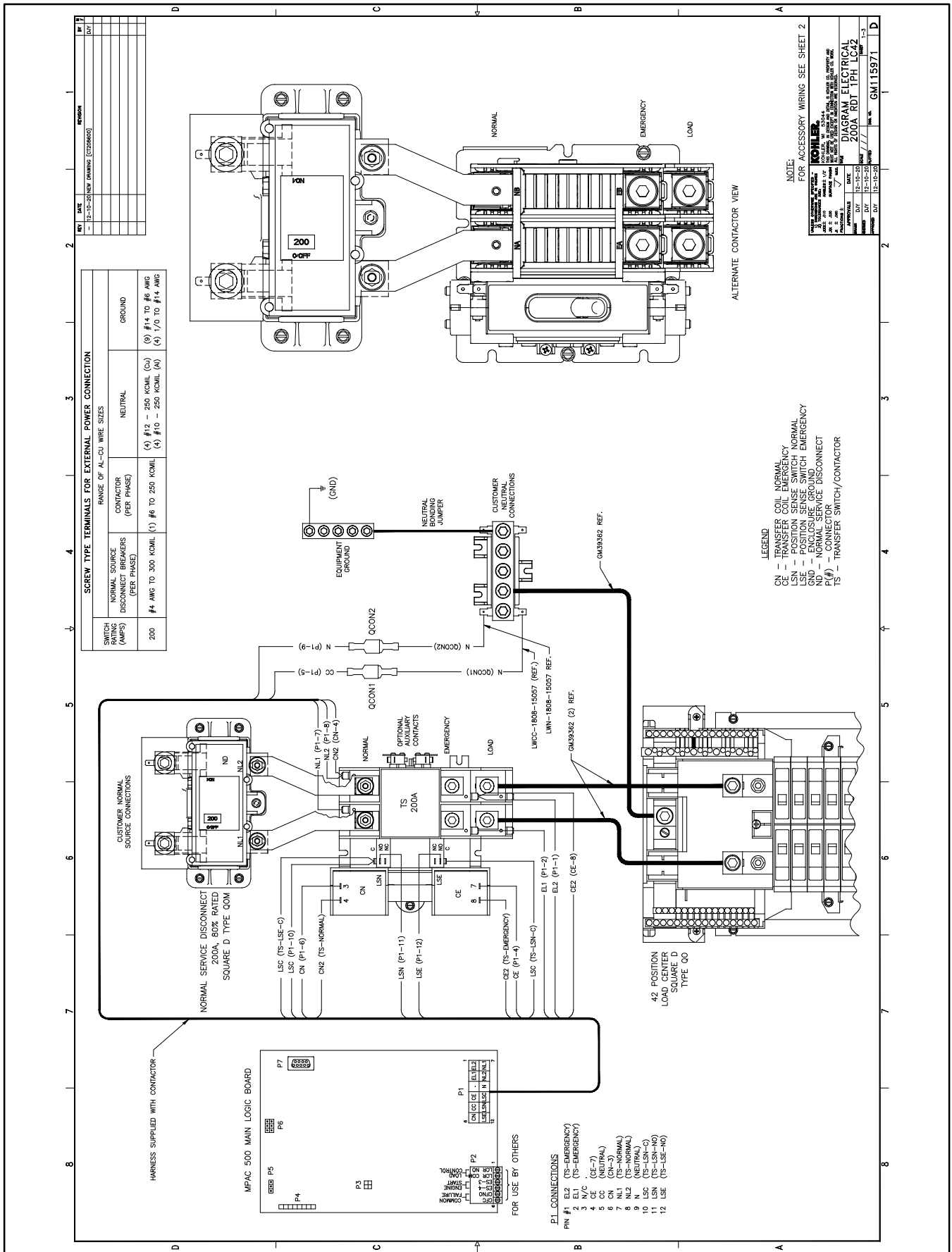


Figure 7-32 Schematic/Wiring Diagram, 200 Amp Service Entrance Switch with Load Center, GM115971, Sheet 1 of 3

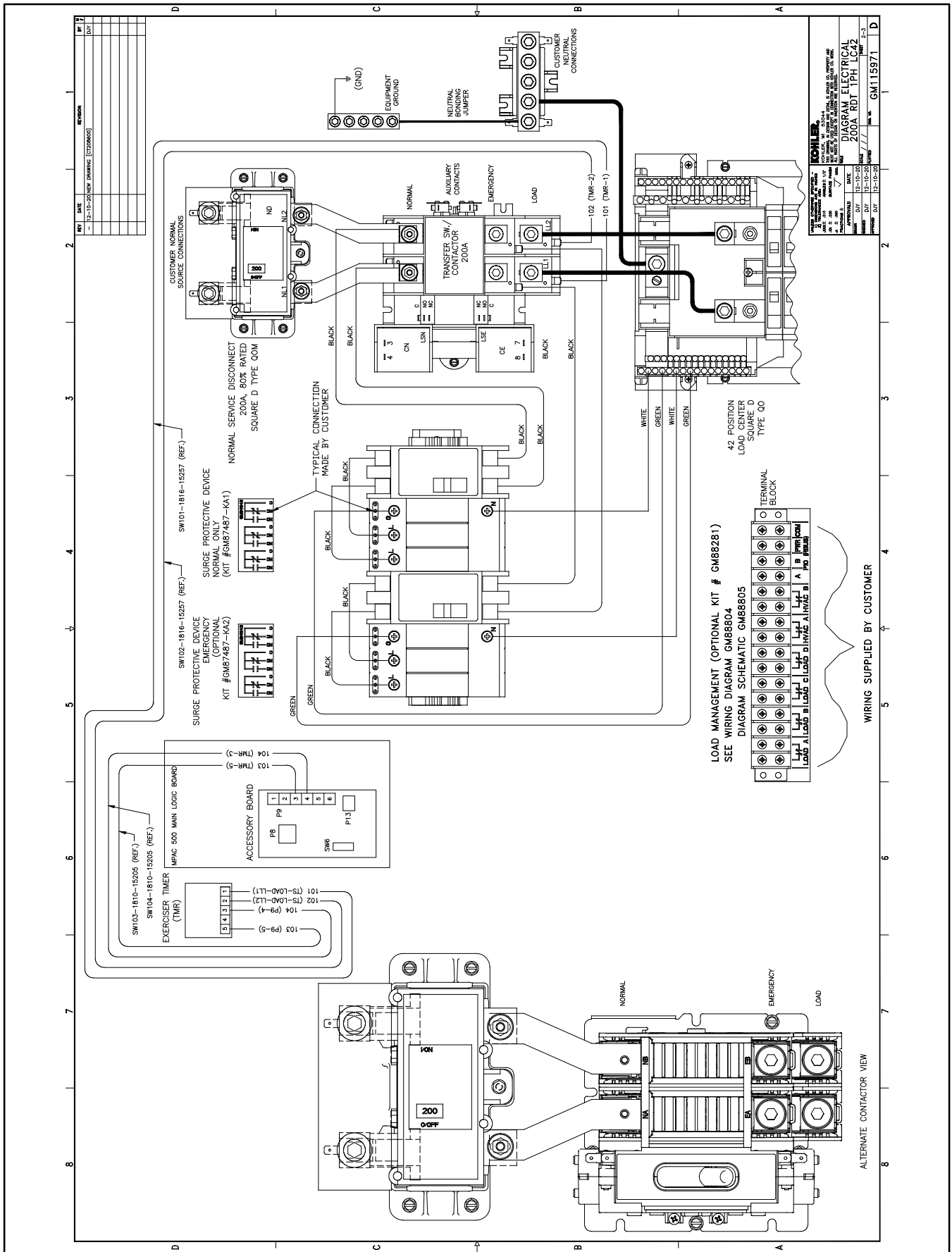
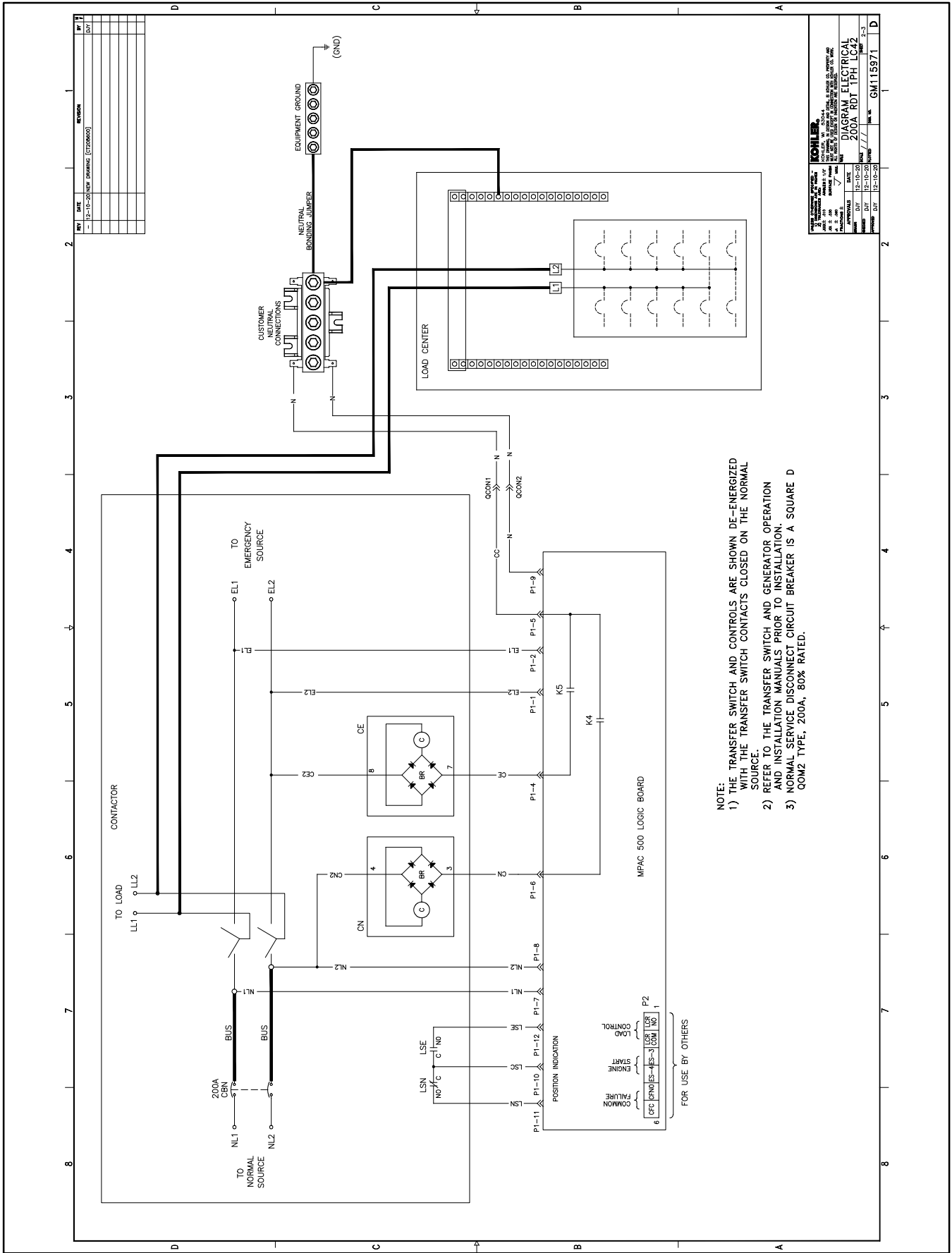


Figure 7-33 Schematic/Wiring Diagram, 200 Amp Service Entrance Switch with Load Center, GM115971, Sheet 2 of 3



- NOTE:
 1) THE TRANSFER SWITCH AND CONTROLS ARE SHOWN DE-ENERGIZED WITH THE TRANSFER SWITCH CONTACTS CLOSED ON THE NORMAL SOURCE.
 2) REFER TO THE TRANSFER SWITCH AND GENERATOR OPERATION AND INSTALLATION MANUALS PRIOR TO INSTALLATION.
 3) NORMAL SERVICE DISCONNECT CIRCUIT BREAKER IS A SQUARE D OOM2 TYPE, 200A, 80% RATED.

Figure 7-34 Schematic/Wiring Diagram, 200 Amp Service Entrance Switch with Load Center, GM115971, Sheet 3 of 3

Notes

Appendix A Abbreviations

The following list contains abbreviations that may appear in this publication.

A, amp	ampere	cfm	cubic feet per minute	exh.	exhaust
ABDC	after bottom dead center	CG	center of gravity	ext.	external
AC	alternating current	CID	cubic inch displacement	F	Fahrenheit, female
A/D	analog to digital	CL	centerline	FHM	flat head machine (screw)
ADC	advanced digital control; analog to digital converter	cm	centimeter	fl. oz.	fluid ounce
adj.	adjust, adjustment	CMOS	complementary metal oxide substrate (semiconductor)	flex.	flexible
ADV	advertising dimensional drawing	com	communications (port)	freq.	frequency
Ah	amp-hour	coml	commercial	FS	full scale
AHWT	anticipatory high water temperature	Coml/Rec	Commercial/Recreational connection	ft.	foot, feet
AISI	American Iron and Steel Institute	conn.	connection	ft. lb.	foot pounds (torque)
ALOP	anticipatory low oil pressure	cont.	continued	ft./min.	feet per minute
alt.	alternator	CPVC	chlorinated polyvinyl chloride	ftp	file transfer protocol
Al	aluminum	crit.	critical	g	gram
ANSI	American National Standards Institute (formerly American Standards Association, ASA)	CSA	Canadian Standards Association	ga.	gauge (meters, wire size)
AO	anticipatory only	CT	current transformer	gal.	gallon
APDC	Air Pollution Control District	Cu	copper	gen.	generator
API	American Petroleum Institute	cUL	Canadian Underwriter's Laboratories	genset	generator set
approx.	approximate, approximately	CUL	Canadian Underwriter's Laboratories	GFI	ground fault interrupter
APU	Auxiliary Power Unit	cu. in.	cubic inch	GND, ⊕	ground
AQMD	Air Quality Management District	cw.	clockwise	gov.	governor
AR	as required, as requested	CWC	city water-cooled	gph	gallons per hour
AS	as supplied, as stated, as suggested	cyl.	cylinder	gpm	gallons per minute
ASE	American Society of Engineers	D/A	digital to analog	gr.	grade, gross
ASME	American Society of Mechanical Engineers	DAC	digital to analog converter	GRD	equipment ground
assy.	assembly	dB	decibel	gr. wt.	gross weight
ASTM	American Society for Testing Materials	dB(A)	decibel (A weighted)	H x W x D	height by width by depth
ATDC	after top dead center	DC	direct current	HC	hex cap
ATS	automatic transfer switch	DCR	direct current resistance	HCHT	high cylinder head temperature
auto.	automatic	deg., °	degree	HD	heavy duty
aux.	auxiliary	dept.	department	HET	high exhaust temp., high engine temp.
avg.	average	dia.	diameter	hex	hexagon
AVR	automatic voltage regulator	DI/EO	dual inlet/end outlet	Hg	mercury (element)
AWG	American Wire Gauge	DIN	Deutsches Institut für Normung e. V. (also Deutsche Industrie Normenausschuss)	HH	hex head
AWM	appliance wiring material	DIP	dual inline package	HHC	hex head cap
bat.	battery	DPDT	double-pole, double-throw	HP	horsepower
BBDC	before bottom dead center	DPST	double-pole, single-throw	hr.	hour
BC	battery charger, battery charging	DS	disconnect switch	HS	heat shrink
BCA	battery charging alternator	DVR	digital voltage regulator	hsg.	housing
BCI	Battery Council International	E ² PROM, EEPROM	electrically-erasable programmable read-only memory	HVAC	heating, ventilation, and air conditioning
BDC	before dead center	E, emer.	emergency (power source)	HWT	high water temperature
BHP	brake horsepower	ECM	electronic control module, engine control module	Hz	hertz (cycles per second)
blk.	black (paint color), block (engine)	EDI	electronic data interchange	IBC	International Building Code
blk. htr.	block heater	EFR	emergency frequency relay	IC	integrated circuit
BMEP	brake mean effective pressure	e.g.	for example (<i>exempli gratia</i>)	ID	inside diameter, identification
bps	bits per second	EG	electronic governor	IEC	International Electrotechnical Commission
br.	brass	EGSA	Electrical Generating Systems Association	IEEE	Institute of Electrical and Electronics Engineers
BTDC	before top dead center	EIA	Electronic Industries Association	IMS	improved motor starting
Btu	British thermal unit	EI/EO	end inlet/end outlet	in.	inch
Btu/min.	British thermal units per minute	EMI	electromagnetic interference	in. H ₂ O	inches of water
C	Celsius, centigrade	emiss.	emission	in. Hg	inches of mercury
cal.	calorie	eng.	engine	in. lb.	inch pounds
CAN	controller area network	EPA	Environmental Protection Agency	Inc.	incorporated
CARB	California Air Resources Board	EPS	emergency power system	ind.	industrial
CAT5	Category 5 (network cable)	ER	emergency relay	int.	internal
CB	circuit breaker	ES	engineering special, engineered special	int./ext.	internal/external
CC	crank cycle	ESD	electrostatic discharge	I/O	input/output
cc	cubic centimeter	est.	estimated	IP	internet protocol
CCA	cold cranking amps	E-Stop	emergency stop	ISO	International Organization for Standardization
ccw.	counterclockwise	etc.	et cetera (and so forth)	J	joule
CEC	Canadian Electrical Code			JIS	Japanese Industry Standard
cert.	certificate, certification, certified			k	kilo (1000)
cfh	cubic feet per hour			K	kelvin
				kA	kiloampere
				KB	kilobyte (2 ¹⁰ bytes)
				KBus	Kohler communication protocol
				kg	kilogram

kg/cm ²	kilograms per square centimeter	NC	normally closed	RTU	remote terminal unit
kgm	kilogram-meter	NEC	National Electrical Code	RTV	room temperature vulcanization
kg/m ³	kilograms per cubic meter	NEMA	National Electrical Manufacturers Association	RW	read/write
kHz	kilohertz	NFPA	National Fire Protection Association	SAE	Society of Automotive Engineers
kJ	kilojoule	Nm	newton meter	scfm	standard cubic feet per minute
km	kilometer	NO	normally open	SCR	silicon controlled rectifier
kOhm, kΩ	kilo-ohm	no., nos.	number, numbers	s, sec.	second
kPa	kilopascal	NPS	National Pipe, Straight	SI	<i>Systeme international d'unites</i> , International System of Units
kph	kilometers per hour	NPSC	National Pipe, Straight-coupling	SI/EO	side in/end out
kV	kilovolt	NPT	National Standard taper pipe thread per general use	sil.	silencer
kVA	kilovolt ampere	NPTF	National Pipe, Taper-Fine	SMTP	simple mail transfer protocol
kVAR	kilovolt ampere reactive	NR	not required, normal relay	SN	serial number
kW	kilowatt	ns	nanosecond	SNMP	simple network management protocol
kWh	kilowatt-hour	OC	overcrank	SPDT	single-pole, double-throw
kWm	kilowatt mechanical	OD	outside diameter	SPST	single-pole, single-throw
kWth	kilowatt-thermal	OEM	original equipment manufacturer	spec	specification
L	liter	OF	overfrequency	specs	specification(s)
LAN	local area network	opt.	option, optional	sq.	square
L x W x H	length by width by height	OS	oversize, overspeed	sq. cm	square centimeter
lb.	pound, pounds	OSHA	Occupational Safety and Health Administration	sq. in.	square inch
lbm/ft ³	pounds mass per cubic feet	OV	overvoltage	SMS	short message service
LCB	line circuit breaker	oz.	ounce	SS	stainless steel
LCD	liquid crystal display	p., pp.	page, pages	std.	standard
LED	light emitting diode	PC	personal computer	stl.	steel
Lph	liters per hour	PCB	printed circuit board	tach.	tachometer
Lpm	liters per minute	pF	picofarad	TB	terminal block
LOP	low oil pressure	ph., ∅	phase	TCP	transmission control protocol
LP	liquefied petroleum	PHC	Phillips® head Crimpite® (screw)	TD	time delay
LPG	liquefied petroleum gas	PHH	Phillips® hex head (screw)	TDC	top dead center
LS	left side	PHM	pan head machine (screw)	TDEC	time delay engine cooldown
L _{wa}	sound power level, A weighted	PLC	programmable logic control	TDEN	time delay emergency to normal
LWL	low water level	PLC	programmable logic control	TDES	time delay engine start
LWT	low water temperature	PMG	permanent magnet generator	TDNE	time delay normal to emergency
m	meter, milli (1/1000)	pot	potentiometer, potential	TDOE	time delay off to emergency
M	mega (10 ⁶ when used with SI units), male	ppm	parts per million	TDON	time delay off to normal
m ³	cubic meter	PROM	programmable read-only memory	temp.	temperature
m ³ /hr.	cubic meters per hour	psi	pounds per square inch	term.	terminal
m ³ /min.	cubic meters per minute	psig	pounds per square inch gauge	THD	total harmonic distortion
mA	milliampere	pt.	pint	TIF	telephone influence factor
man.	manual	PTC	positive temperature coefficient	tol.	tolerance
max.	maximum	PTO	power takeoff	turbo.	turbocharger
MB	megabyte (2 ²⁰ bytes)	PVC	polyvinyl chloride	typ.	typical (same in multiple locations)
MCCB	molded-case circuit breaker	qt.	quart, quarts	UF	underfrequency
MCM	one thousand circular mils	qty.	quantity	UHF	ultrahigh frequency
meggar	megohmmeter	R	replacement (emergency)	UIF	user interface
MHz	megahertz	rad.	radiator, radius	UL	Underwriter's Laboratories, Inc.
mi.	mile	RAM	random access memory	UNC	unified coarse thread (was NC)
mil	one one-thousandth of an inch	RBUS	RS-485 proprietary communications	UNF	unified fine thread (was NF)
min.	minimum, minute	RDO	relay driver output	univ.	universal
misc.	miscellaneous	ref.	reference	URL	uniform resource locator (web address)
MJ	megajoule	rem.	remote	US	undersize, underspeed
mJ	millijoule	Res/Coml	Residential/Commercial	UV	ultraviolet, undervoltage
mm	millimeter	RFI	radio frequency interference	V	volt
mOhm, mΩ	milliohm	RH	round head	VAC	volts alternating current
MOhm, MΩ	megohm	RHM	round head machine (screw)	VAR	voltampere reactive
MOV	metal oxide varistor	rly.	relay	VDC	volts direct current
MPa	megapascal	rms	root mean square	VFD	vacuum fluorescent display
mpg	miles per gallon	rnd.	round	VGA	video graphics adapter
mph	miles per hour	RO	read only	VHF	very high frequency
MS	military standard	ROM	read only memory	W	watt
ms	millisecond	rot.	rotate, rotating	WCR	withstand and closing rating
m/sec.	meters per second	rpm	revolutions per minute	w/	with
mtg.	mounting	RS	right side	WO	write only
MTU	Motoren-und Turbinen-Union	RTDs	Resistance Temperature Detectors	w/o	without
MW	megawatt			wt.	weight
mW	milliwatt			xfrm	transformer
μF	microfarad				
N, norm.	normal (power source)				
NA	not available, not applicable				
nat. gas	natural gas				
NBS	National Bureau of Standards				

TP-7192 4/21

© 2021 Kohler Co. All rights reserved.

KOHLER®

KOHLER CO., Kohler, Wisconsin 53044
Phone 920-457-4441, Fax 920-459-1646
For the nearest sales/service outlet in the
US and Canada, phone 1-800-544-2444
KOHLERPower.com