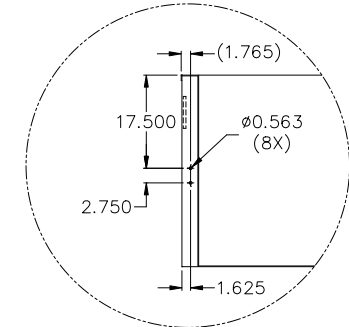
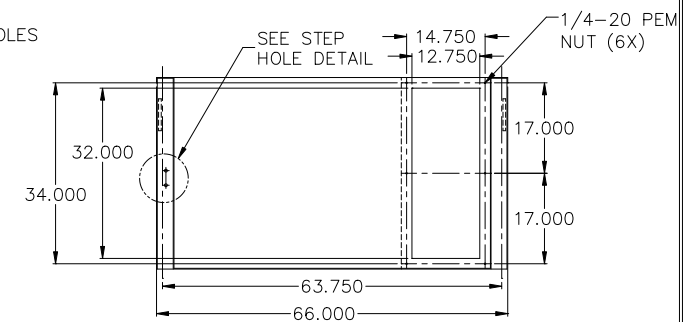
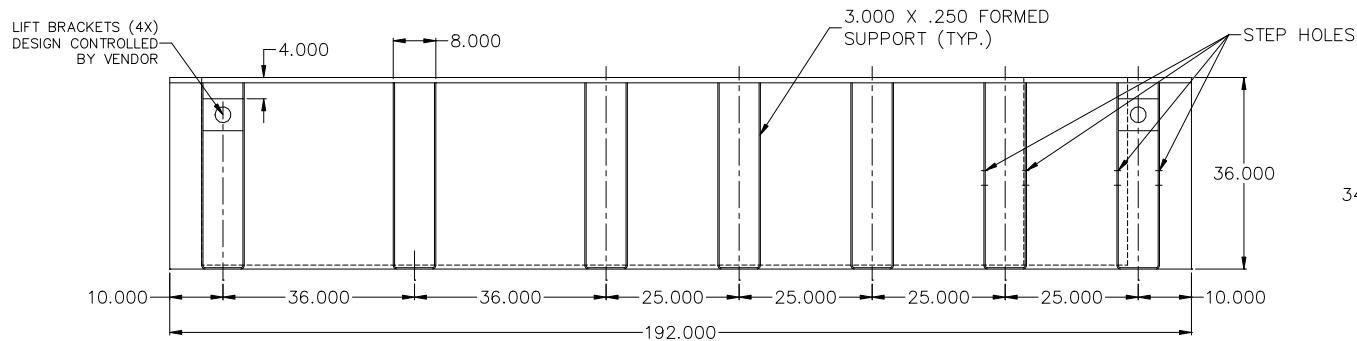


**48HR TANK**  
**VD350, VD400 (01)**  
**LVO/LV1/LV2/LV3**



STEP HOLE DETAIL



## NOTES:

1. MATERIAL: 10GA
2. SECONDARY CONTAINMENT TANK
3. FINISH PAINT GLOSS BLACK
4. TANK TO INCLUDE
  - FUEL SUPPLY / RETURN DIP TUBES
  - LIFTING / TIE DOWN BRACKETS

APPROXIMATE WEIGHT: 3200 LBS

## REVISIONS:

LEVEL:	DESCRIPTION:	DATE:	BY:
NA	NA	NA	NA

**BLUE STAR**  
Power Systems Inc.

TANK SB 1420 GL DW UL W/STUB-UP

P/N: TBD 192"L X 66"W X 36"H

DATE: 12-17-15

BY: KDH

DRAWN TO SCALE