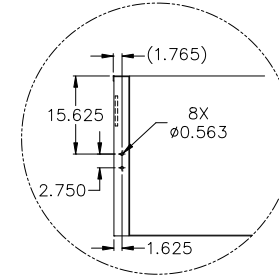
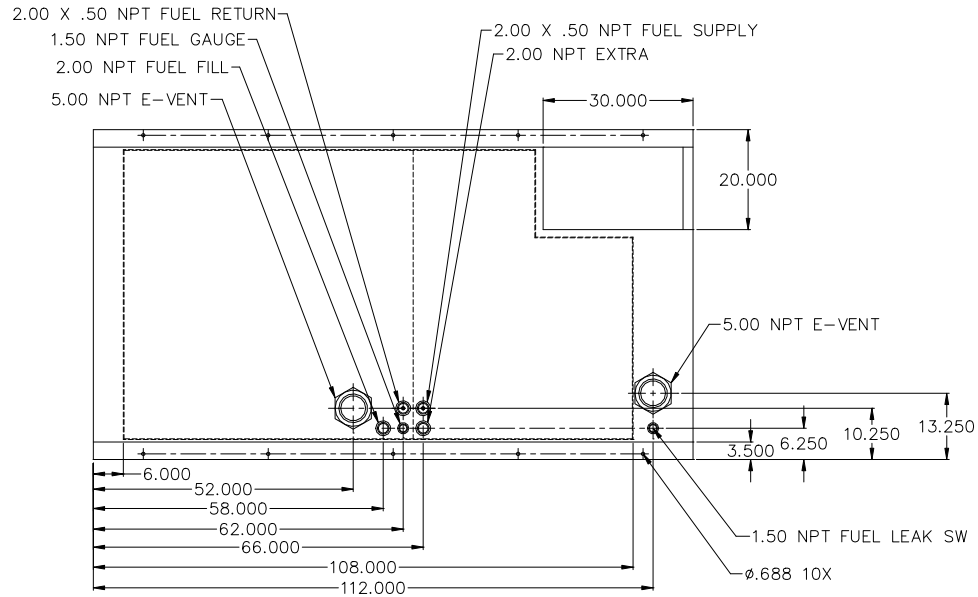
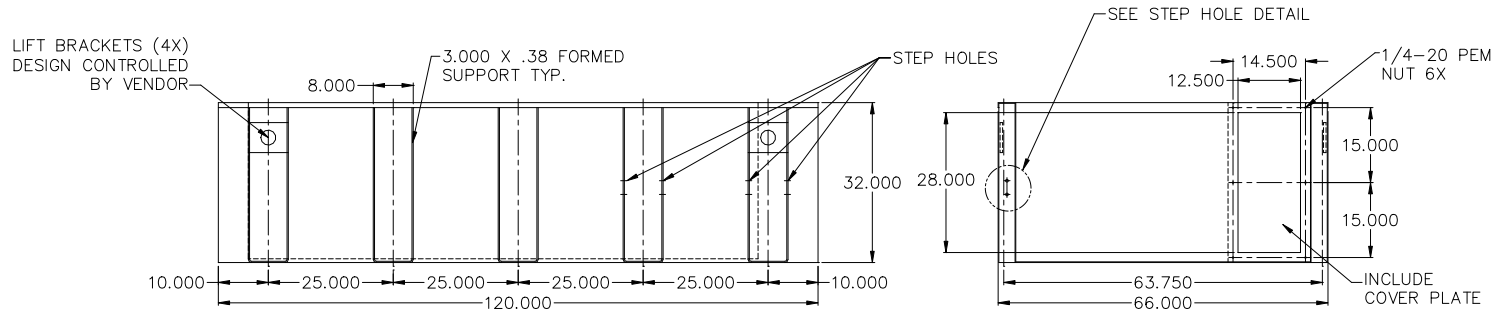


24HR TANK VD350, VD400



STEP HOLE DETAIL



NOTES:

1. MATERIAL: 10GA INNER TANK
10GA RUPTURE BASIN
2. SECONDARY CONTAINMENT TANK
3. FINISH PAINT GLOSS BLACK
4. TANK TO INCLUDE
 - FUEL SUPPLY / RETURN DIP TUBES
 - LIFTING / TIE DOWN BRACKETS

APPROXIMATE WEIGHT: 2000 LBS

REVISIONS:

LEVEL:	DESCRIPTION:	DATE:	BY:
NA	NA	NA	NA

BLUE STAR
Power Systems Inc.

TANK SB 710GL DW UL W/STUB-UP

P/N: 19096 120"L X 66"W X 32"H

DATE: 12-08-15

BY: KAP

DRAWN TO SCALE