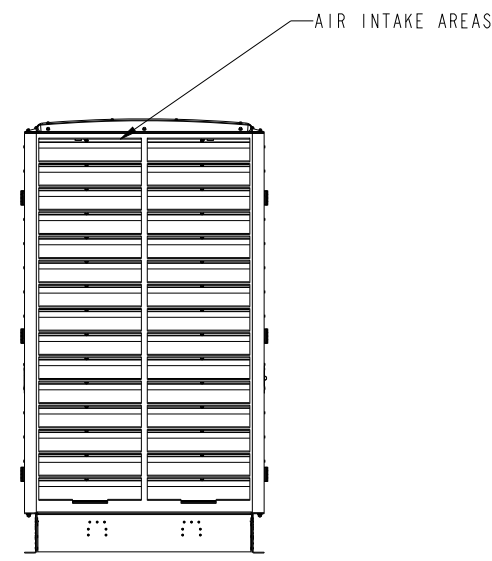
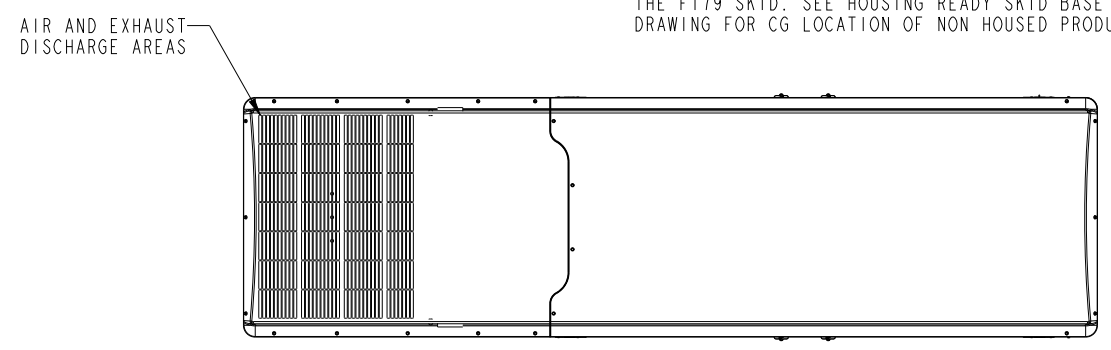


REL NO	REV NO	REVISION	DRN	CKD	APVD	DATE	
ECO-164828	A	1	PRODUCTION_RELEASE	YN	NK	A.CHINTHALURI	30SEP16

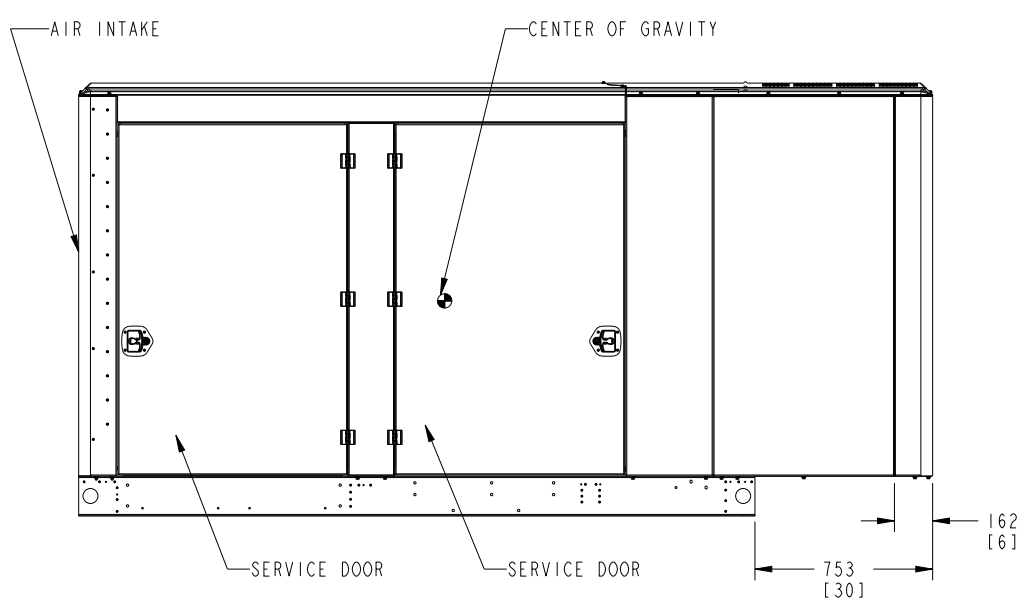
- NOTES:
- DIM [ ] IN INCHES
  - WITH THIS HOUSING INSTALLED ON AN OPEN GENERATOR SET, THE TOTAL WEIGHT WILL INCREASE BY 196 KG (432 LBS). THIS INCLUDES THE MUFFLER.
  - THE CENTER OF GRAVITY OF THE GENERATOR SET WHEN EQUIPPED WITH THIS HOUSING SHIFTS APPROXIMATELY 63MM (2.48 INCH) TOWARDS THE AIR DISCHARGE END OF THE HOUSING AND 36MM (1.42 INCH) HIGHER FROM THE GROUND, COMPARED TO THE EQUIVALENT NON-HOUSED PRODUCT WITH THE F179 SKID. SEE HOUSING READY SKID BASE OUTLINE DRAWING FOR CG LOCATION OF NON HOUSED PRODUCT.



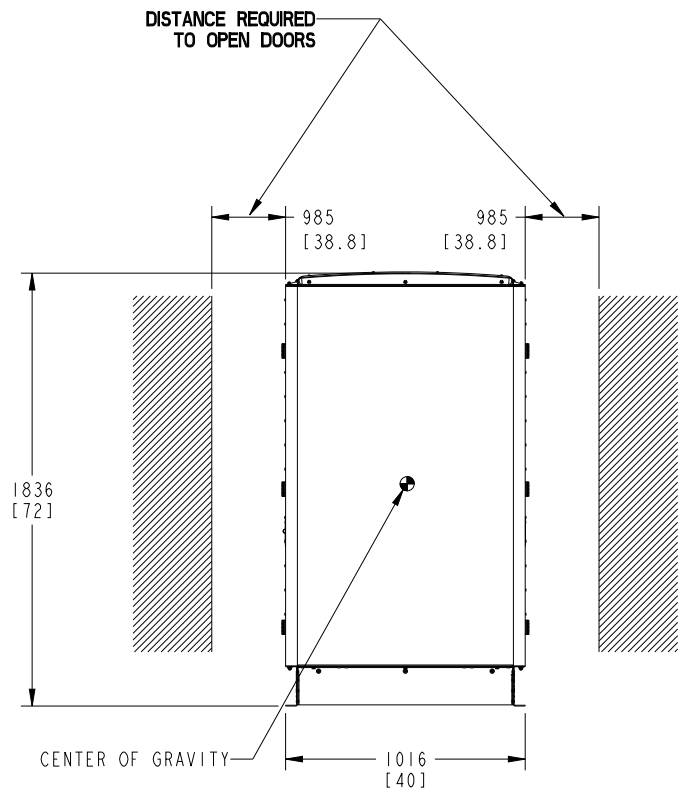
AIR INTAKE VIEW



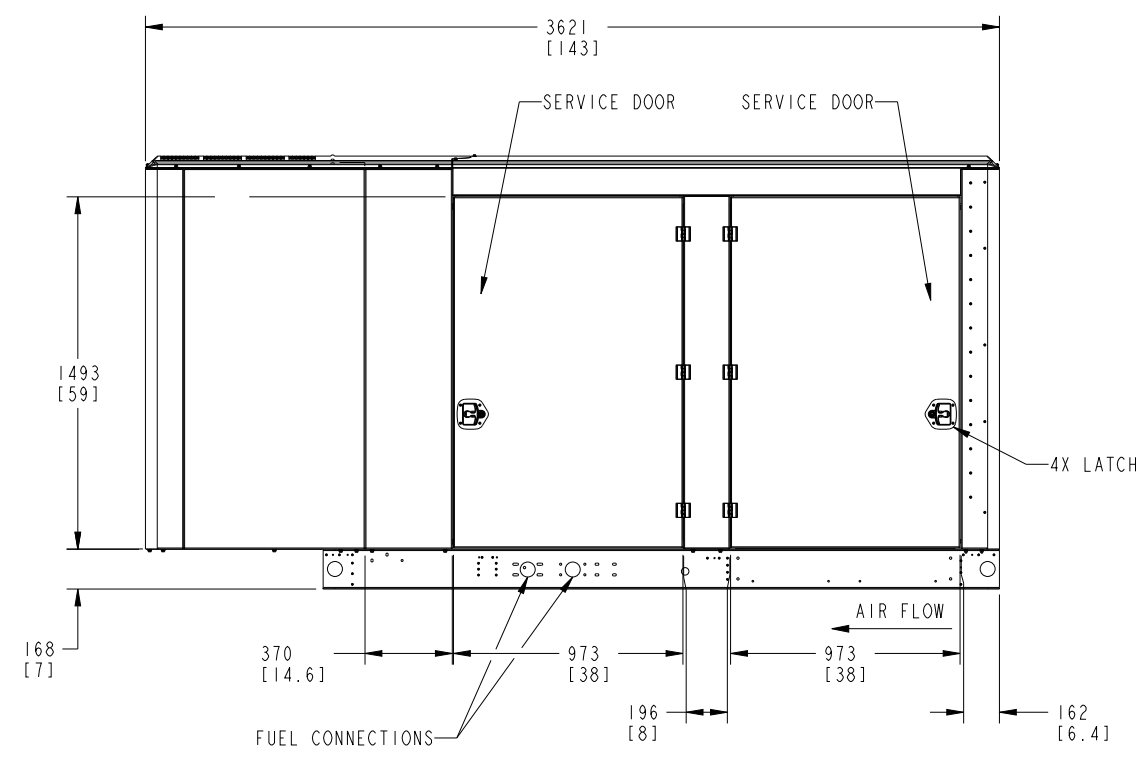
TOP VIEW



RIGHT SIDE VIEW



AIR OUTLET VIEW

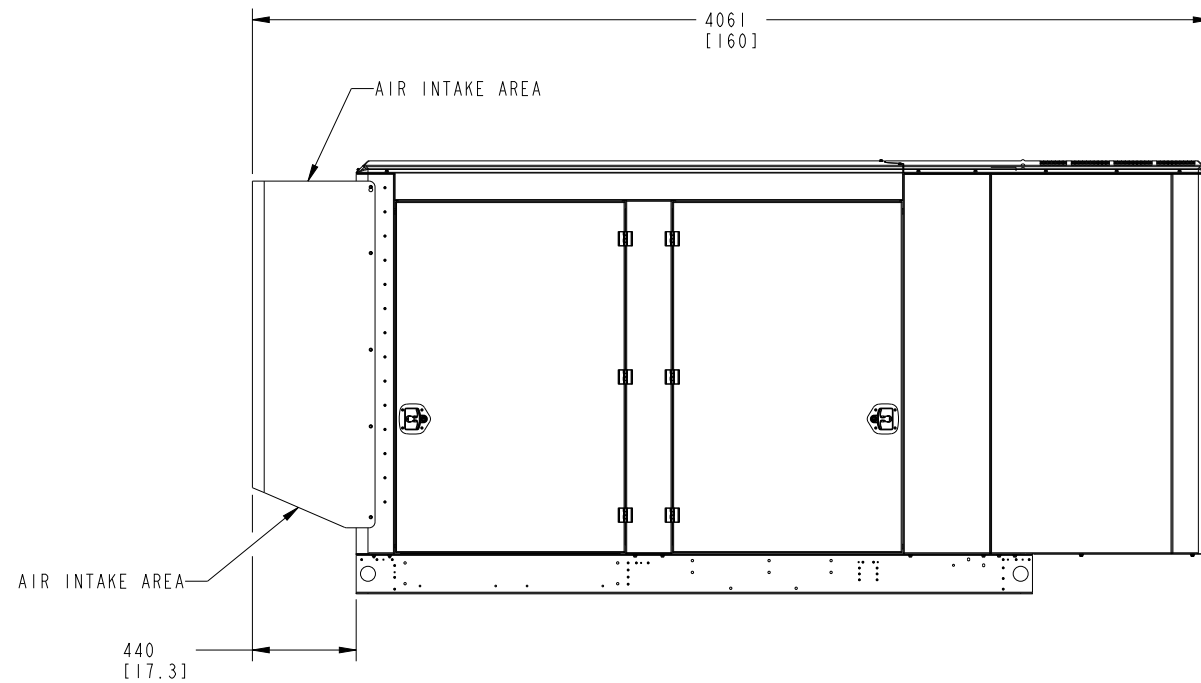
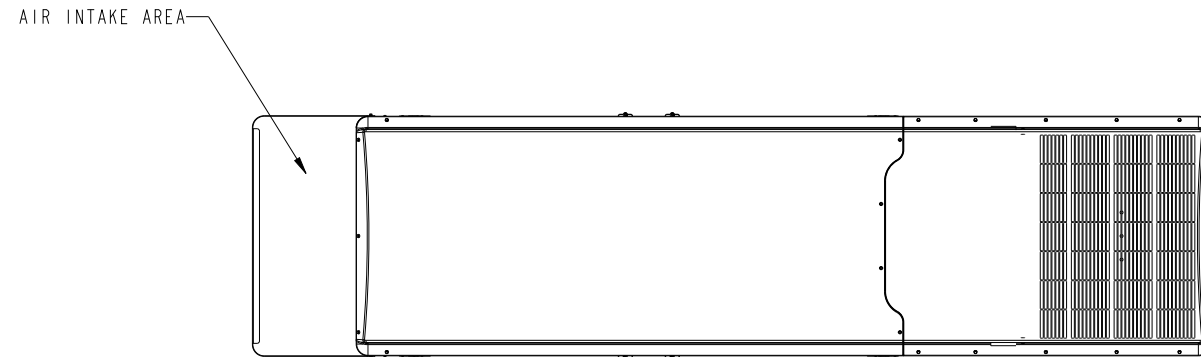


LEFT SIDE VIEW

### F231-2 ENCLOSURE CONFIGURATION

UNLESS OTHERWISE SPECIFIED, ALL DIMENSIONS ARE IN MILLIMETERS		SHW TO: A051P365	DRW: Y_NICHT		CUMMINS POWER GENERATION
DO NOT SCALE PRINT		CKD: N_KASIBHOTLA	APVD: A.CHINTHALURI		OUTLINE, ENCLOSURE
DIM	TOLERANCE	DATE: 20SEP16		SITE CODE	
ANG TOL	SCALE	FIRST USED ON: ARROW		PGF	
± 1.0°	1/15	FOR INTERPRETATION OF DIMENSIONS AND TOLERANCING, SEE ASME Y14.5-2009		SIZE: D	CAD SHEET: 1 of 2
				ARROW	A055V240

REL NO	REV	NO	REVISION	DRN	CKD	APVD	DATE
ECO-164828	A	1	PRODUCTION_RELEASE	Y	N	A,CHINTHALURI	30SEP16



**F217-2 ENCLOSURE CONFIGURATION**

**REFER TO PAGE 1 (F231-2 ENCLOSURE) FOR  
OTHER F217-2 ENCLOSURE DIMENSIONS**

UNLESS OTHERWISE SPECIFIED, ALL DIMENSIONS ARE IN MILLIMETERS				SHW TO	DRN	CUMMINS POWER GENERATION	
DO NOT SCALE PRINT				A051P365	Y_NICHIT	OUTLINE, ENCLOSURE	
DIM	TOL	SCALE	DATE	CKD	APVD	SITE CODE	DATE
X ± 1	0.00- 4.99 +0.15/-0.08	1/15	20SEP16	N_KASIBHOTLA	A_CHINTHALURI		
.X ± 0.8	5.00- 9.99 +0.20/-0.10						
.XX ± 0.38	10.00-17.49 +0.25/-0.13						
	17.50-24.99 +0.30/-0.13						
ANG TOL	SCALE	THIS DOCUMENT (AND THE INFORMATION SHOWN THEREON) IS CONFIDENTIAL AND PROPRIETARY AND SHALL NOT BE DISCLOSED TO OTHERS IN HARD COPY OR ELECTRONIC FORM, REPRODUCED BY ANY MEANS, OR USED FOR ANY PURPOSE WITHOUT WRITTEN CONSENT OF CUMMINS INC.		FOR INTERPRETATION OF DIMENSIONING AND TOLERANCING, SEE ASME Y14.5-2009		PGF	DATE
± 1.0°	1/15			ARROW		D	2 of 2
				AW	PGF	A055V240	CAD SHEET
							2 of 2

**Part A055V240 A**

Description	Legacy Name	External Regulations	Application Status	Release Phase Code	Security Classification	Alternates
OUTLINE,ENCLOSURE	A055V240	No External Regulations Apply	Production Only	Production	Confidential	

**Part Specifications :A055V240 A**

Name	Description	Legacy Name
A030B356	SPECIFICATION,MATERIAL	CES10903
A055V241	DRAWING,ENGINEERING	A055V241