

BLUE STAR

Power Systems Inc.

Gaseous Product Line

208-600 Volt

NG650-01

60 Hz / 1800 RPM

650 kWe

Standby

Ratings

	208V	240V	480V	600V
Phase	3	3	3	3
PF	0.8	0.8	0.8	0.8
Hz	60	60	60	60
Generator Model	S6L1D-C	S6L1D-C	HCI534F	HCI534F
Connection	12 LEAD WYE	12 LEAD DELTA	12 LEAD WYE	4 LEAD WYE
kWe Nat (LP)	650 (400)	650 (400)	650 (400)	650 (400)
AMPS Nat (LP)	2258 (1390)	1957 (1204)	978 (602)	783 (482)
Temp Rise	125°C / 40°C	125°C / 40°C	125°C / 40°C	125°C / 40°C

Standard Equipment

- | | | |
|--|---|---|
| <p>Engine</p> <ul style="list-style-type: none"> - Radiator Cooled Unit Mounted (50°C) - Radiator Duct Flange (OPU Only) - Blower Fan & Fan Drive - Starter & Alternator - Oil Pump & Filter - Oil Drain Extension w/Valve - Governor - Electronic Isochronous - 24V Battery System & Cables - Air Cleaner (Dry Single Stage) - Catalyst / Silencer Mounted - Flexible Fuel Connector - EPA Certified | <p>Generator</p> <ul style="list-style-type: none"> - Brushless Single Bearing - Automatic Voltage Regulator - ± 0.50% Voltage Regulation - 4 Pole, Rotating Field - 125°C Standby Temperature Rise - 100% of Rated Load - One Step - 5% Maximum Harmonic Content - NEMA MG 1, IEEE and ANSI Standards Compliance for Temperature Rise | <p>Additional</p> <ul style="list-style-type: none"> - Single Source Supplier - UL 2200 & cUL Listed - CSA Certified - Seismic Certified to IBC 2021 - NFPA 110 / CSA C282 Compliant - Microprocessor Based Digital Control Panel Mounted in NEMA 12 Enclosure - Base - Structural Steel - Main Line Circuit Breaker Mounted & Wired - Battery Charger 24V 5 Amp - Jacket Water Heater (Qty 2) -20°F 5000W 240V w/Isolation Valves - Vibration Isolation Mounts (Pad Type) - 2 Year / 2000 Hour Standby Warranty - Standard Colors - White / Gray |
|--|---|---|

Application Data

Engine

Manufacturer:	Power Solutions International	Displacement - Cu. In. (lit):	1941 (31.8)
Model:	32L	Bore - in. (cm) x Stroke - in. (cm):	5.91 (15.0) x 5.91 (15.0)
Type:	4-Cycle	Compression Ratio:	10.5 : 1
Aspiration:	Turbo Charged, CAC	Rated RPM:	1800
Cylinder Arrangement:	12 Cylinder Vee	Max HP Stby (kWm):	966 (721)

Exhaust System

Standby

Gas Temp. (Stack): °F (°C)	1,183 (639)
Gas Volume at Stack Temp: CFM (m³/min)	4,354 (123)
Maximum Allowable Exhaust Restriction (Post Catalyst): in. H ₂ O (kPa)	20.8 (5.20)

Cooling System

Ambient Capacity of Radiator: °F (°C)	122 (50.0)
Maximum Allowable Static Pressure on Rad. Exhaust: in. H ₂ O (kPa)	0.50 (0.12)
Water Pump Flow Rate: GPM (lit/min)	361 (1,367)
Heat Rejection to Coolant: BTUM (kW)	34,074 (596)
Heat Rejection to CAC: BTUM (kW)	4,169 (73.0)
Heat Radiated to Ambient: BTUM (kW)	12,787 (224)

Air Requirements

Aspirating: CFM (m³/min)	1,320 (37.4)
Air Flow Required for Rad. Cooled Unit: CFM (m³/min)	41,200 (1,166)
Air Flow Required for Heat Exchanger/Rem. Rad. CFM (m³/min)	Consult Factory For Remote Cooled Applications

Standby

Fuel Consumption

Natural Gas

LP

At 100% of Power Rating: ft ³ /hr (m ³ /hr)	7,259 (205)	2,177 (61.6)
At 75% of Power Rating: ft ³ /hr (m ³ /hr)	5,708 (162)	1,644 (46.5)
At 50% of Power Rating: ft ³ /hr (m ³ /hr)	4,208 (119)	1,212 (34.3)
Fuel Inlet Size: NPT		3.00"
Fuel Pressure Required: in. H ₂ O (kPa)		11.0 (2.75)

Fluids Capacity

Total Oil System: gal (lit)	32.2 (122)
Engine Jacket Water Capacity: gal (lit)	29.1 (110)
System Coolant Capacity: gal (lit)	54.4 (206)

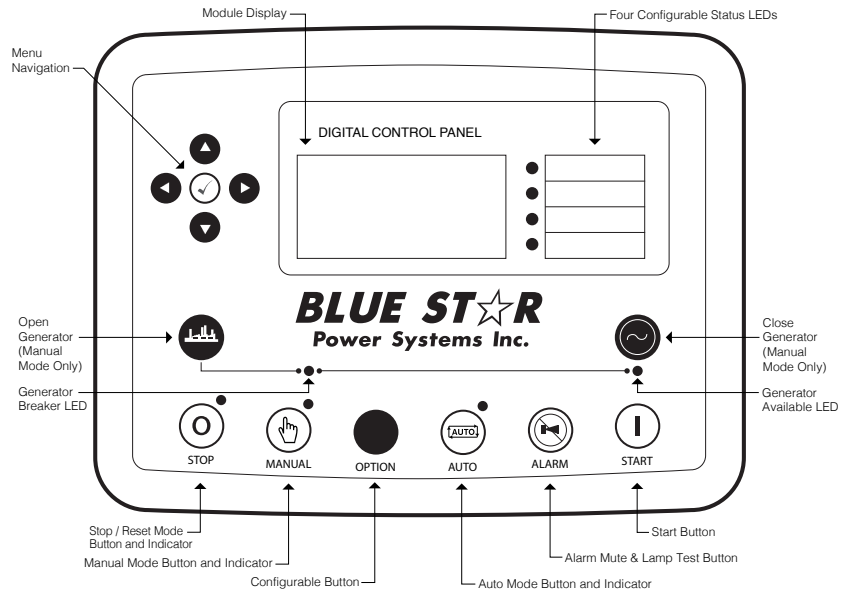
All calculations based on natural gas fuel.

Deration Factors: Temperature: Derate 1.5% Per 10°F Over 77°F Air Inlet Temperature | Altitude: Derate 2.5% Per 1,000 ft Over 1,200 ft

DCP7310 Control Panel

Standard Features

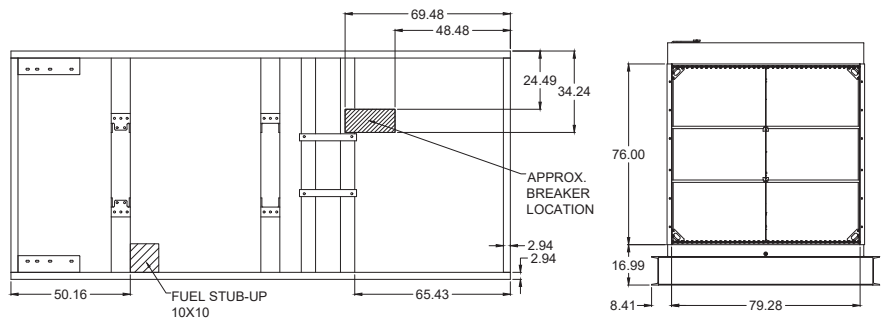
- Digital Metering
- Engine Parameters
- Generator Protection Functions
- Engine Protection
- CAN Bus (J1939) ECU Communications
- Windows-Based Software
- Multilingual Capability
- Remote Communications to DSE2548 Remote Annunciator
- 8 Programmable Contact Inputs
- 10 Contact Outputs
- RS485 Communicator Interface
- cULus Listed, CE Approved
- Event Recording
- IP 65 rating (with supplied gasket) offers increased resistance to water ingress
- NFPA 110 Level 1 Compatible



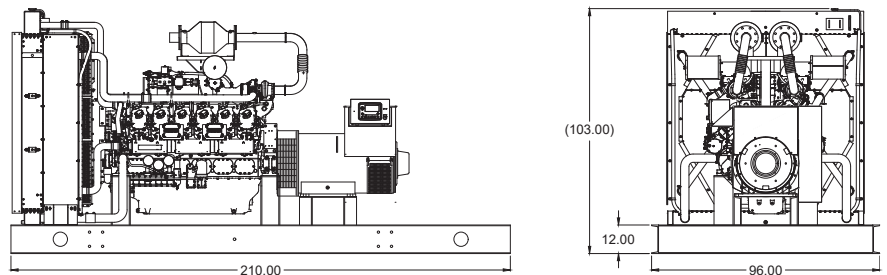
Weights / Dimensions / Sound Data

	L x W x H	Weight lbs
OPU	210 x 96 x 103 in	16,175
Level 1	210 x 96 x 108 in	18,075
Level 2	210 x 96 x 108 in	18,175
Level 3	285 x 96 x 108 in	19,175

Please allow 6-12 inches for height of exhaust stack.

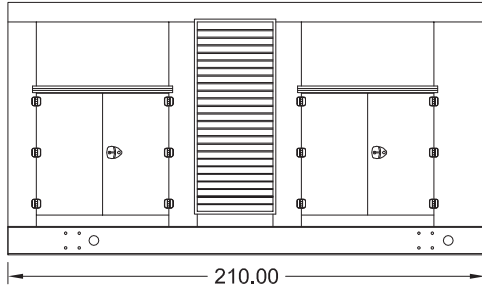


	No Load	Full Load
OPU	86 dBA	89 dBA
Level 1	84 dBA	87 dBA
Level 2	79 dBA	82 dBA
Level 3	74 dBA	77 dBA

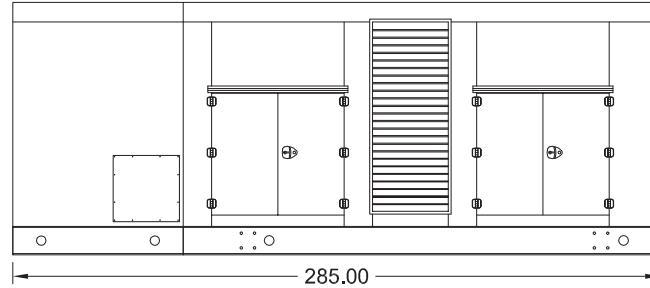


Enclosures

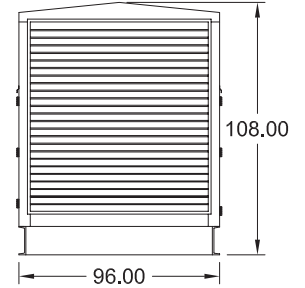
Level 1 & 2 | Side View (Weather Proof)



Level 3 | Side View (Sound Attenuated)



Level 1, 2 & 3 | Intake View



- All enclosure models are 200 MPH wind rating certified in accordance with IBC2021 and ASCE/SEI 7-16 standards.
- Level 2 & 3 enclosures include sound attenuation foam
- Level 3 enclosure includes frontal sound & exhaust hood.
- Enclosure height does not include exhaust stack.

Notes

- All specification sheet dimensions are represented in inches.
- All drawings based on standard 480 volt standby generator. Lengths may vary with other voltages. All drawings and dimensions subject to change without notice.
- All enclosures are based on the standard unit configuration. Any requested deviation can change dimensions.
- Sound data is measured at 23 feet (7 meters) in accordance with ISO 8528-10.
- All materials and specifications subject to change without notice.

American Owned



American Made

Blue Star Power Systems, Inc.

2250 Carlson Drive

North Mankato, Minnesota 56003

Phone + 1 507 345 1776

bluestarps.com

quote.bluestarps.com

sales@bluestarps.com