

NRG Series Battery Chargers



Blue Star Power Systems, Inc.'s NRG series chargers are the most advanced and feature-rich battery chargers available. NRG battery chargers maximize starting system reliability by utilizing a 10 or 20 amp output, microprocessor controlled power and an array of other features.

Highlights

- ▶ Fully automated battery charging
- ▶ Easy to understand interface with state-of-the-art system status display
- ▶ Battery-fault alarm
- ▶ Watertight, shock and corrosion proof
- ▶ Increases battery life and watering intervals by 400% or more
- ▶ cULus listed



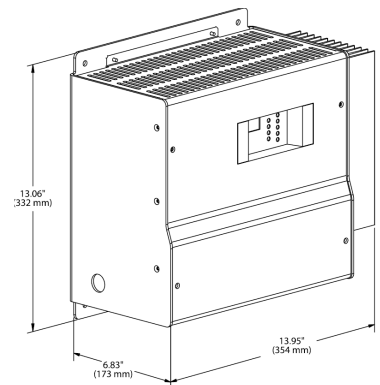
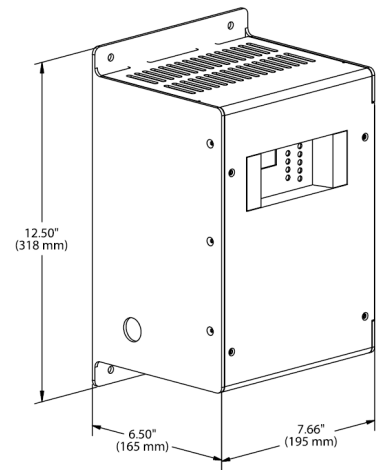
Specifications

AC Input

- ▶ Voltage: 110-120/208-240 VAC, +/-10%, single phase, field selectable
- ▶ Input current: 10A charger: 6.6/3.3 amps maximum | 20A charger: 12.6/6.3 amps maximum
- ▶ Frequency: 60 Hz +/-5% standard; 50/60 Hz +/-5% optional
- ▶ Input protection: 1-pole fuse, soft-start, transient suppression

Charger Output

- ▶ Nominal voltage ratings: 12/24 volt nominal
- ▶ Optional voltage rating: 12/24 volt, field selectable
- ▶ Battery settings: Six discrete battery voltage programs
 - Low or high S.G. Flooded
 - Low or high S.G. VRLA (sealed)
 - Nickel cadmium 9, 10, 18, 19 or 20 cells
- ▶ Regulation: +/-0.5% line and load regulation
- ▶ Current: 10 or 20 amps nominal
- ▶ Electronic current limit: 105% rated output typical – no engine cranking disconnect required
- ▶ Charge characteristic: Constant voltage, current limited, 4-rate automatic equalization
- ▶ Temperature compensation: Enable or disable anytime, remote sensor optional
- ▶ Output protection: Current limit, 1-pole fuse, transient suppression



Housing Dimensions

Amps	Width (in.)	Depth (in.)	Height (in.)	Weight (lbs.)
10	7.66	6.5	12.5	23
20	13.95	6.83	13.06	42

NRG Series Battery Chargers



User Interface, Indication and Alarms

- ▶ Digital Meter: Automatic meter alternately displays output volts, amps⁴
- ▶ Accuracy +/-2% volts, +/-5% amps
- ▶ Alarms LED and Form C contact(s) per table

Alarms Systems Functions

Alarm	Alarm Code "1" ¹	Alarm Code "C" NFPA 110
AC Good	LED	LED
Float Mode	LED	LED
Fast Charge	LED	LED
Temp Comp Active	LED	LED
AC Fail	LED ²	LED and Form C contact
Low Battery Volts		LED and Form C contact
High Battery Volts		LED and Form C contact
Charger Fail	LED ²	LED and Form C contact
Battery Fault	LED ²	LED and Form C contact



Alarms "1" available only on 10A charger

Form C contact provides summary alarm of these conditions. BBHH chargers include this alarm configuration. Contacts rated 2A @ 30VDC resistive

Battery fault alarm indicates these fault conditions: Battery disconnected - Battery polarity reversed - Mismatched charger and battery voltage - Open or high resistance charger to battery connection- Open battery cell or excessive internal resistance

Three-position jumper allows user to select from three display settings: alternating volts / amps (normal), constant volts, or constant amps

Controls

- ▶ AC Input Voltage Select: Field-selectable switch
- ▶ Optional 12/24-volt Output Select: Field-selectable two-position jumper
- ▶ Battery Program Select: Field-selectable six-position jumper
- ▶ Meter Display Select: Field-selectable three-position jumper
- ▶ Fast Charger Enable/Disable: Field-selectable two-position jumper
- ▶ Temp Compensation Enable: Standard. Can be disabled or re-enabled in the field
- ▶ Remote Temp Comp Enable: Connect optional remote sensor to temp comp port

Environmental

- ▶ Operating Temperature: -4°F - 140°F (-20°C - 60°C), meets full specification to 113°F (45°C)
- ▶ Over Temperature Protection: maintains safe power device temperature
- ▶ Humidity: 5% to 95%, non-condensing
- ▶ Vibration (10A unit): UL 991 Class B (2G sinusoidal)
- ▶ Transient Immunity: ANSI/IEEE C62.41, Cat. B, EN50082-2 heavy industrial, EN 61000-6-2
- ▶ Seismic Certification: IBC 2000, 2003, 2006 Maximum Sds of 2.28G

Construction

- ▶ Housing/configuration Material: Non-corroding aluminum. Configuration options:
 - Fully enclosed: cUL listed enclosure
 - Open frame: cUL recognized
- ▶ Dimensions: See drawings and dimensions for details
- ▶ Printed Circuit Card: Surface mount technology, conformal coated
- ▶ Cooling: Natural convection
- ▶ Protection Degree: Listed housing: NEMA-1 (IP20). Optional IP21 drip shield. Optional NEMA 3R
- ▶ Damage Prevention: Fully recessed display and controls
- ▶ Electrical connections: Compression terminal blocks

Agency Standards

- ▶ Safety:
 - cUL listed to UL 1236 (required for UL 2200 gensets)
 - CSA standard 22.2 no. 107.2-M89
 - CE: 50/60 Hz units DOC to EN 60335
- ▶ Agency Marking:
 - 60 Hz: cULus listed
 - 50/60 Hz: cULus listed plus CE marked
- ▶ EMC:
 - Emissions: FCC Part 15, Class B; EN 50081-2
 - Immunity: EN 61000-6-2
- ▶ NFPA standards: NFPA 70, NFPA 110. (NFPA 110 requires Alarms "C")
- ▶ Optional Agency Compliance: Units with Alarms "1" configuration available with additional compliance to UL category BBHH and NFPA 20