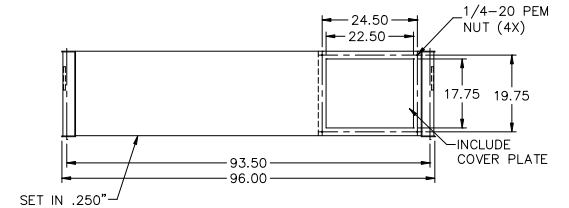
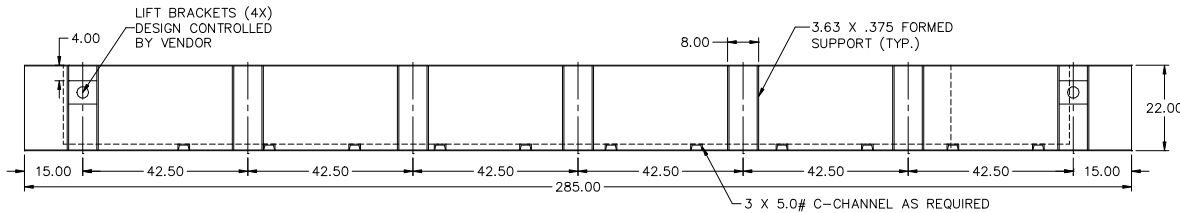
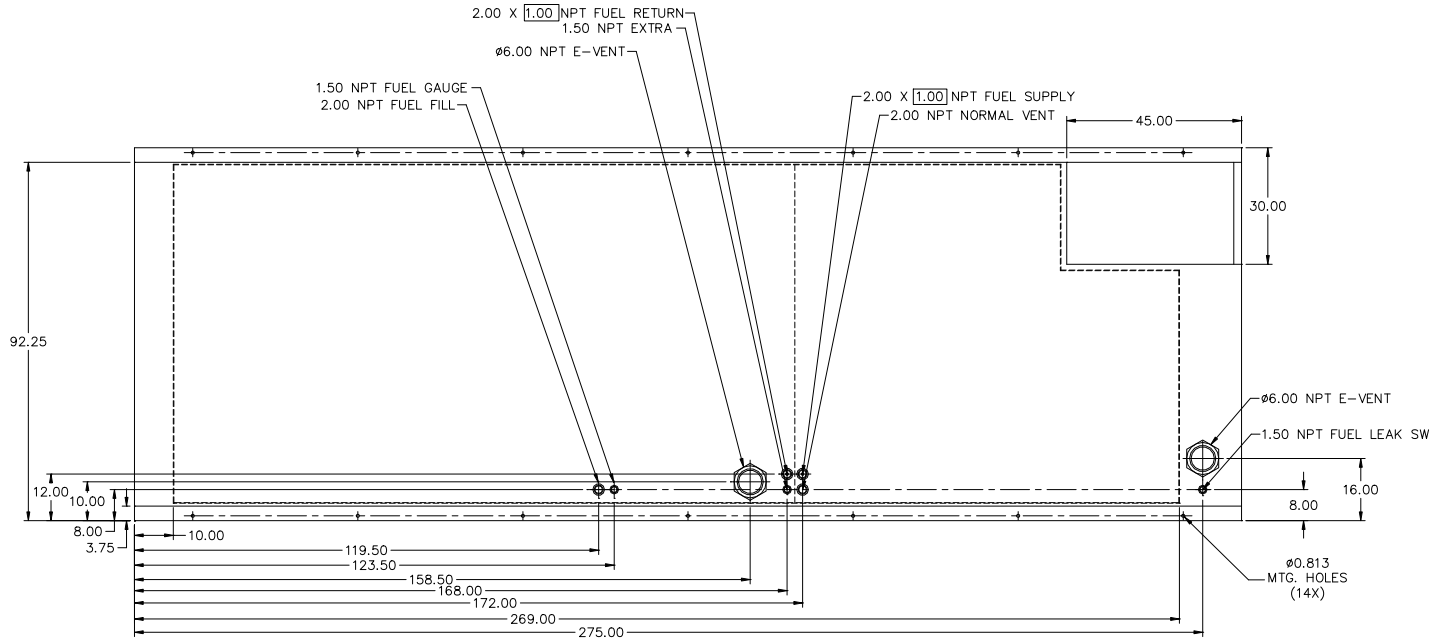


**24HR TANK  
MD800, MD 1000  
LV3**



- NOTES:
1. MATERIAL: 7GA. RUPTURE BASIN  
7GA. INNER TANK
  2. SECONDARY CONTAINMENT TANK
  3. FINISH PAINT GLOSS BLACK
  4. TANK TO INCLUDE
    - FUEL SUPPLY / RETURN DIP TUBES
    - LIFTING / TIE DOWN BRACKETS
  5. FUEL NPT SUPPLY/RETURN 2.00 X 1.00

APPROXIMATE WEIGHT: 6200 LBS

REVISIONS:

LEVEL:	DESCRIPTION:	DATE:	BY:
01	MOVE FITTINGS TO STANDARDIZE LOCATIONS, MATERIAL	07-15-16	KAP

**BLUE STAR**  
Power Systems Inc.

**TANK SB 1800GL DW UL W/STUB-UP**

P/N: 20234 285"L X 96"W X 22"H

DATE: 07-15-16 BY: KDH DRAWN TO SCALE