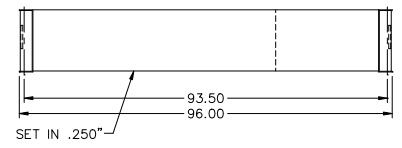
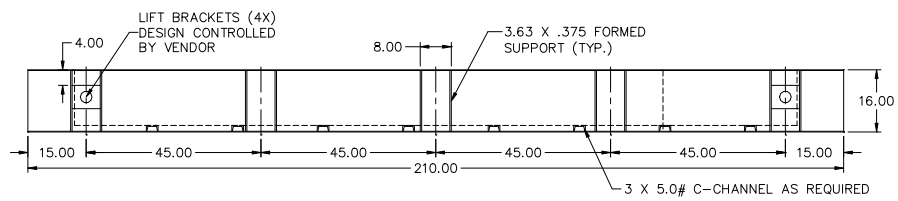
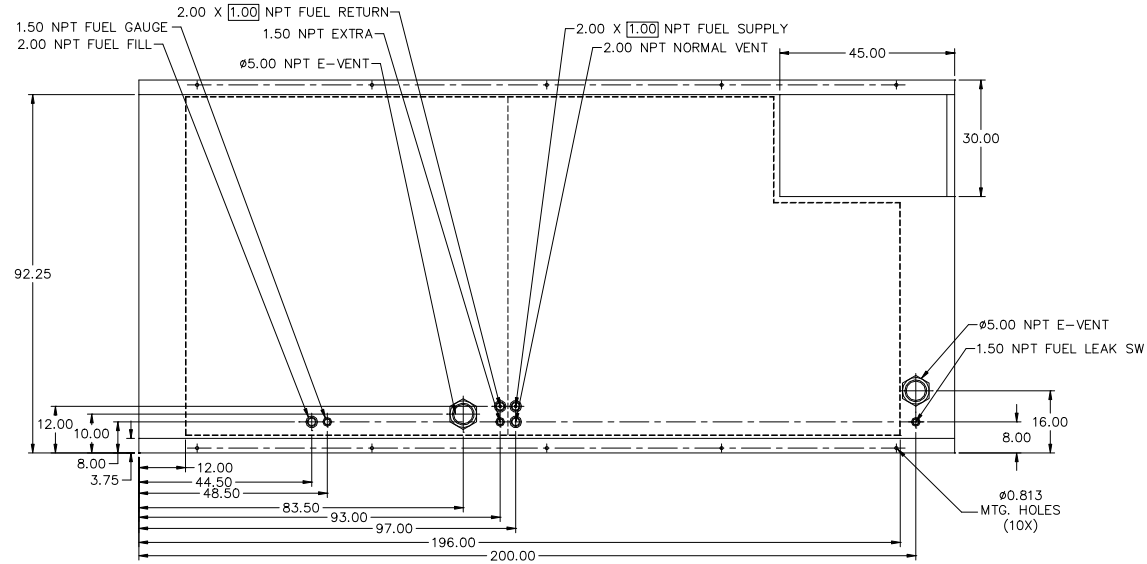


**12HR TANK
MD800, MD1000
LV0/LV1/LV2**



- NOTES:
1. MATERIAL: 7GA. RUPTURE BASIN
7GA. INNER TANK
 2. SECONDARY CONTAINMENT TANK
 3. FINISH PAINT GLOSS BLACK
 4. TANK TO INCLUDE
 - FUEL SUPPLY / RETURN DIP TUBES
 - LIFTING / TIE DOWN BRACKETS
 5. FUEL NPT SUPPLY/RETURN 2.00 X 1.00

APPROXIMATE WEIGHT: 4200 LBS

| REVISIONS: | | | |
|------------|--------------------------------------------------|----------|-----|
| LEVEL: | DESCRIPTION: | DATE: | BY: |
| 01 | MOVE FITTINGS TO STANDARDIZE LOCATIONS, MATERIAL | 07-15-16 | KAP |

BLUE STAR
Power Systems Inc.

TANK SB 900GL DW UL W/STUB-UP

| | |
|----------------|------------------------|
| P/N: 20922 | 210"L X 96"W X 16"H |
| DATE: 07-15-16 | BY: KDH DRAWN TO SCALE |