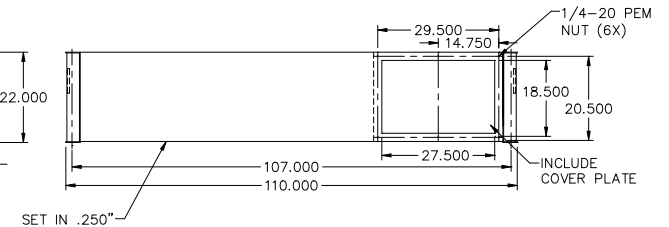
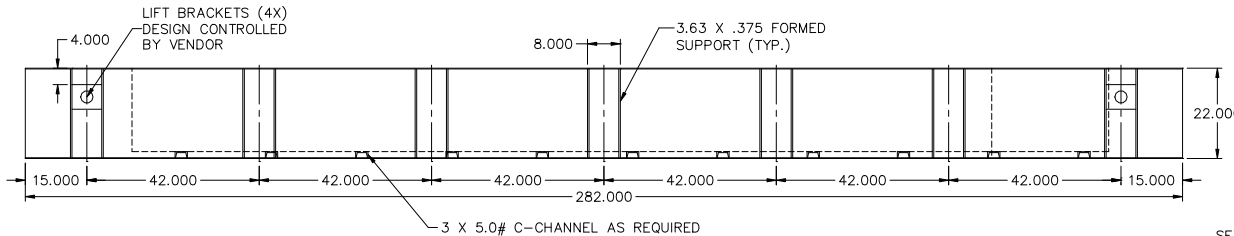
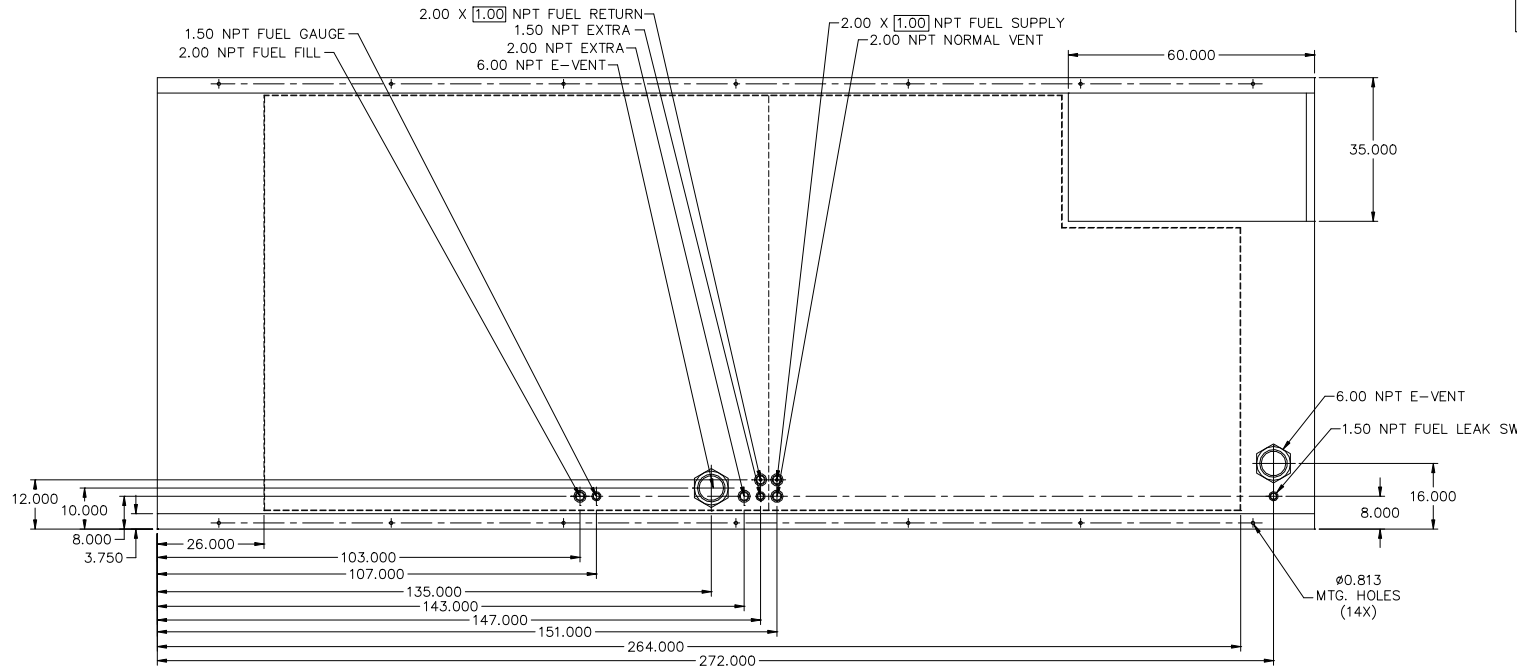


DRAWING: 3-0442

# 12HR TANK MD1600, MD2000 LV0/LV1/LV2



- NOTES:
1. MATERIAL: 7GA. RUPTURE BASIN  
7GA. INNER TANK
  2. SECONDARY CONTAINMENT TANK
  3. FINISH PAINT GLOSS BLACK
  4. TANK TO INCLUDE
    - FUEL SUPPLY / RETURN DIP TUBES
    - LIFTING / TIE DOWN BRACKETS
  5. FUEL NPT SUPPLY/RETURN 2.00 X 1.00

APPROXIMATE WEIGHT: 6800 LBS

REVISIONS:

LEVEL:	DESCRIPTION:	DATE:	BY:
NA	NA	NA	NA

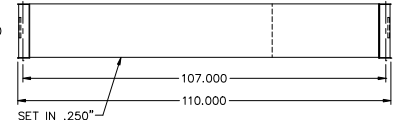
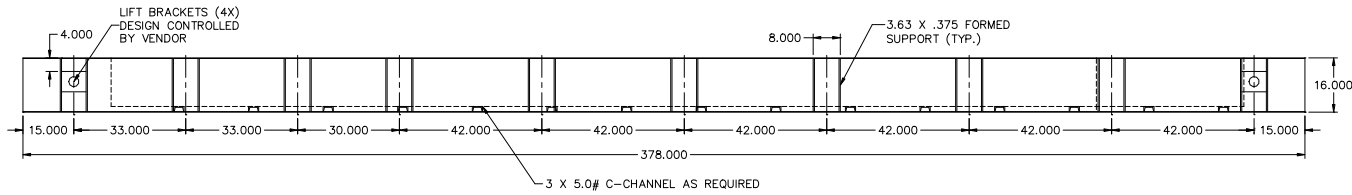
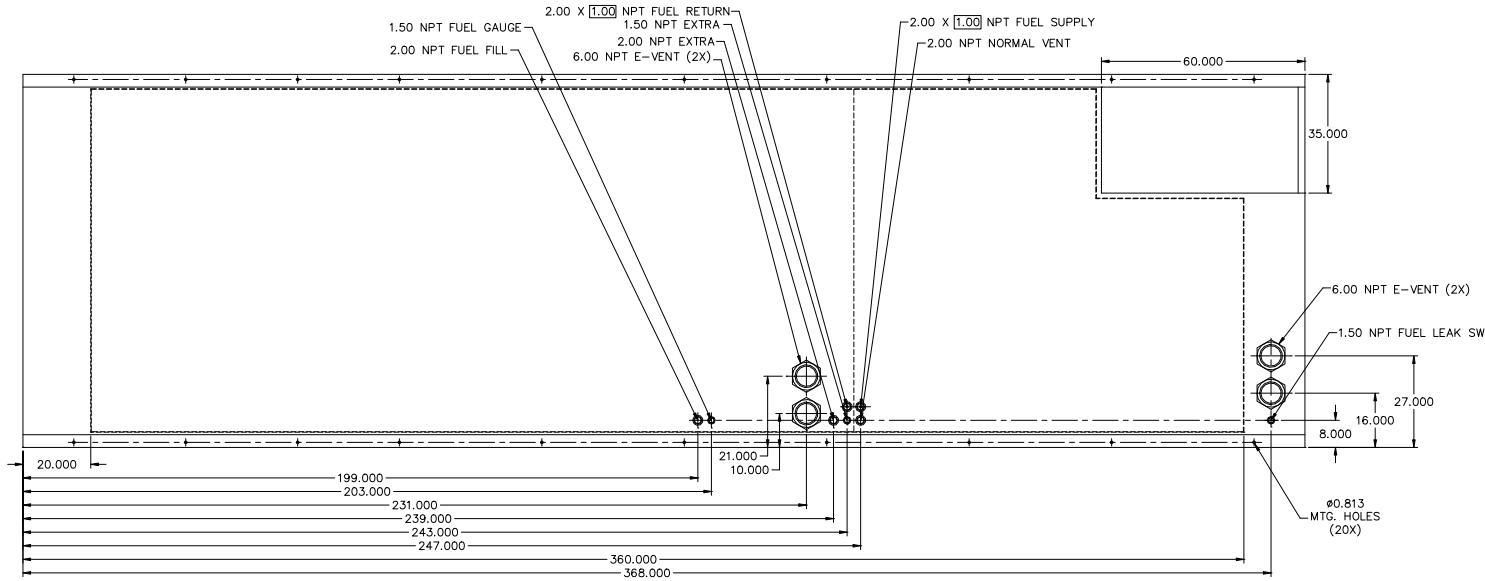
**BLUE STAR**  
Power Systems Inc.

TANK SB 1925GL DW UL W/STUB-UP

P/N: NA 282"L X 110"W X 22"H

DATE: 08-03-17 BY: KDH DRAWN TO SCALE

# 12HR TANK MD1600, MD2000 LV3



- NOTES:
1. MATERIAL: 7GA. RUPTURE BASIN  
7GA. INNER TANK
  2. SECONDARY CONTAINMENT TANK
  3. FINISH PAINT GLOSS BLACK
  4. TANK TO INCLUDE
    - FUEL SUPPLY / RETURN DIP TUBES
    - LIFTING / TIE DOWN BRACKETS
  5. FUEL NPT SUPPLY/RETURN 2.00 X 1.00

APPROXIMATE WEIGHT: 8200 LBS

REVISIONS:			
LEVEL:	DESCRIPTION:	DATE:	BY:
NA	NA	NA	NA

## **BLUE STAR**

**Power Systems Inc.**

<b>TANK SB 1925GL DW UL W/STUB-UP</b>	
P/N: NA	378"L X 110"W X 16"H
DATE: 08-03-17	BY: KAP      DRAWN TO SCALE