

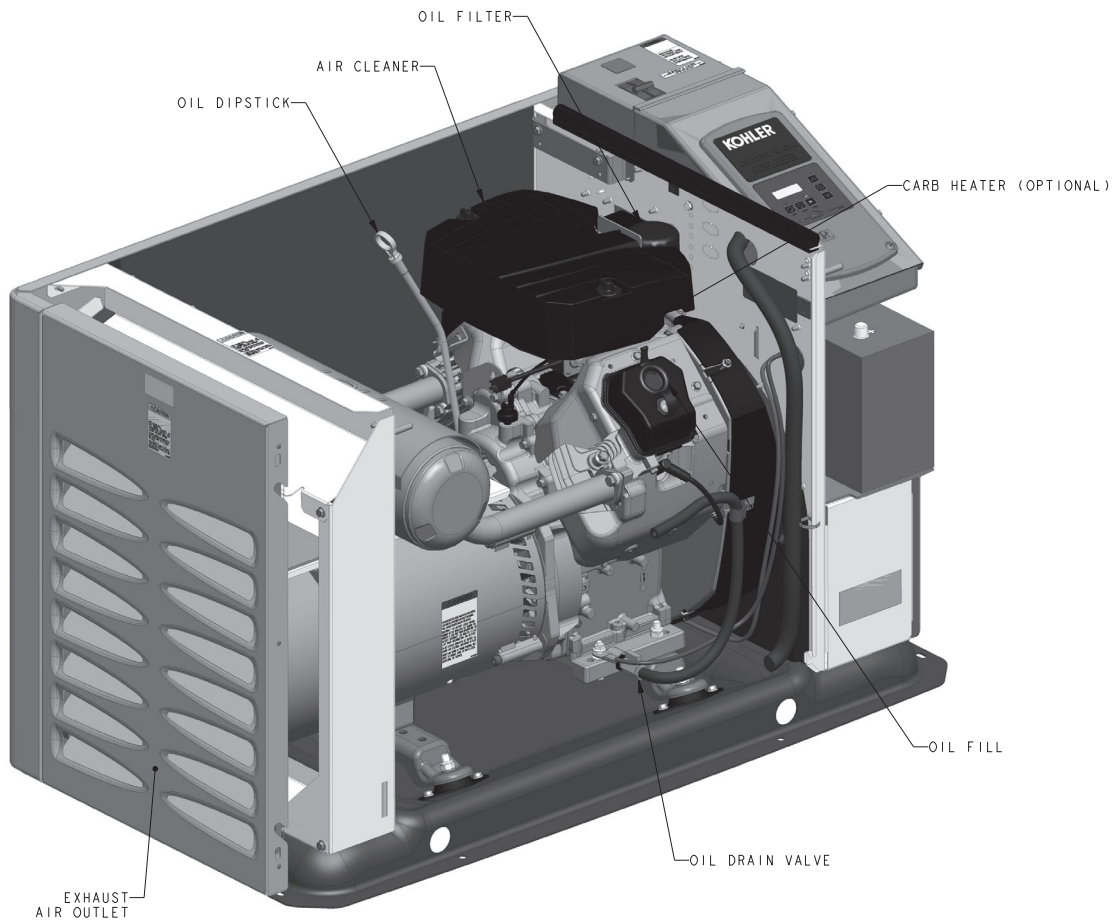
NOTE: DIMENSIONS IN [] ARE INCH EQUIVALENTS.

REV	DATE	ON COMPOSITE DWGS, SEE PART NO. FOR REVISION LEVEL	BY	DO NOT SCALE. REFERENCE THE MODEL FOR ALL UNSPECIFIED DIMENSIONS
-	9-23-17	NEW DRAWING [CT179368]	ADP	UNLESS OTHERWISE SPECIFIED: ALL DIMENSIONS IN MILLIMETERS GENERAL TOLERANCES: N/A
A	12-15-17	SEE SHEET 3 OF 5 [CT182535]	KEM	KOHLER KOHLER VERBODEN 8964 THIS DRAWING IN DESIGN AND DETAIL IS KOHLER CO. PROPERTY AND MUST NOT BE USED EXCEPT IN CONNECTION WITH KOHLER CO. WORK. ALL RIGHTS OF DESIGN OR INVENTION ARE RESERVED.
B	5-24-18	SEE SHEET 4 & 5 [CT187735]	ADP	
C	19JUN2019	SEE SHEET 4 [PR08238]	AWK	
APPROVALS		DATE	TITLE	
DRAWN ADP		9-23-17	DIMENSION PRINT, 14/20KW RCA	
CHECKED VPP		9-23-17	SCALE 0.16	CAR NO.
APPROVED BJF		9-23-17	SHEET NO.	SHEET 1 of 5

14/20RCA

ADV-8928

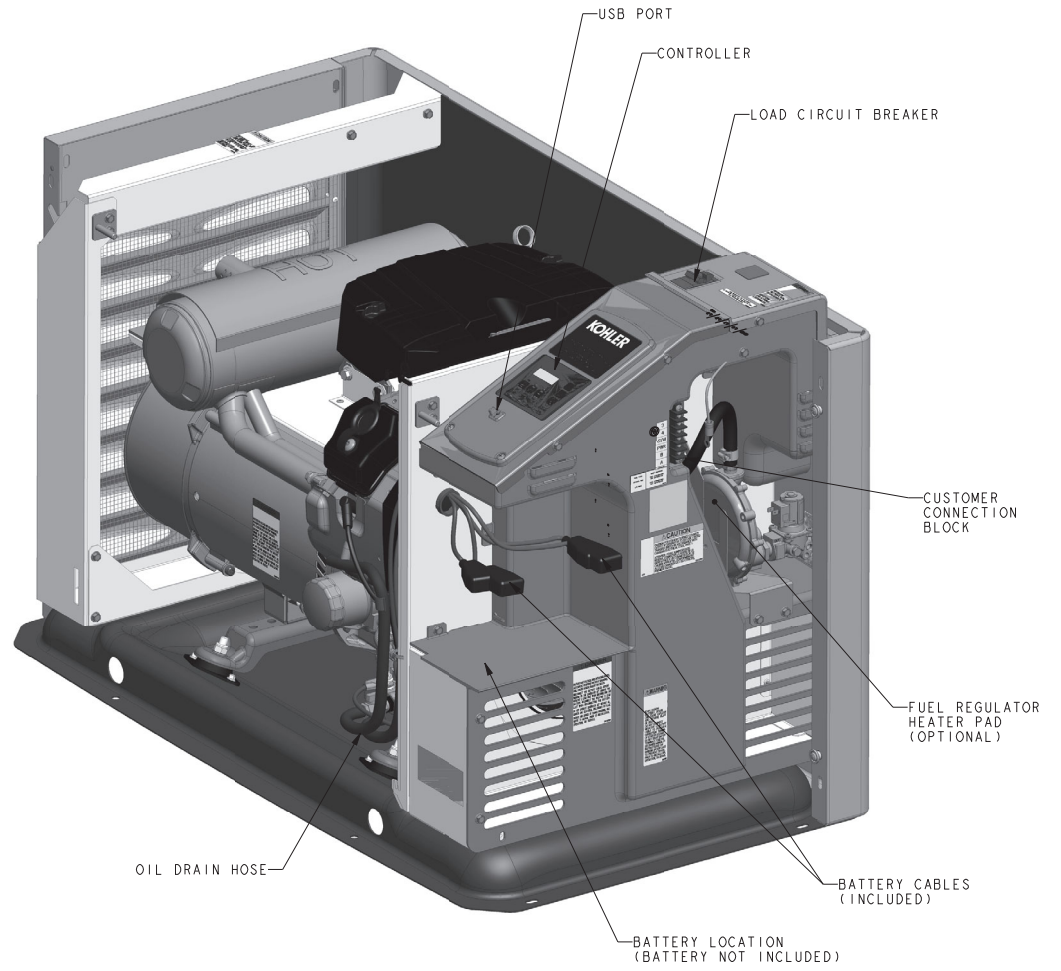
D



14/20RCA

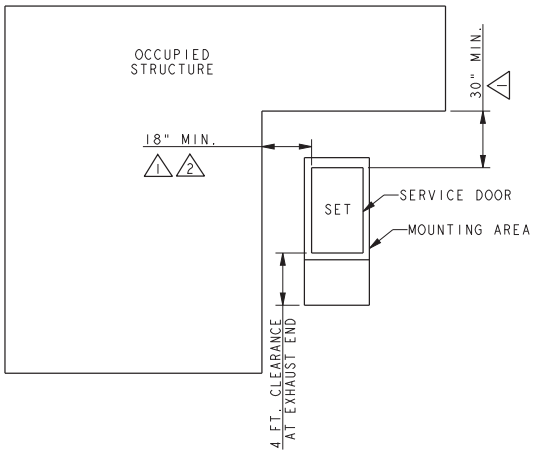
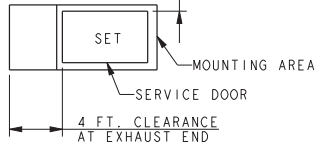
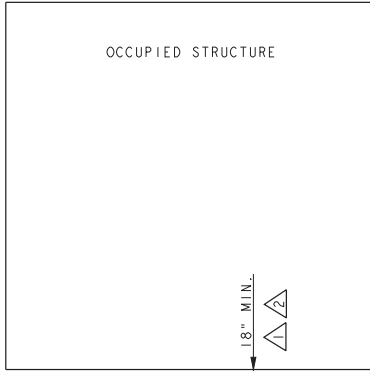
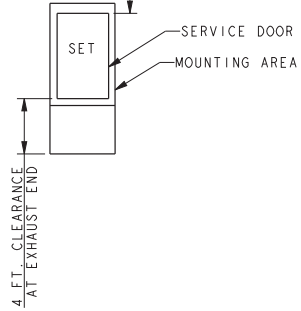
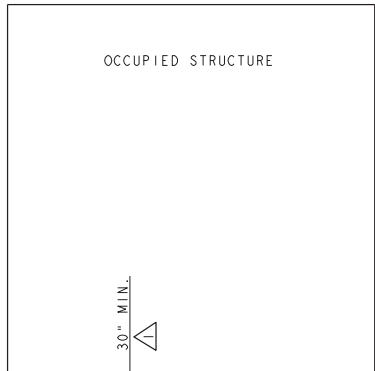
REV	DATE	ON COMPOSITE DWGS. SEE PART NO. FOR REVISION LEVEL	BY	DO NOT SCALE. REFERENCE THE MODEL FOR ALL UNSPECIFIED DIMENSIONS																																				
-	9-23-17	NEW DRAWING [CT179368]	ADP	<small>UNLESS OTHERWISE SPECIFIED: ALL DIMENSIONS IN MILLIMETERS GENERAL TOLERANCES: N/A</small> KOHLER <small>KOHLER, WINDBOHN 83644</small> THIS DRAWING IN DESIGN AND DETAIL IS KOHLER CO. PROPERTY AND MUST NOT BE USED EXCEPT IN CONNECTION WITH KOHLER CO. WORK. ALL RIGHTS OF DESIGN OR INVENTION ARE RESERVED.																																				
A	12-15-17	SEE SHEET 3 OF 5 [CT182535]	KEM																																					
B	5-24-18	SEE SHEET 4 & 5 [CT187735]	ADP																																					
C	19JUN2019	SEE SHEET 4 [PR08238]	AWK																																					
<table border="1"> <thead> <tr> <th>APPROVALS</th> <th>DATE</th> </tr> </thead> <tbody> <tr> <td> </td> <td> </td> </tr> <tr> <td> </td> <td> </td> </tr> <tr> <td> </td> <td> </td> </tr> </tbody> </table>				APPROVALS	DATE							<small>THIRD ANGLE PROJECTION</small> 																												
APPROVALS	DATE																																							
<table border="1"> <thead> <tr> <th>DRAWN</th> <th>DATE</th> <th>SCALE</th> <th>CAD NO.</th> <th>SHEET</th> <th>OF</th> </tr> </thead> <tbody> <tr> <td>ADP</td> <td>9-23-17</td> <td>0.16</td> <td> </td> <td>2</td> <td>5</td> </tr> <tr> <th>CHECKED</th> <th>DATE</th> <th colspan="4"> </th> </tr> <tr> <td>VPP</td> <td>9-23-17</td> <td colspan="4"> </td> </tr> <tr> <th>APPROVED</th> <th>DATE</th> <th colspan="4"> </th> </tr> <tr> <td>BJF</td> <td>9-23-17</td> <td colspan="4"> </td> </tr> </tbody> </table>				DRAWN	DATE	SCALE	CAD NO.	SHEET	OF	ADP	9-23-17	0.16		2	5	CHECKED	DATE					VPP	9-23-17					APPROVED	DATE					BJF	9-23-17					TITLE DIMENSION PRINT, 14/20KW RCA ADV-8928
DRAWN	DATE	SCALE	CAD NO.	SHEET	OF																																			
ADP	9-23-17	0.16		2	5																																			
CHECKED	DATE																																							
VPP	9-23-17																																							
APPROVED	DATE																																							
BJF	9-23-17																																							

D



REV	DATE	ON COMPOSITE DWGS, SEE PART NO. FOR REVISION LEVEL	BY	DO NOT SCALE. REFERENCE THE MODEL FOR ALL UNSPECIFIED DIMENSIONS
	9-23-17	NEW DRAWING (CT179368)	ADP	KOHLER KOHLER VERBODEN 83944 THIS DRAWING IN DESIGN AND DETAIL IS KOHLER CO. PROPERTY AND MUST NOT BE USED EXCEPT IN CONNECTION WITH KOHLER CO. WORK. ALL RIGHTS OF DESIGN OR INVENTION ARE RESERVED.
A	12-15-17	UPDATED FUEL REGULATOR GEOMETRY (CT182353)	KEM	
B	5-24-18	SEE SHEET 4 & 5 (CT187735)	ADP	
C	19JUN2019	SEE SHEET 4 (PR08238)	AWK	
			TITLE: DIMENSION PRINT, 14/20KW RCA	
			SCALE: 0.30 CAR NO. SHEET 5 of 5	
			ADV-8928 D	

14/20RCA



NOTE:

⚠ THE RECOMMENDED DISTANCE FROM A STRUCTURE IS DEPENDENT ON STATE AND LOCAL CODES. PRODUCT HAS BEEN DEMONSTRATED IN ACCORDANCE WITH NFPA 37 SECTION 4.1.4.2 BY A THIRD PARTY TEST FACILITY TO THE DIMENSIONS SHOWN.

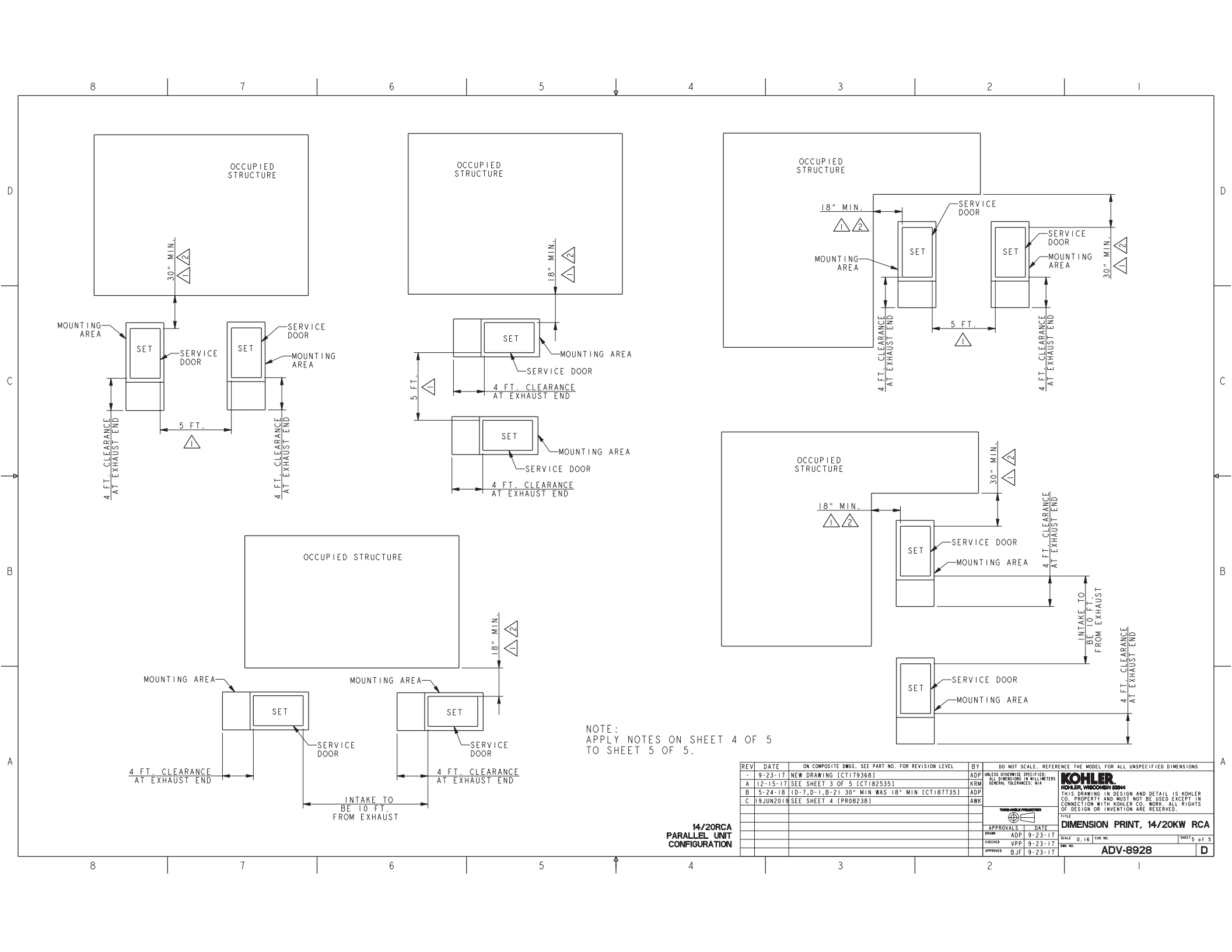
⚠ FOR INSTALLATIONS NEAR NON-COMBUSTIBLE OR 1-HOUR FIRE RATED STRUCTURE, A MINIMUM DISTANCE OF 18" IS REQUIRED TO ENSURE PROPER GENERATOR COOLING.

ACCEPTABLE

- 1) EXHAUST IS AIMED AWAY OR PARALLEL TO STRUCTURE.
- 2) EXHAUST IS NOT DIRECTED AT PLAY AREAS, PATIOS OR OTHER AREAS WHERE PEOPLE CONGREGATE.
- 3) THE NEAREST WINDOW, VENT, DOOR OR SIMILAR STRUCTURE OPENING IS AT LEAST 5 FEET FROM THE EXHAUST END OF THE SET.
- 4) SET HAS PROPER OFFSET FROM STRUCTURE.
- 5) WINDOWS & DOORS ON ADJACENT WALLS ARE CLOSED.
- 6) FURNACE AND OTHER SIMILAR INTAKES ARE AT LEAST 10 FEET FROM EXHAUST END OF SET.
- 7) WEED BARRIER AND 3 INCH THICK GRAVEL BASE OR CONCRETE PAD LOCATED TO PREVENT GRASS & WEEDS FROM GROWING TOO CLOSE TO THE SET.
- 8) NO PLANTS, SHRUBS OR OTHER COMBUSTIBLES ALLOWED IN CLEARANCE AREA. (MINIMUM 4 FT. FROM EXHAUST END).
- 9) REFER TO OWNERS MANUAL FOR OTHER INSTALLATION CONSTRAINTS.
- 10) NO PLANTS, SHRUBS, OR OTHER COMBUSTIBLES ALLOWED WITHIN 30" OF AIR INTAKE.

**14/20RCA
SINGLE UNIT
CONFIGURATION**

REV	DATE	ON COMPOSITE DWGS. SEE PART NO. FOR REVISION LEVEL	BY	DO NOT SCALE. REFERENCE THE MODEL FOR ALL UNSPECIFIED DIMENSIONS								
-	9-23-17	NEW DRAWING [CT179368]	ADP	UNLESS OTHERWISE SPECIFIED: ALL DIMENSIONS IN MILLIMETERS GENERAL TOLERANCES: N/A								
A	12-15-17	SEE SHEET 3 OF 5 [CT182535]	KEM	KOHLER KOHLER VIKORCHIN 8364 THIS DRAWING IN DESIGN AND DETAIL IS KOHLER CO. PROPERTY AND MUST NOT BE USED EXCEPT IN CONNECTION WITH KOHLER CO. WORK. ALL RIGHTS OF DESIGN OR INVENTION ARE RESERVED.								
B	5-24-18	{(A-5, C-7) 30" MIN WAS 18" MIN; (C-3) NOTE UPDATED [CT187735]}	ADP									
C	19 JUN 2019	{(B-3) 30" WAS 18"; (C-7 & B-5) REMOVED FROM 30" MIN. DIMENSIONS [PRO8238]}	AWK	THIRD-ANGLE PROJECTION								
			<table border="1"> <thead> <tr> <th>APPROVALS</th> <th>DATE</th> </tr> </thead> <tbody> <tr> <td>DRAWN ADP</td> <td>9-23-17</td> </tr> <tr> <td>CHECKED VPP</td> <td>9-23-17</td> </tr> <tr> <td>APPROVED BJF</td> <td>9-23-17</td> </tr> </tbody> </table>		APPROVALS	DATE	DRAWN ADP	9-23-17	CHECKED VPP	9-23-17	APPROVED BJF	9-23-17
APPROVALS	DATE											
DRAWN ADP	9-23-17											
CHECKED VPP	9-23-17											
APPROVED BJF	9-23-17											
			<table border="1"> <thead> <tr> <th>TITLE</th> <th>SCALE</th> <th>SHEET #</th> <th>OF #</th> </tr> </thead> <tbody> <tr> <td>DIMENSION PRINT, 14/20KW RCA</td> <td>0.16</td> <td>4</td> <td>5</td> </tr> </tbody> </table>		TITLE	SCALE	SHEET #	OF #	DIMENSION PRINT, 14/20KW RCA	0.16	4	5
TITLE	SCALE	SHEET #	OF #									
DIMENSION PRINT, 14/20KW RCA	0.16	4	5									
			<table border="1"> <thead> <tr> <th>SCALE</th> <th>CAR NO.</th> <th>SHEET #</th> <th>OF #</th> </tr> </thead> <tbody> <tr> <td>0.16</td> <td></td> <td>4</td> <td>5</td> </tr> </tbody> </table>		SCALE	CAR NO.	SHEET #	OF #	0.16		4	5
SCALE	CAR NO.	SHEET #	OF #									
0.16		4	5									
			<table border="1"> <thead> <tr> <th>TRF NO.</th> <th>ADV-8928</th> <th>D</th> </tr> </thead> <tbody> <tr> <td></td> <td></td> <td></td> </tr> </tbody> </table>		TRF NO.	ADV-8928	D					
TRF NO.	ADV-8928	D										



NOTE:
APPLY NOTES ON SHEET 4 OF 5
TO SHEET 5 OF 5.

14/20RCA
PARALLEL UNIT
CONFIGURATION

REV	DATE	ON COMPOSITE DWGS. SEE PART NO. FOR REVISION LEVEL	BY	DO NOT SCALE. REFERENCE THE MODEL FOR ALL UNSPECIFIED DIMENSIONS
-	9-23-17	NEW DRAWING (CT179368)	ADP	UNLESS OTHERWISE SPECIFIED, ALL DIMENSIONS IN MILLIMETERS
A	12-15-17	SEE SHEET 3 OF 5 (CT182535)	KEM	GENERAL TOLERANCES: N/A
B	5-24-18	(D-7, D-1, B-2) 30" MIN WAS 18" MIN (CT187735)	ADP	KOHLER KOHLER VENTROHM 8944 THIS DRAWING IN DESIGN AND DETAIL IS KOHLER CO. PROPERTY AND MUST NOT BE USED EXCEPT IN CONNECTION WITH KOHLER CO. WORK. ALL RIGHTS OF DESIGN OR INVENTION ARE RESERVED.
C	19JUN2019	SEE SHEET 4 (PR08238)	AWK	
APPROVALS DATE DRAWER ADP 9-23-17 CHECKER VPP 9-23-17 APPROVED BJF 9-23-17				TITLE DIMENSION PRINT, 14/20KW RCA SCALE 0.16 CAR NO. SHEET NO. ADV-8928 SHEET 5 of 5