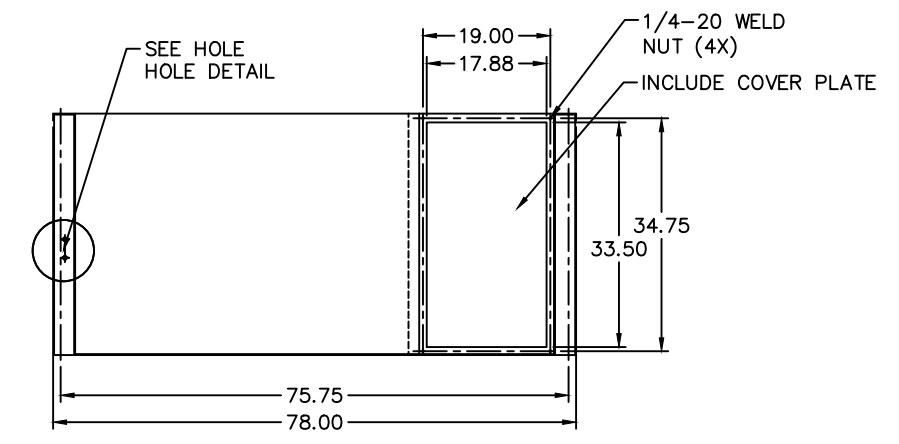
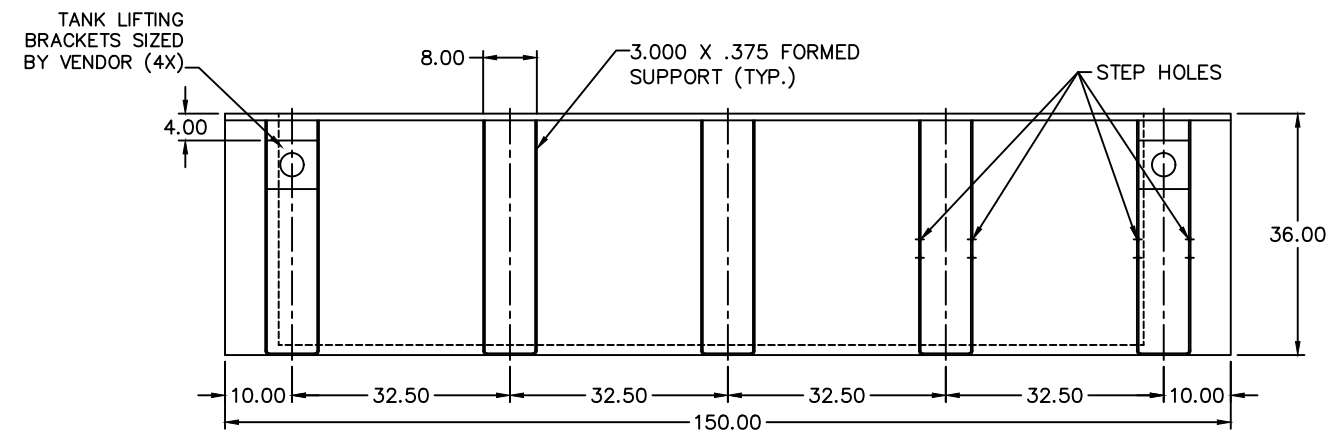
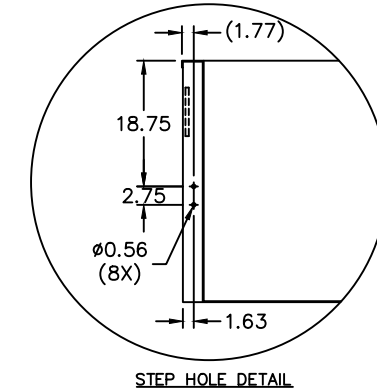
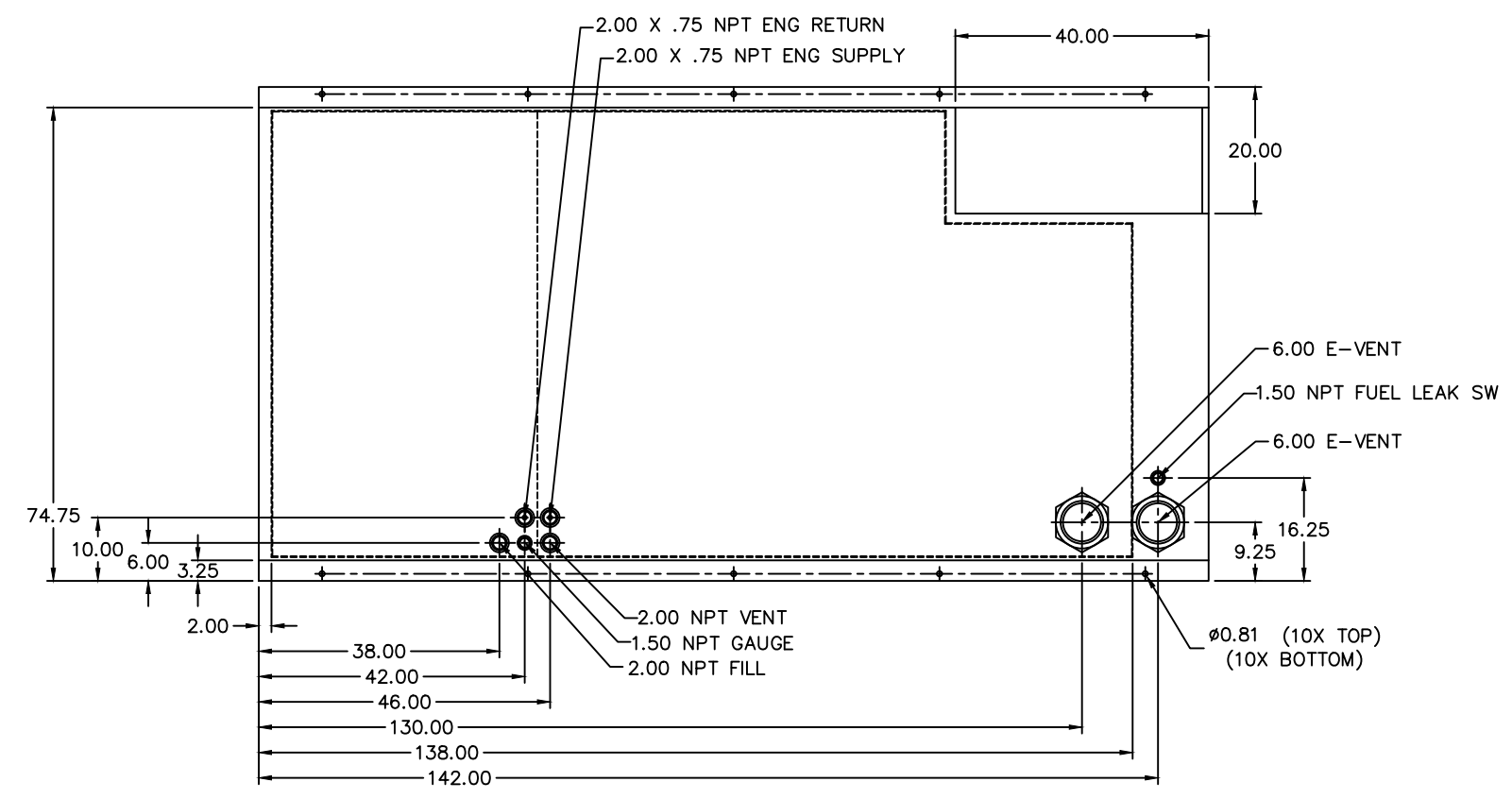


24HR TANK:
PD750-01
LV0, LV1, LV2, LV3



APPROXIMATE WEIGHT: 4200 LBS

- NOTES:
1. MATERIAL: 7GA. RUPTURE BASIN
10GA. INNER TANK
2. SECONDARY CONTAINMENT TANK
3. FINISH PAINT BLACK HAMMERED
4. TANK TO INCLUDE
- FUEL SUPPLY / RETURN DIP TUBES
- LIFTING / TIE DOWN BRACKETS

REVISIONS:			
LEVEL:	DESCRIPTION:	DATE:	BY:
01	CONVERT TO SOLIDWORKS (3D)	03-02-21	CRC



Power Systems Inc.
TANK SB 1300GL DW UL/ULC W/ STUB UP

P/N: 23585		
DATE: 02-19-21	BY: MGH	SCALE: NA