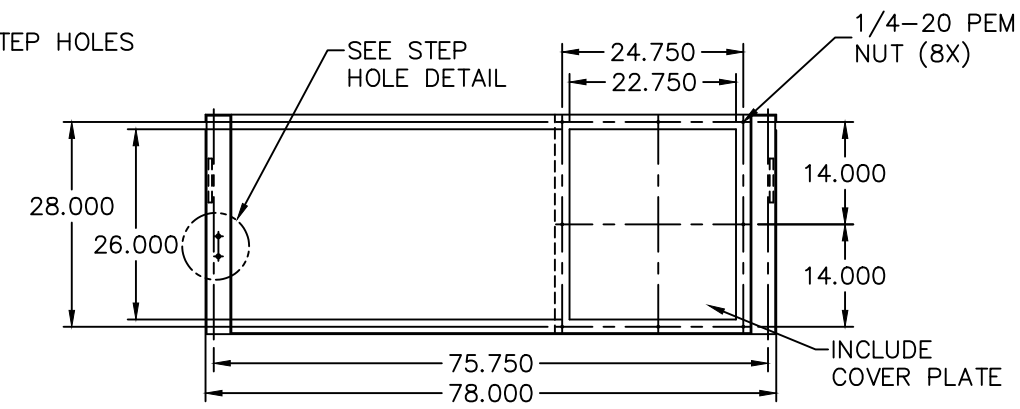
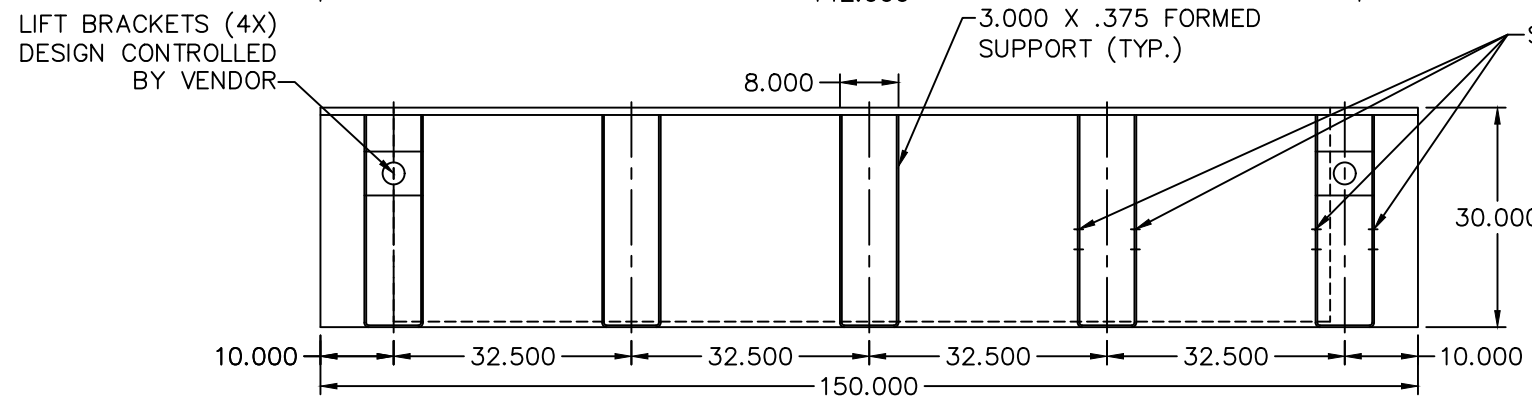
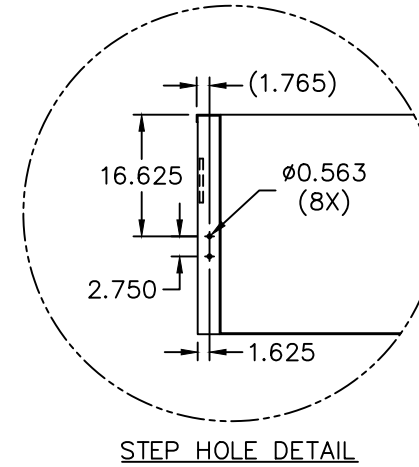
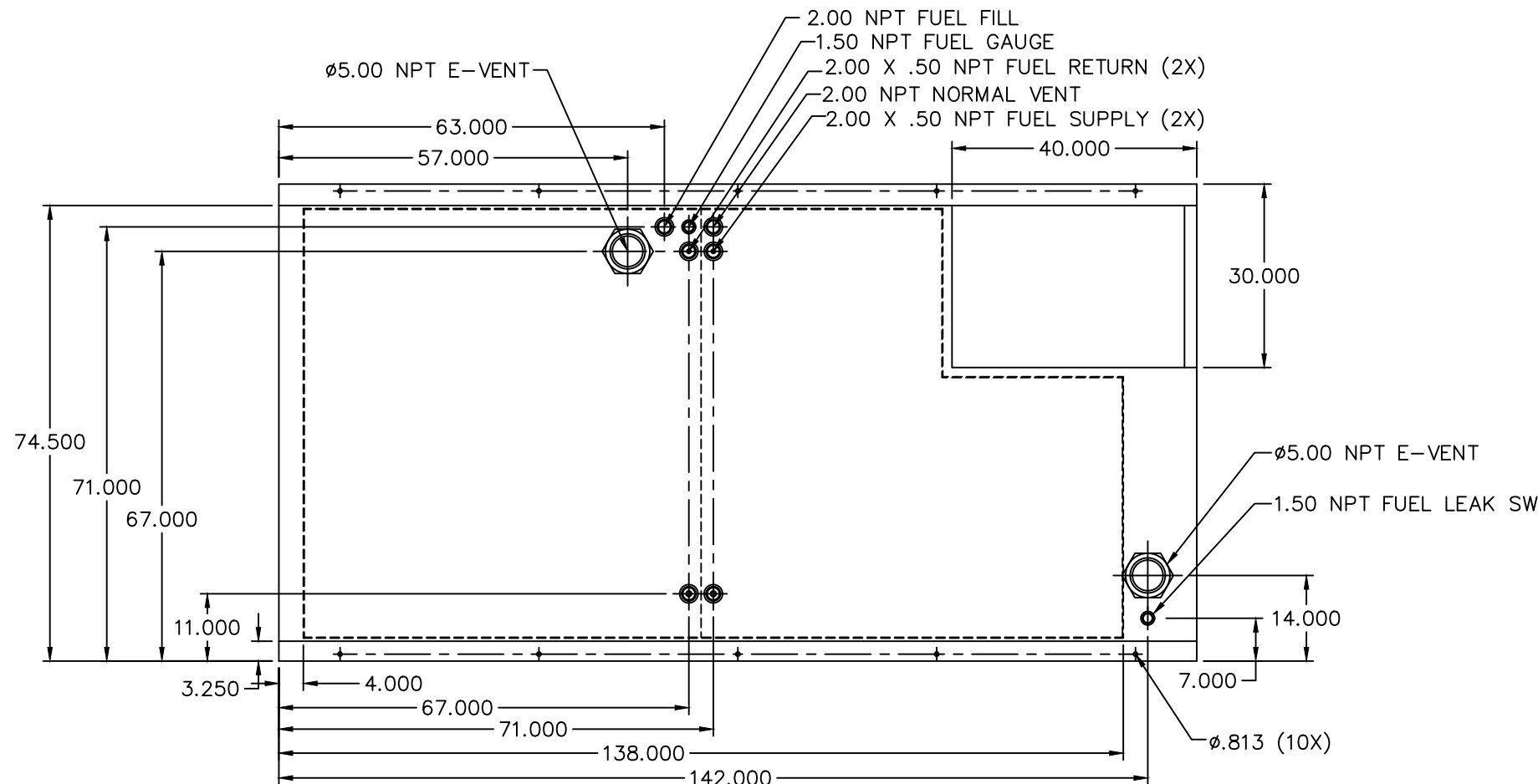


24HR TANK
TD550-01, TD600-01
VD600-01
PD550, PD600
LV0, LV1, LV2, LV3



APPROXIMATE WEIGHT: 3000LBS

- NOTES:
1. MATERIAL: PER VENDOR'S UL/ULC REQUIRMENTS
 2. SECONDARY CONTAINMENT TANK
 3. FINISH PAINT GLOSS BLACK
 4. TANK TO INCLUDE
 - FUEL SUPPLY / RETURN DIP TUBES
 - LIFTING / TIE DOWN BRACKETS

REVISIONS:

LEVEL:	DESCRIPTION:	DATE:	BY:
05	CONVERT TO SOLIDWOKRS (3D)	03-30-20	CRC
04	ADDED ULC TO DESCRIPTION	01-16-20	MGH
03	MOVE MOUNTING HOLES, EXPAND STUB-UP	05-24-19	ATB
02	CHANGE OUTSIDE MATERIAL TO 7GA.	10-10-17	KAP
01	ADJUSTED FOR TD550, TD600 & VD600	12-30-15	KDH

BLUE STAR
Power Systems Inc.

TANK SB 1000GL DW UL/ULC W/STUB-UP

P/N: 17949 | 150"L X 78"W X 30"H

DATE: 11-09-15 | BY: TDH | DRAWN TO SCALE