

MOTEUR ENGINE	ALTERNATEUR ALTERNATOR	CHASSIS AVEC RESERVOIR GASOIL FRAME WITH FUEL TANK			
		MASSE / WEIGHT (kg / lbs) +/- 5%		COG (mm / inch)	
		A vide / Dry	OdM / Wet	CG Horizontal	CG Vertical
VOLVO TAD1641GE	KH01983T	3930 / 8654	4660 / 10273	1990 / 78	680 / 27
	KH02215T	4040 / 8914	4780 / 10533	2020 / 79	680 / 27
	KH02713T	4180 / 9219	4920 / 10838	2040 / 80	690 / 27
VOLVO TAD1642GE	KH02215T	4040 / 8914	4780 / 10533	2020 / 79	680 / 27
	KH02713T	4180 / 9219	4920 / 10838	2040 / 80	690 / 27
	KH02954T	4260 / 9395	5000 / 11014	2060 / 81	690 / 27

MOTEUR ENGINE	ALTERNATEUR ALTERNATOR	CHASSIS SANS RESERVOIR GASOIL FRAME WITHOUT FUEL TANK			
		MASSE / WEIGHT (kg / lbs) +/- 5%		COG (mm / inch)	
		A vide / Dry	OdM / Wet	CG Horizontal	CG Vertical
VOLVO TAD1641GE	KH01983T	3680 / 8123	3790 / 8364	1910 / 75	810 / 32
	KH02215T	3800 / 8383	3910 / 8624	1950 / 77	810 / 32
	KH02713T	3940 / 8688	4050 / 8929	1980 / 78	800 / 32
VOLVO TAD1642GE	KH02215T	3800 / 8383	3910 / 8624	1950 / 77	810 / 32
	KH02713T	3940 / 8688	4050 / 8929	1980 / 78	800 / 32
	KH02954T	4020 / 8865	4130 / 9105	2000 / 79	800 / 32

- Voir folios suivants pour informations complémentaires / See following sheets for additional informations.

- Les noms des vues correspondent aux différentes faces du groupe électrogène / The names of the views correspond to the different sides of the generating set.

CET ASSEMBLAGE OU PIECE DOIT ETRE CONFORME A LA SPECIFICATION PEP-RML-001
THIS ASSEMBLY OR PART MUST COMPLY WITH SPECIFICATION PEP-RML-001

UNLESS OTHERWISE SPECIFIED -
1) DIMENSIONS ARE IN MILLIMETERS
2) TOLERANCES ARE: NF S01320-A1-E

DO NOT SCALE. REFERENCE THE MODEL FOR ALL UNSPECIFIED DIMENSIONS

APPROVALS

DATE

SCALE: 1:10

REV: 1 of 3

SIZE: A0

TITLE: DIMENSION PRINT, TAD164.GE

CAD NO: 30001548501

DWG NO: 30001548501

270 rue de Kerenem - 29490 Guvannes
CS 40447 - 29801 Brest Cedex 9 - France

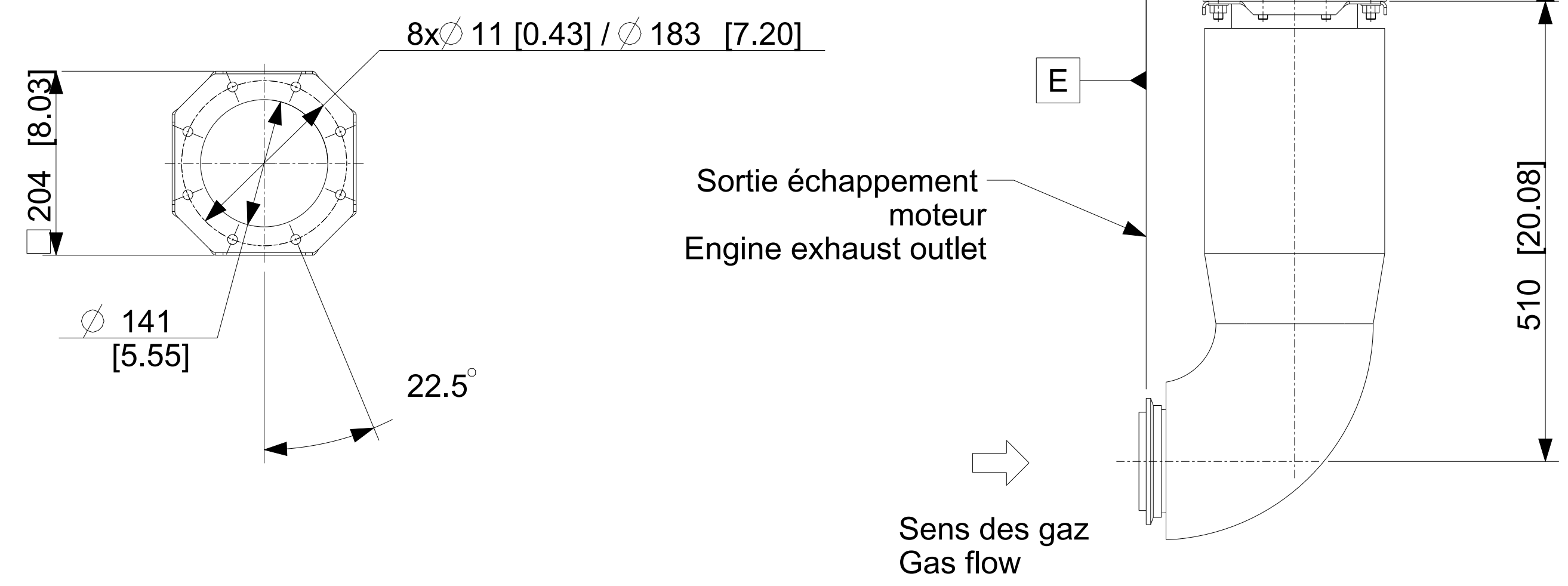
THIS DRAWING IS UNDER PROPERTY OF THE COMPANY.
IT CANNOT BE PRINTED, USED OR COMMUNICATED WITHOUT ITS AUTHORIZATION.

REV. DATE ON COMPOSITE DWGS. SEE PART NO. FOR REVISION LEVEL BY AC

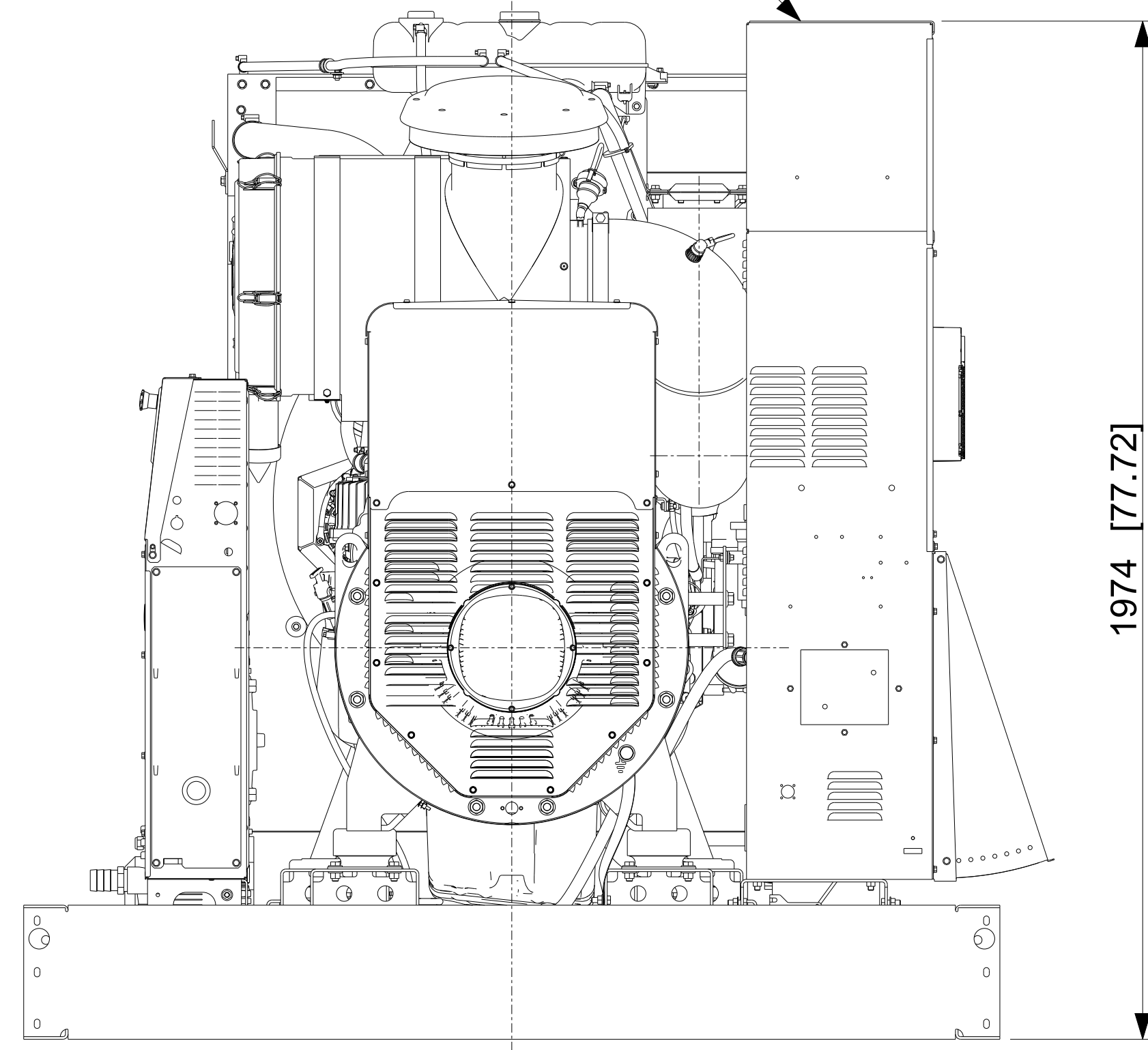
08.09.22 NEW DRAWING

REP. 02 :
 SORTIE ECHAPPEMENT AVEC COMPENSATEUR ET
 FOURNIE AVEC JOINT, CONTRE-BRIDE ET VISSERIE
 EXHAUST PIPE WITH FLEXIBLE AND DELIVERY WITH
 GASKET, COUNTER-FLANGE AND HARDWARE
 1:5

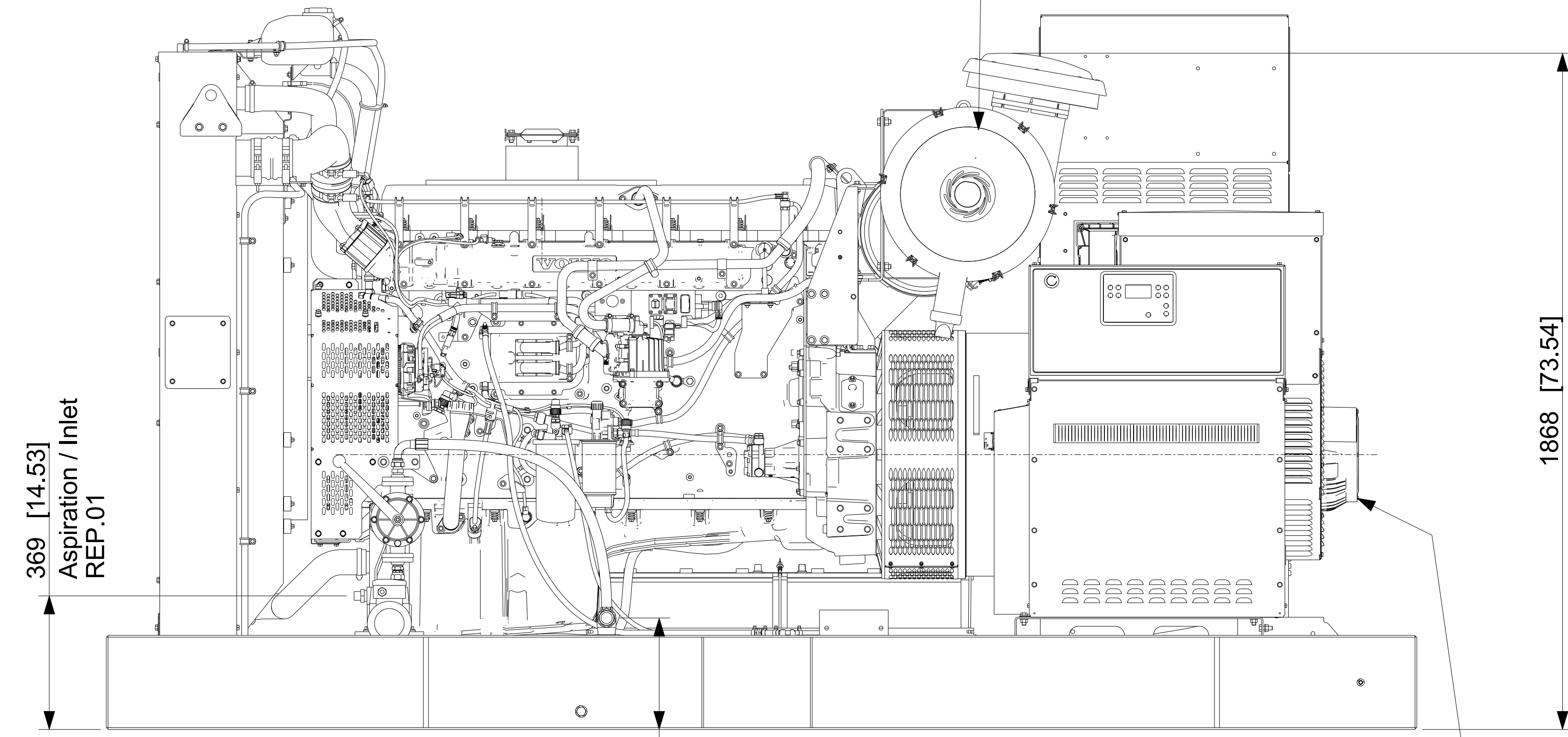
DETAIL CONTRE-BRIDE
 COUNTER-FLANGE DETAIL
 ACIER/STEEL 3mm
 1:5



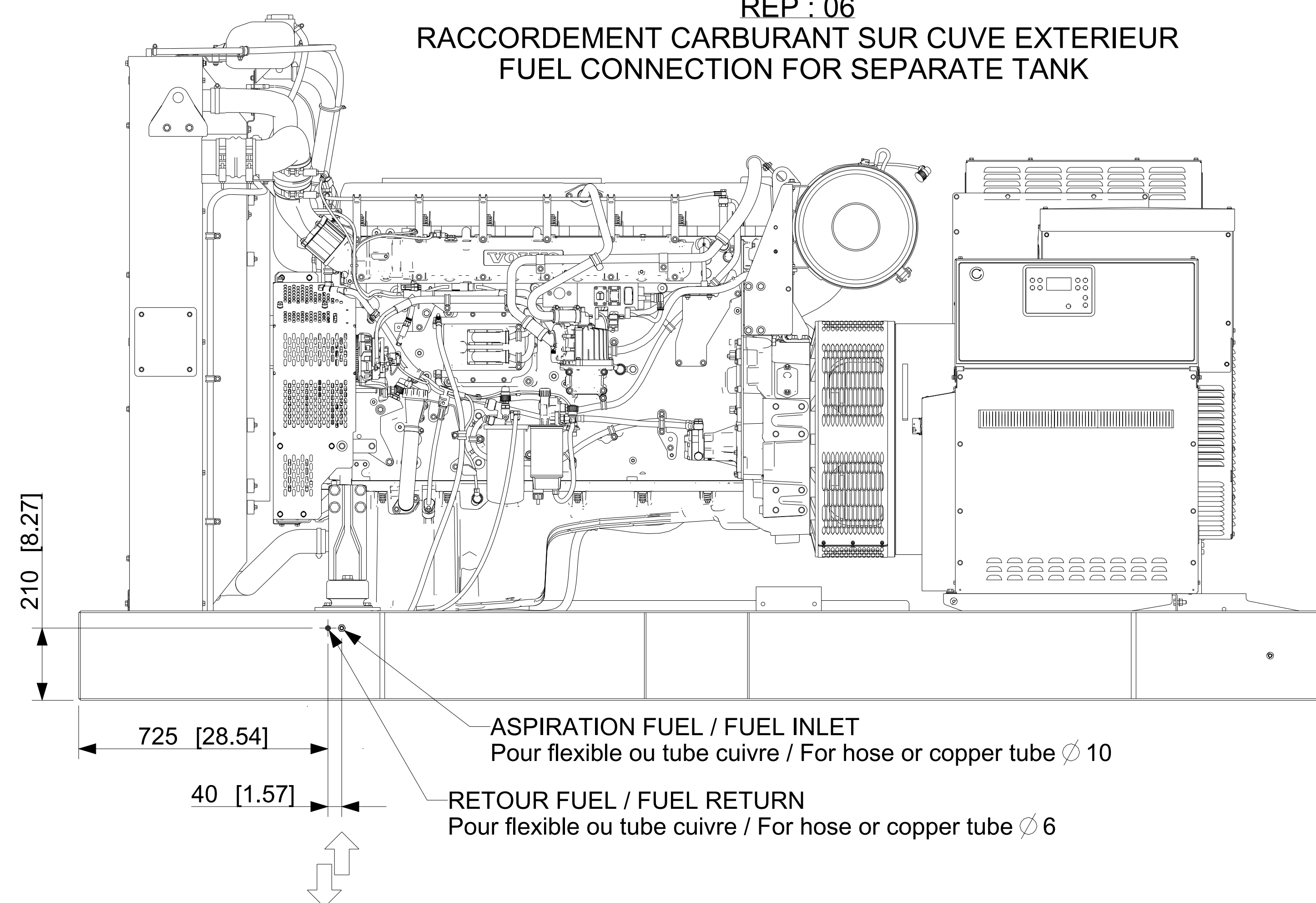
REP. 04 :
 AIRR SUPERIEURE
 UPPER AIRR



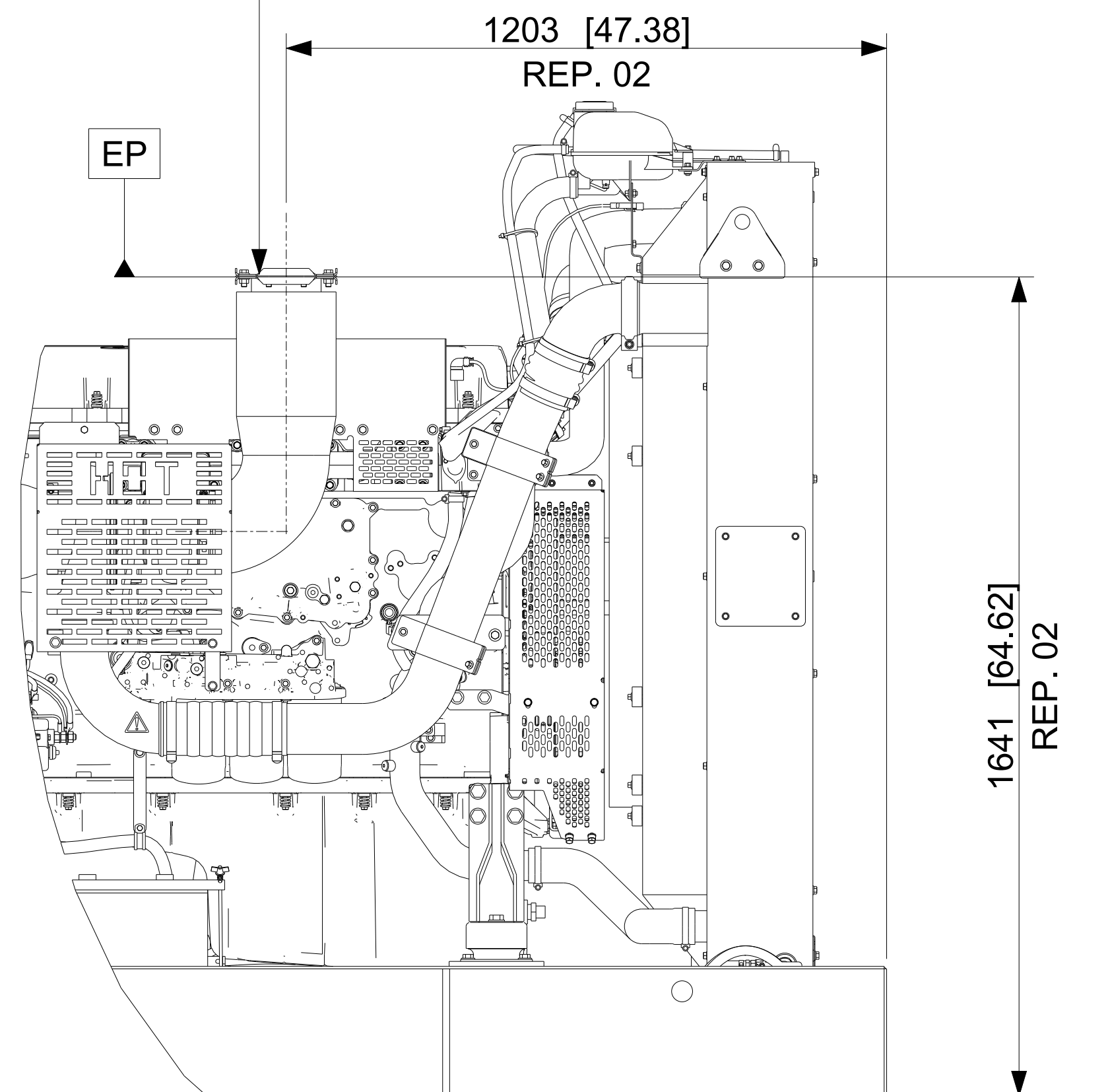
REP. 03 :
 FILTRE A AIR AMBIANCE POUSSIEREUSE /
 HEAVY DUTY AIR FILTER



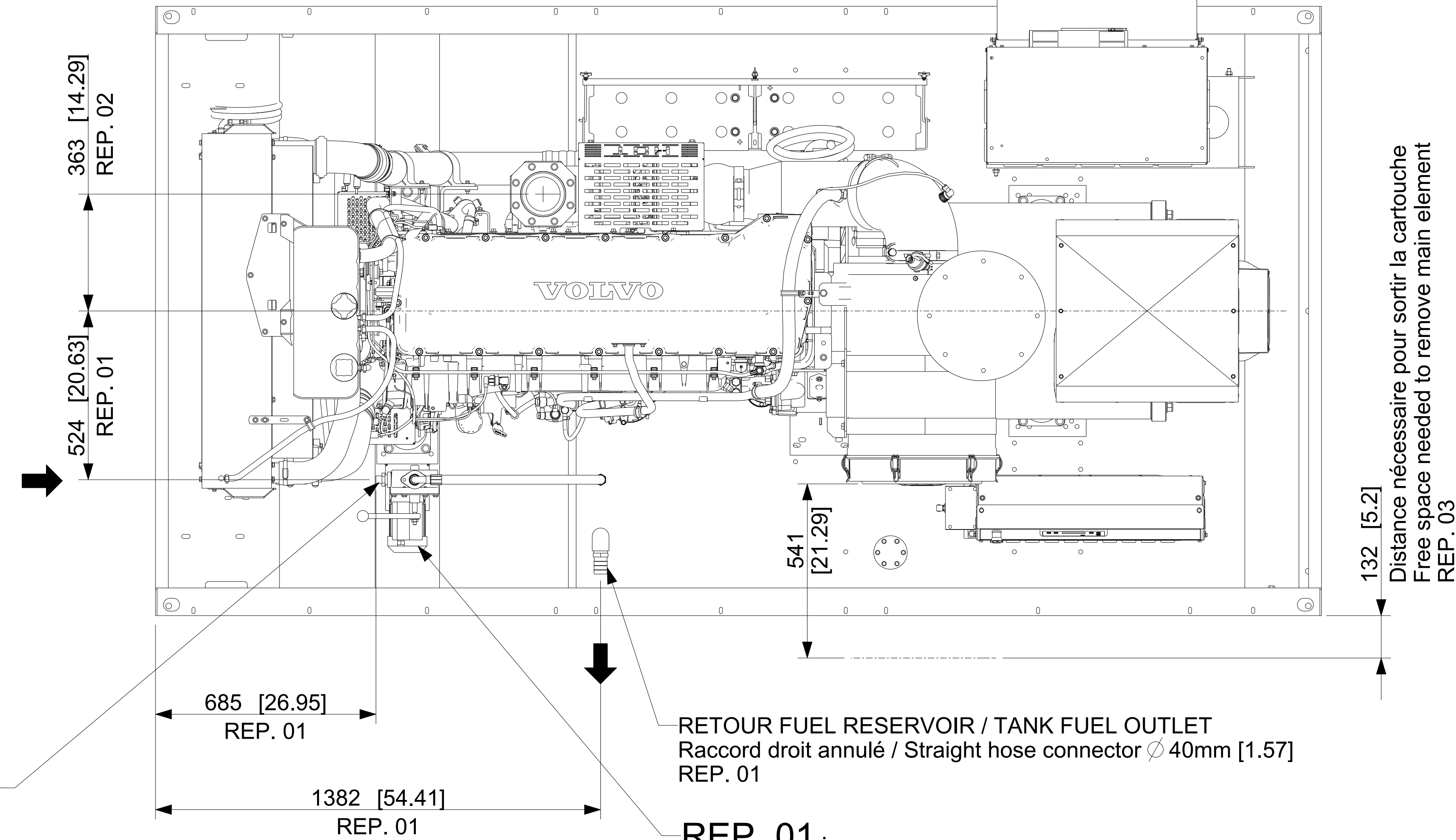
REP : 06
 RACCORDEMENT CARBURANT SUR CUVE EXTERIEUR
 FUEL CONNECTION FOR SEPARATE TANK



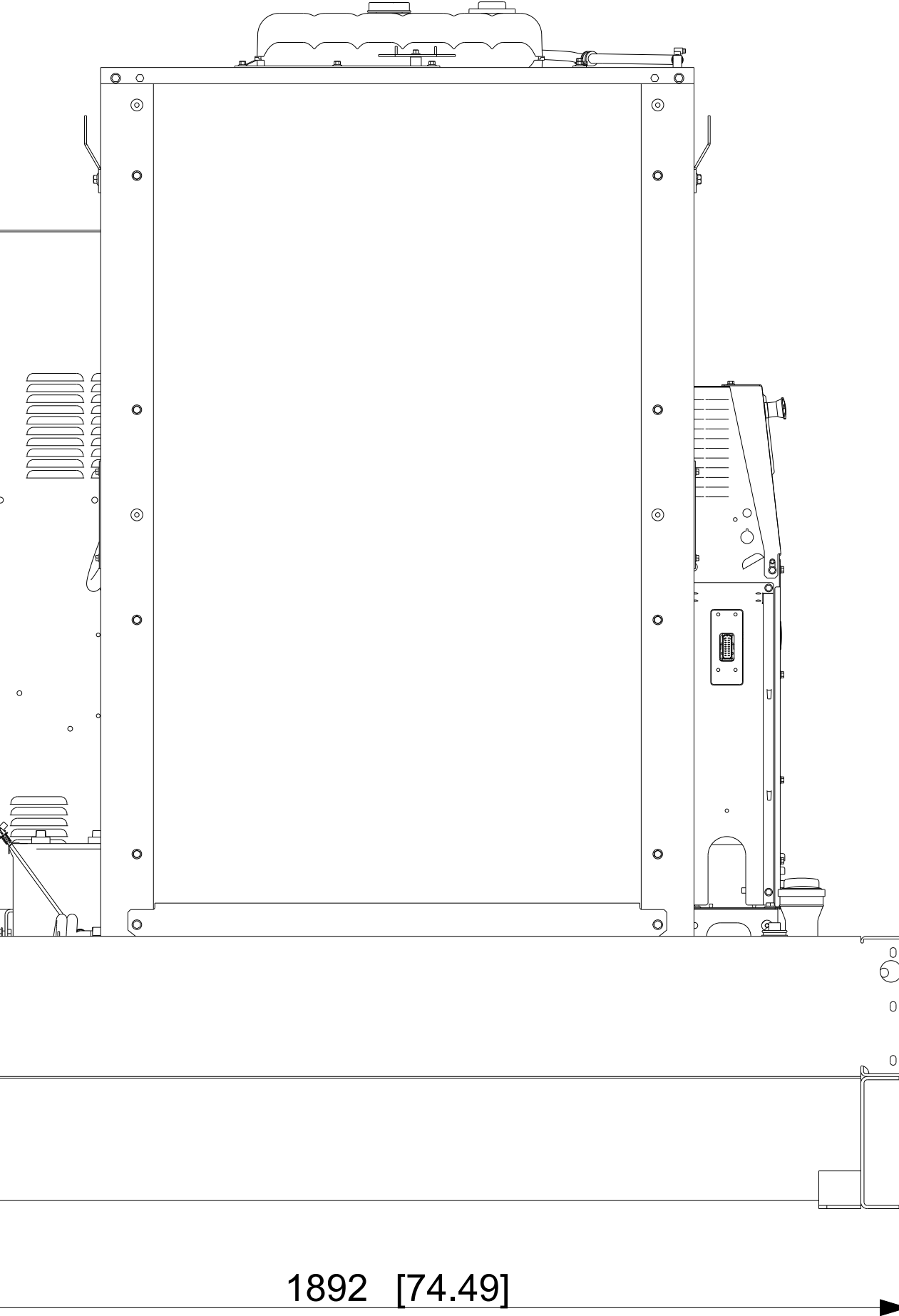
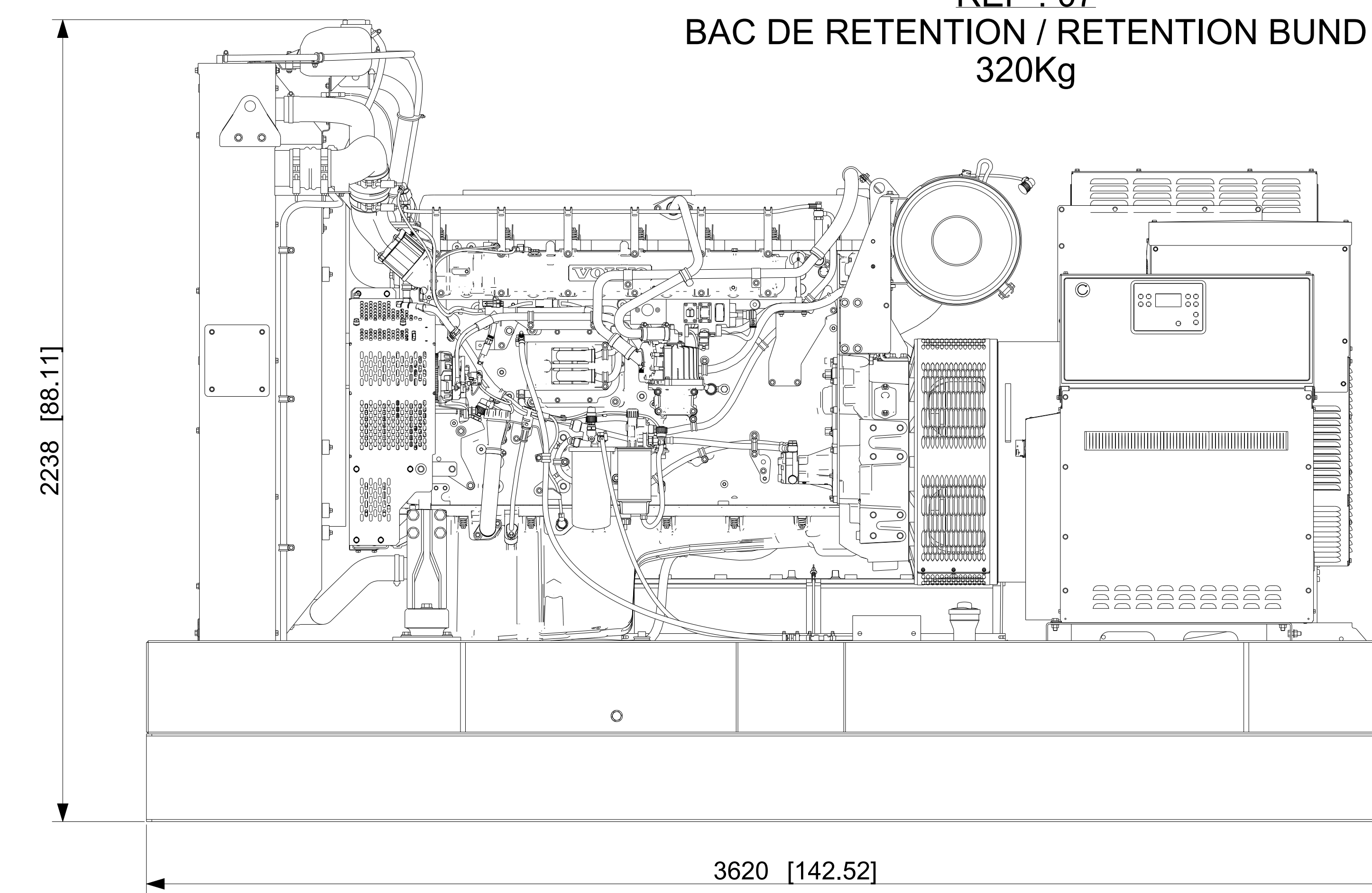
REP. 02 :
 SORTIE ECHAPPEMENT AVEC COMPENSATEUR ET BRIDES /
 EXHAUST OUTLET WITH FLEXIBLE AND FLANGES



REP. 06 :
 PMG



REP : 07
 BAC DE RETENTION / RETENTION BUND
 320Kg



INFORMATIONS SUPPLEMENTAIRES ADDITIONAL INFORMATION	REP.
KIT REMPLISSAGE AUTOMATIQUE FUEL POUR CHASSIS-RESERVOIR AUTOMATIQUE FUEL FILL KIT FOR FRAME-TANK	01
LIAISON ECHAPPEMENT EXHAUST PIPE	02
FILTRE A AIR POUR AMBIANCE POUSSIEREUSE HEAVY DUTY AIR FILTER	03
ARMOIRE AIRR SUPERIEURE / UPPER BRAKER BOX	04
PMG (Permanent Magnet Generator)	05
RACCORDEMENT FUEL SUR CUVE EXTERIEURE FUEL CONNECTION FOR SEPARATE TANK	06
BAC DE RETENTION RETENTION BUND	07

REV.	DATE	ON COMPOSITE DWGS. SEE PART NO. FOR REVISION LEVEL	BY	DO NOT SCALE. REFERENCE THE MODEL FOR ALL UNSPECIFIED DIMENSIONS
-	08.09.22	NEW DRAWING	AC	UNLESS OTHERWISE SPECIFIED - 1) DIMENSIONS ARE IN MILLIMETERS 2) TOLERANCES ARE: NF 501300-A-E

270 rue de Kerenem - 29490 Guipavas
CS 40047 - 29801 Brest Cedex 9 - France

KOHLER.

THIS DRAWING IS UNDER PROPERTY OF THE COMPANY.
IT CANNOT BE PRINTED, USED OR COMMUNICATED WITHOUT ITS AUTHORIZATION.

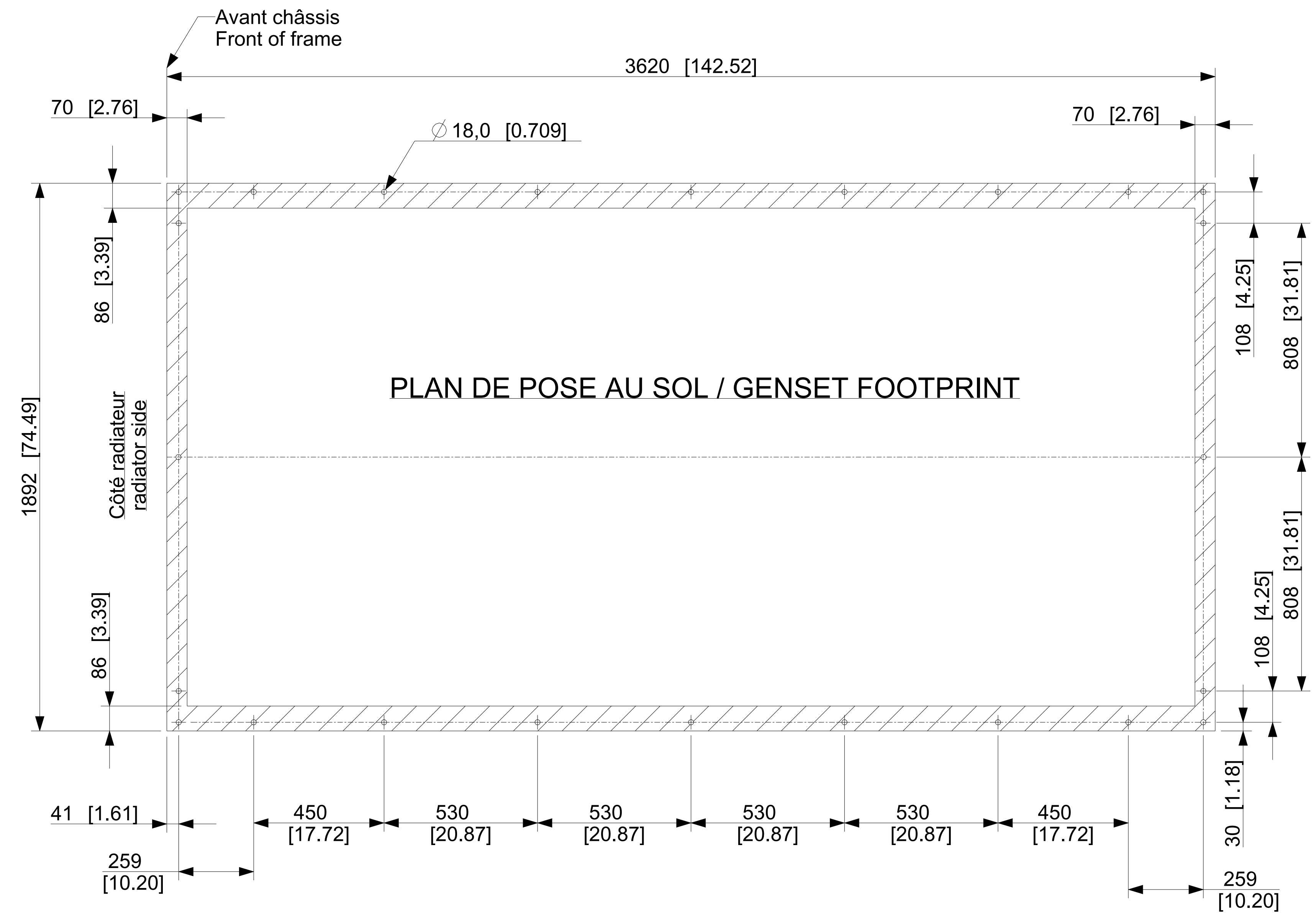
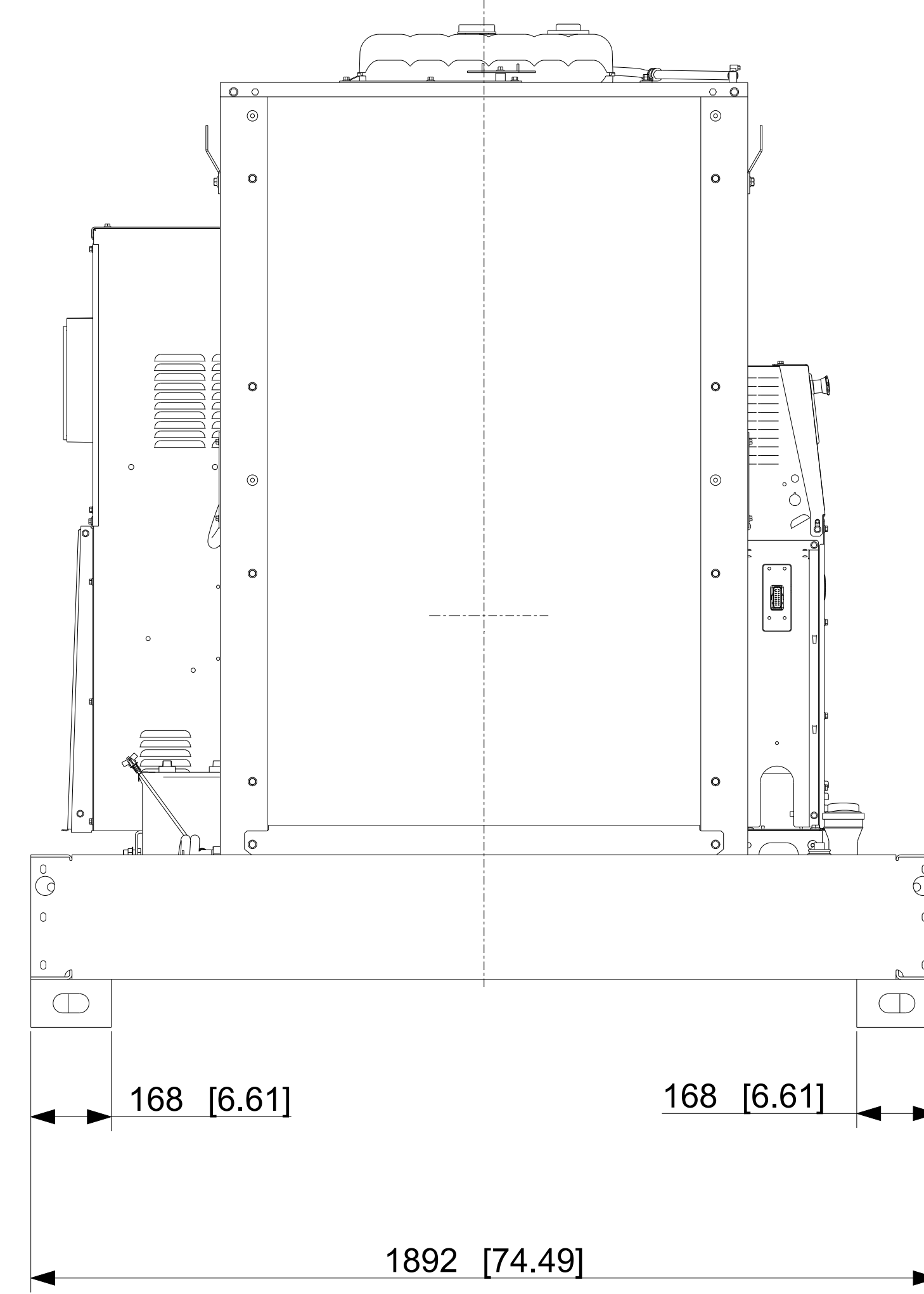
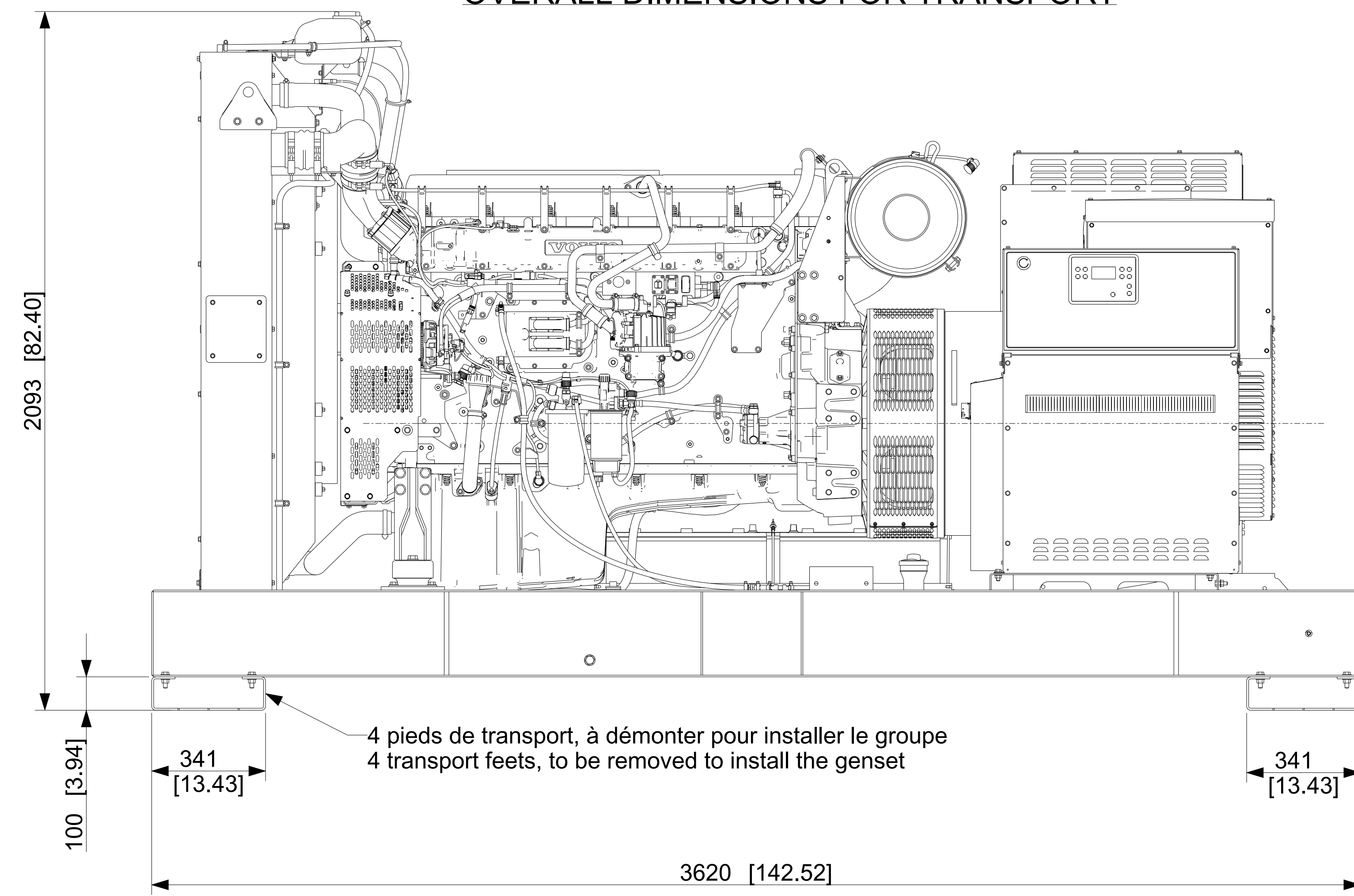
TITLE: **DIMENSION PRINT, TAD164.GE**

CAD NO: 30101127101-209 SCALE: 1:10 SHEET: 2 of 3

DWG NO: 30001548501 REV: SIZE: A0

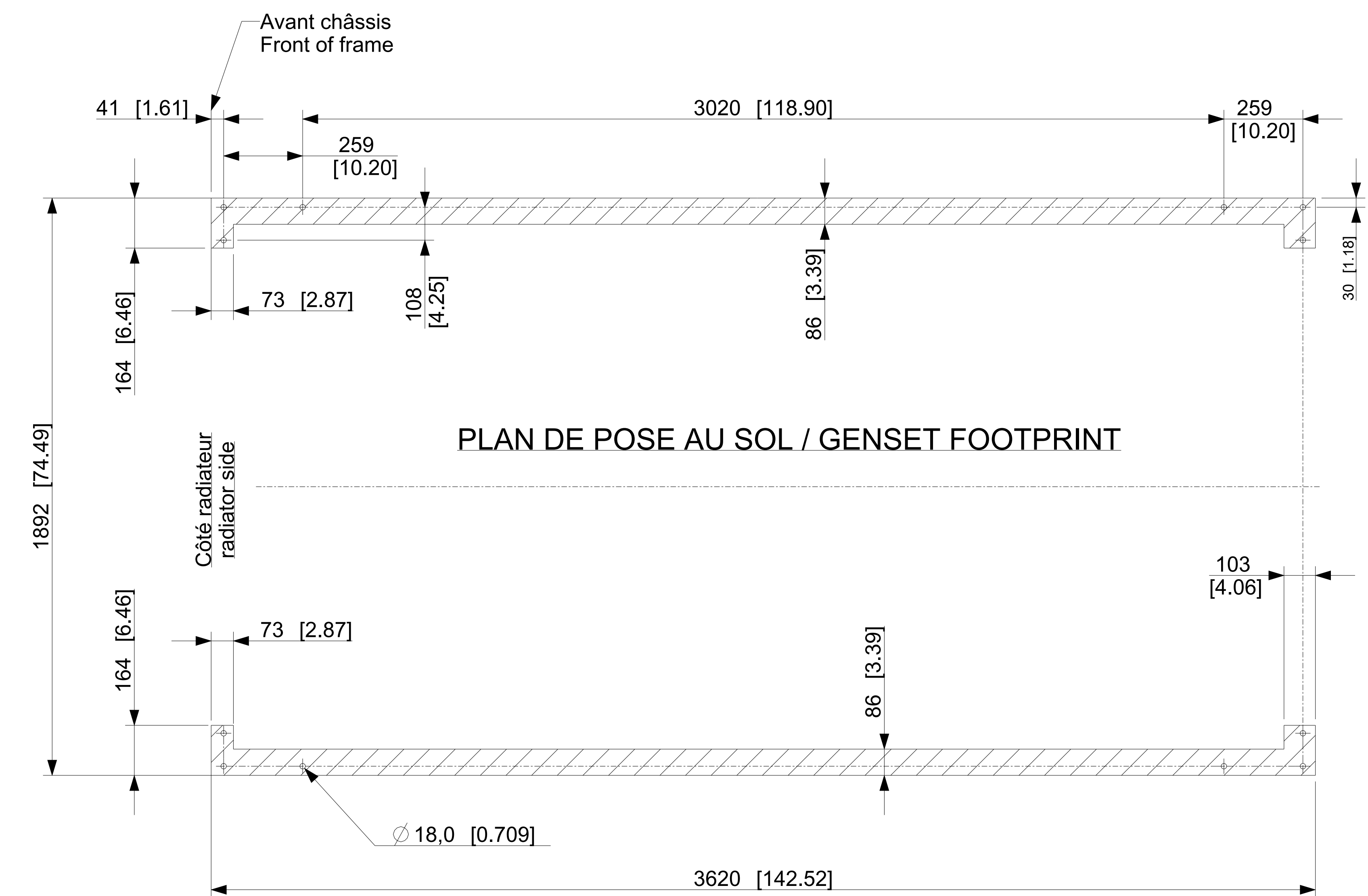
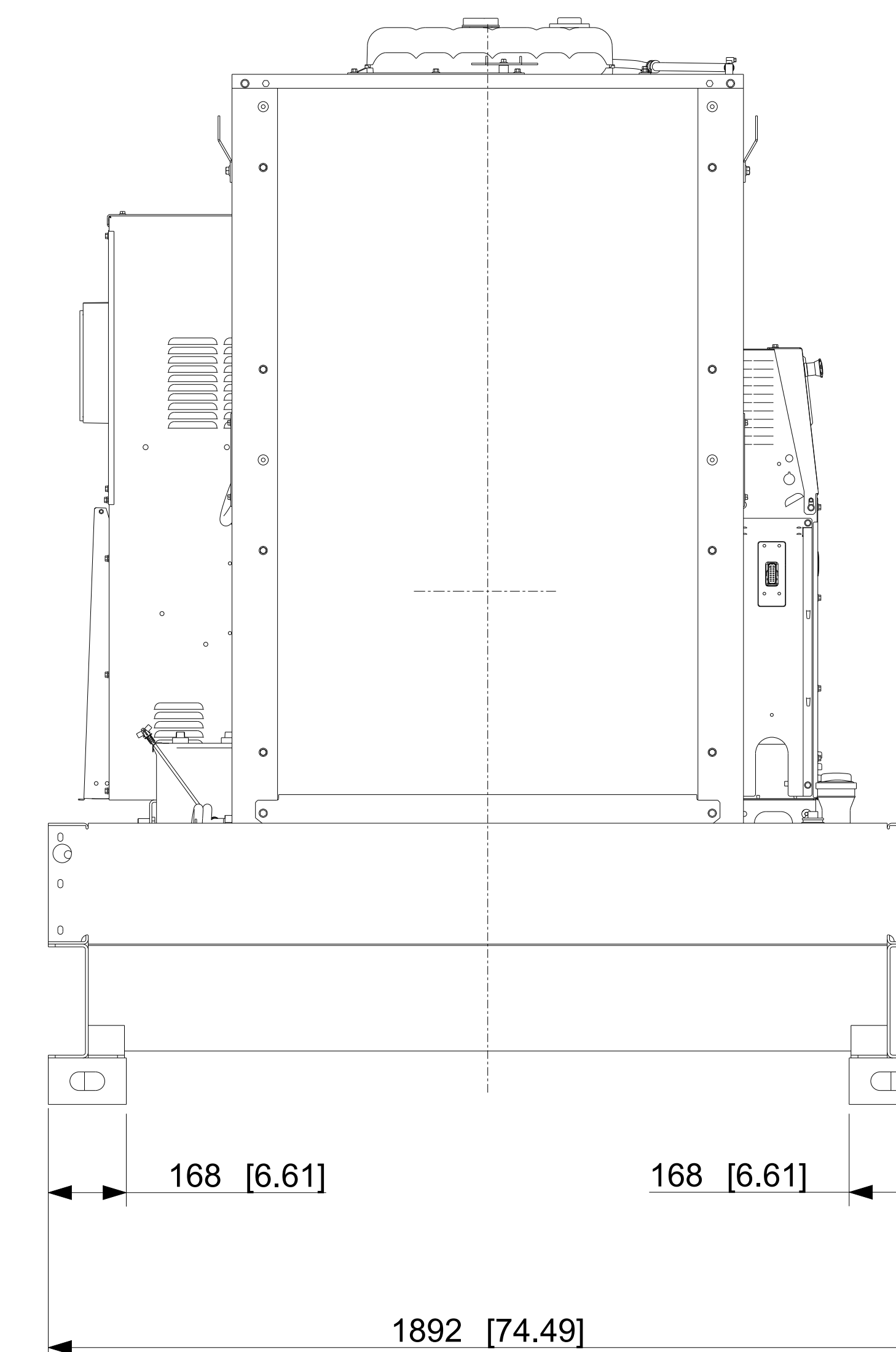
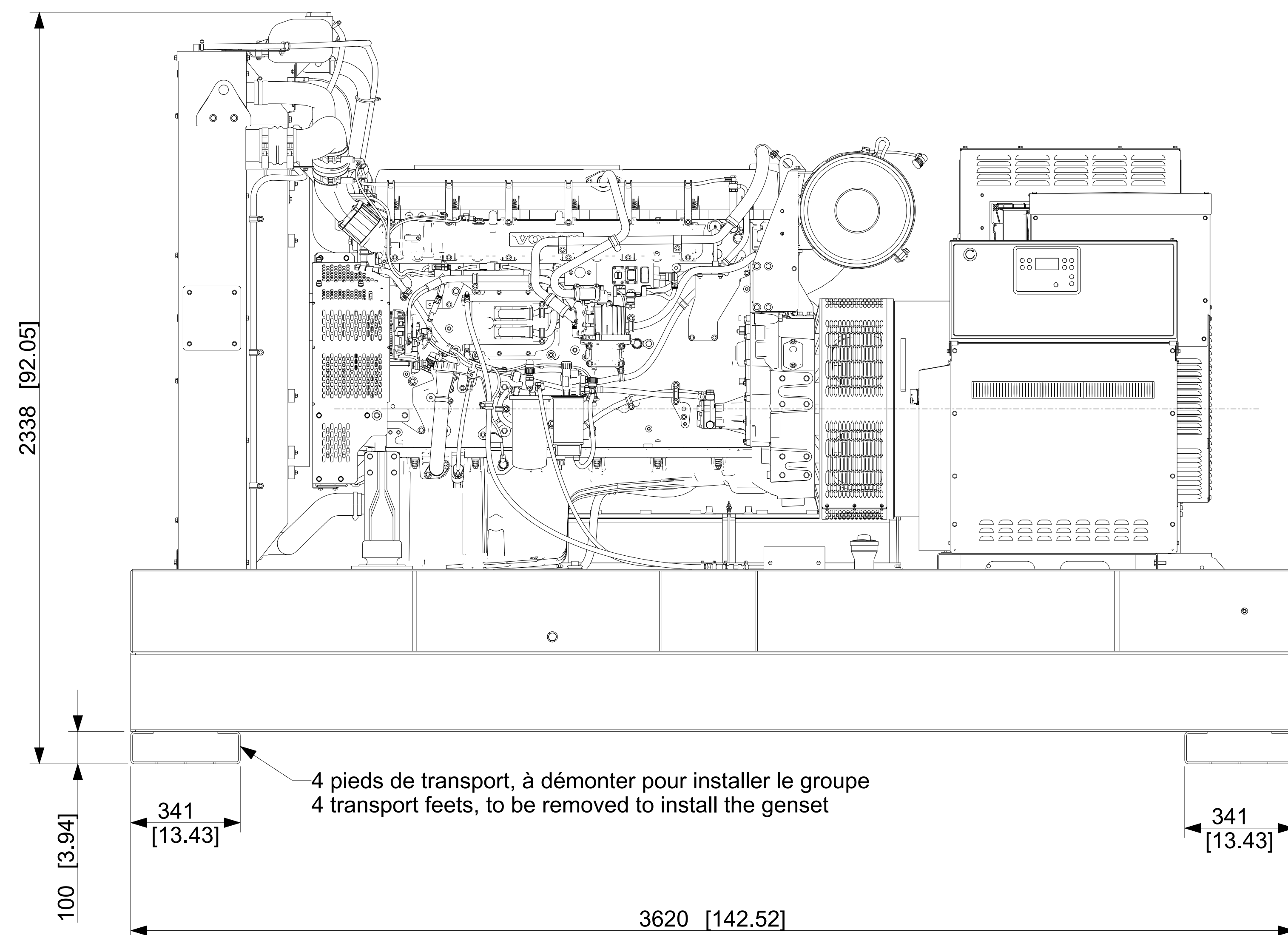
VERSION CHASSIS AVEC OU SANS RESERVOIR, SANS BAC DE RETENTION
WITH OR WITHOUT TANK FRAME VERSION, WITHOUT RETENTION BUND

DIMENSIONS DE TRANSPORT
OVERALL DIMENSIONS FOR TRANSPORT



VERSION CHASSIS AVEC OU SANS RESERVOIR, AVEC BAC DE RETENTION
WITH OR WITHOUT TANK FRAME VERSION, WITH RETENTION BUND

DIMENSIONS DE TRANSPORT
OVERALL DIMENSIONS FOR TRANSPORT



CET ASSEMBLAGE OU PIECE DOIT ETRE CONFORME A LA SPECIFICATION PEP-RML-001
THIS ASSEMBLY OR PART MUST COMPLY WITH SPECIFICATION PEP-RML-001

REV	DATE	ON COMPOSITE DWGS. SEE PART NO. FOR REVISION LEVEL	BY	DO NOT SCALE. REFERENCE THE MODEL FOR ALL UNSPECIFIED DIMENSIONS
-	08.09.22	NEW DRAWING	AC	UNLESS OTHERWISE SPECIFIED - 1) DIMENSIONS ARE IN MILLIMETERS 2) TOLERANCES ARE: NF 501300-6-A-E
				KOHLER. 270 rue de Kerenem - 29490 Guipavas CS 40047 - 29801 Brest Cedex 9 - France
				THIS DRAWING IS UNDER PROPERTY OF THE COMPANY. IT CANNOT PRINTED, USED OR COMMUNICATED WITHOUT ITS AUTHORIZATION.
				TITLE: DIMENSION PRINT, TAD164.GE
				APPROVALS: _____ DATE: 09-Aug-22 CAD NO: 30001548501 SCALE: 1:10 SHEET: 3 of 3
				DWG NO: 30001548501 REV: _____ SIZE: A0