

MOTEUR / ENGINE	ALTERNATEUR / ALTERNATOR	CHASSIS SANS RESERVOIR GASOIL / FRAME WITHOUT FUEL TANK					
		MASSE / WEIGHT (kg / lbs) +/- 5%		COG (mm / inch) A vide / Dry		COG (mm / inch) OdM / Wet	
		A vide / Dry	OdM / Wet	CG Horizontal	CG Vertical	CG Horizontal	CG Vertical
DOOSAN P126 TI / TI-II	KH01381T	2312 / 5097	2392 / 5273	2021 / 79.56	749 / 29.48	2036 / 80.15	746 / 29.36
DOOSAN P126 TI / TI-II	KH01721T	2436 / 5370	2516 / 5546	1952 / 76.85	744 / 29.29	1956 / 77.00	742 / 29.21
DOOSAN P126 TI / TI-II	KH02214T	2566 / 5657	2646 / 5833	1933 / 76.10	740 / 29.13	1949 / 76.73	738 / 29.05

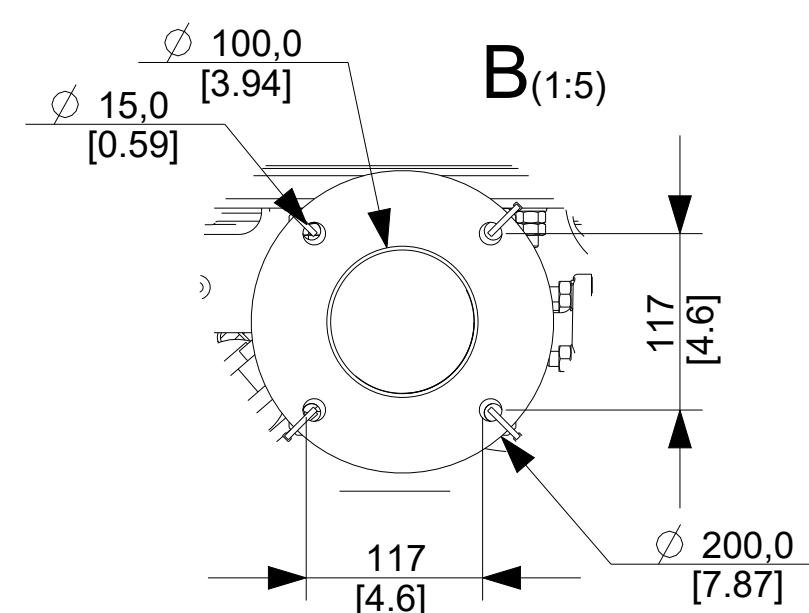
MOTEUR / ENGINE	ALTERNATEUR / ALTERNATOR	CHASSIS AVEC RESERVOIR GASOIL / FRAME WITH FUEL TANK					
		MASSE / WEIGHT (kg / lbs) +/- 5%		COG (mm / inch) A vide / Dry		COG (mm / inch) OdM / Wet	
		A vide / Dry	OdM / Wet	CG Horizontal	CG Vertical	CG Horizontal	CG Vertical
DOOSAN P126 TI / TI-II	KH01381T	2427 / 5350	2859 / 6303	2114 / 83.22	642 / 25.27	2139 / 84.21	584 / 22.99
DOOSAN P126 TI / TI-II	KH01721T	2550 / 5621	2983 / 6576	2044 / 80.47	643 / 25.31	2067 / 81.37	588 / 23.14
DOOSAN P126 TI / TI-II	KH02214T	2681 / 5910	3113 / 6862	2021 / 79.56	644 / 25.35	2056 / 80.94	591 / 23.26

(1) Seulement avec châssis réservoir fuel / Only with fuel tank frame

- Voir folios suivants pour informations complémentaires / See following sheets for additional informations.

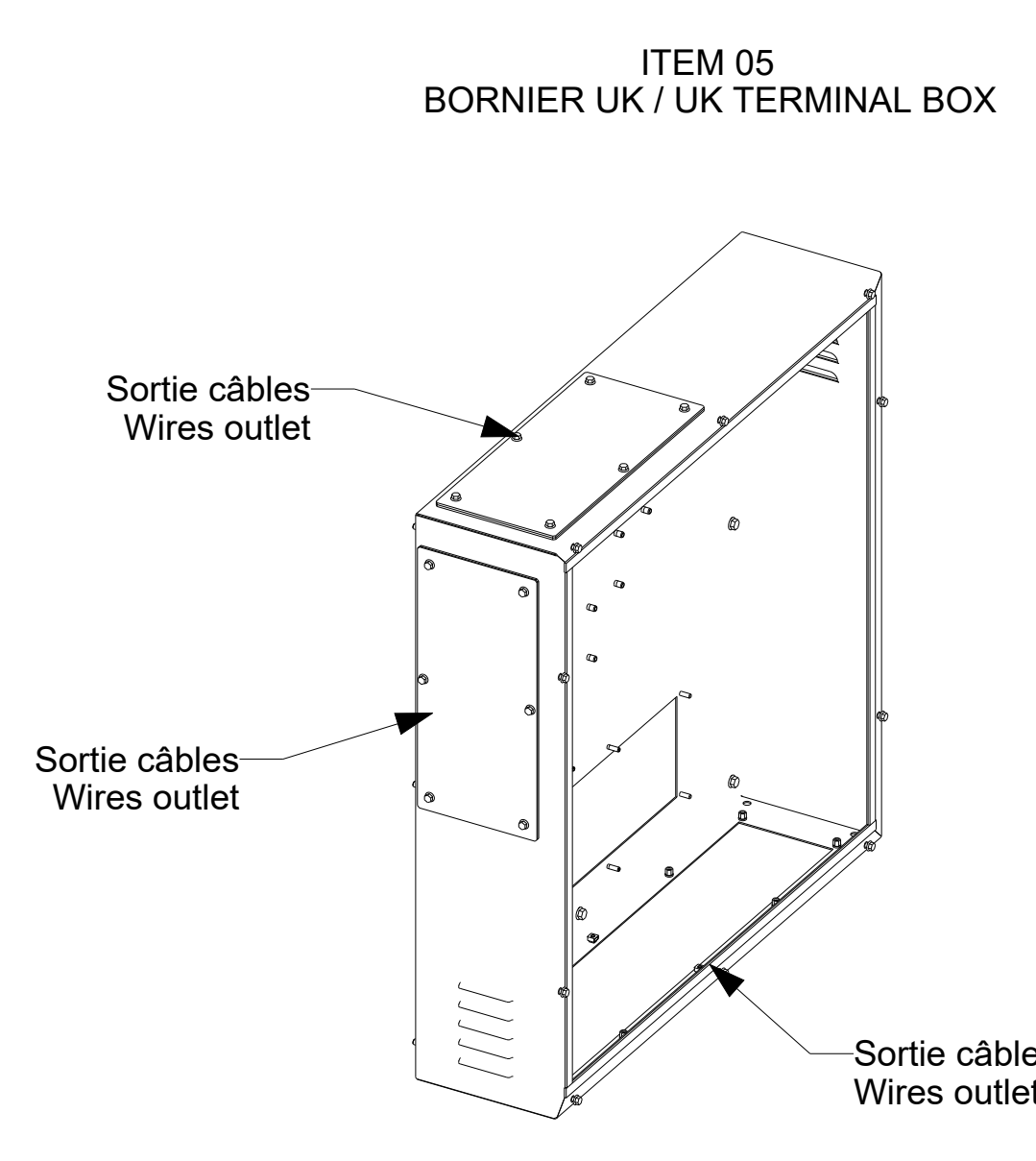
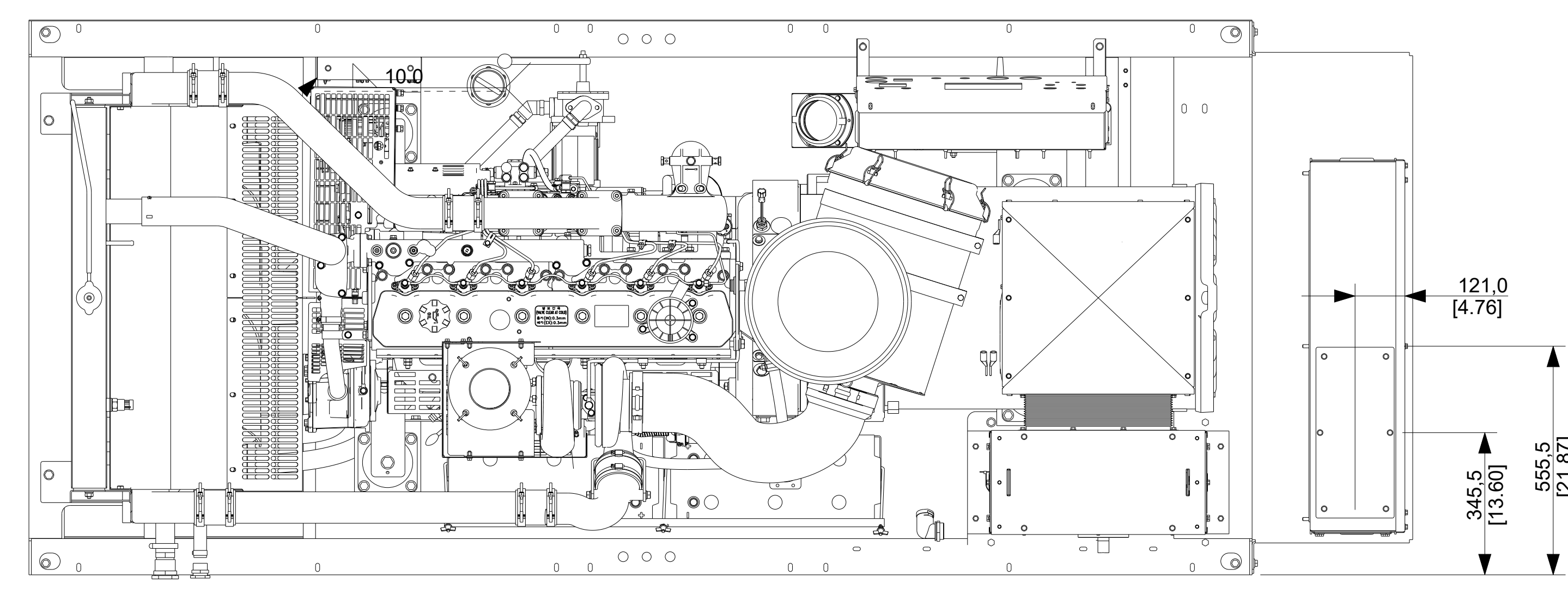
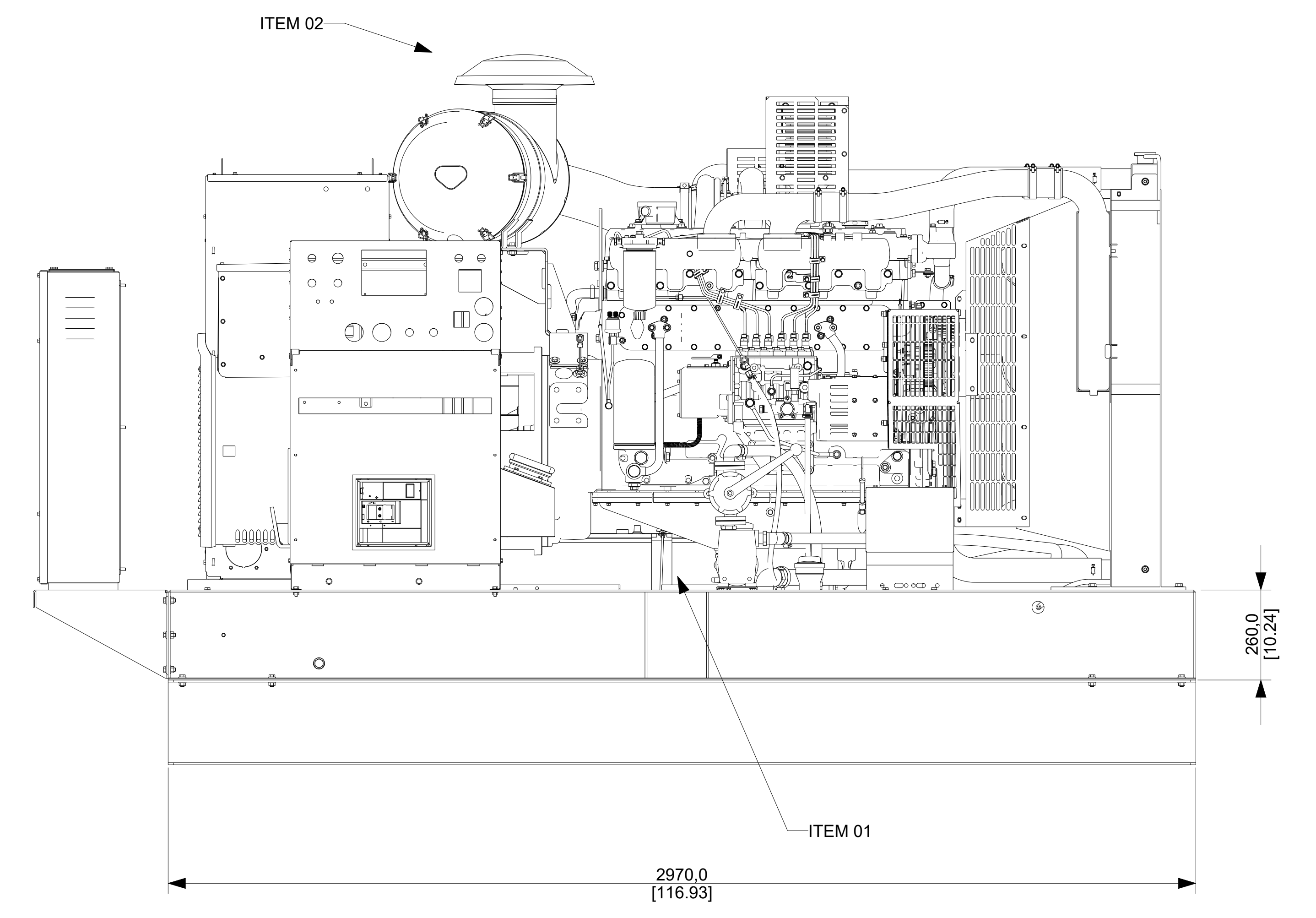
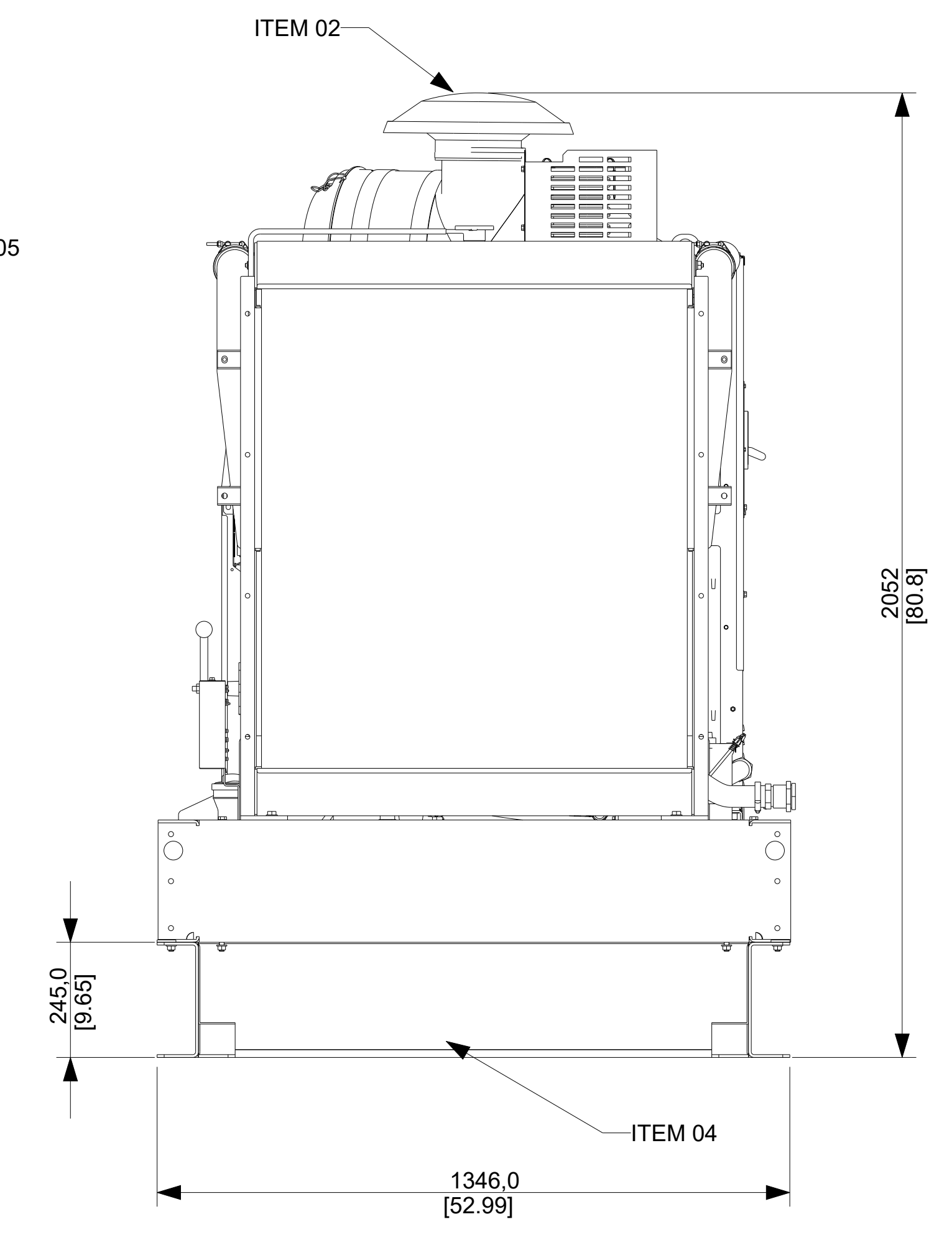
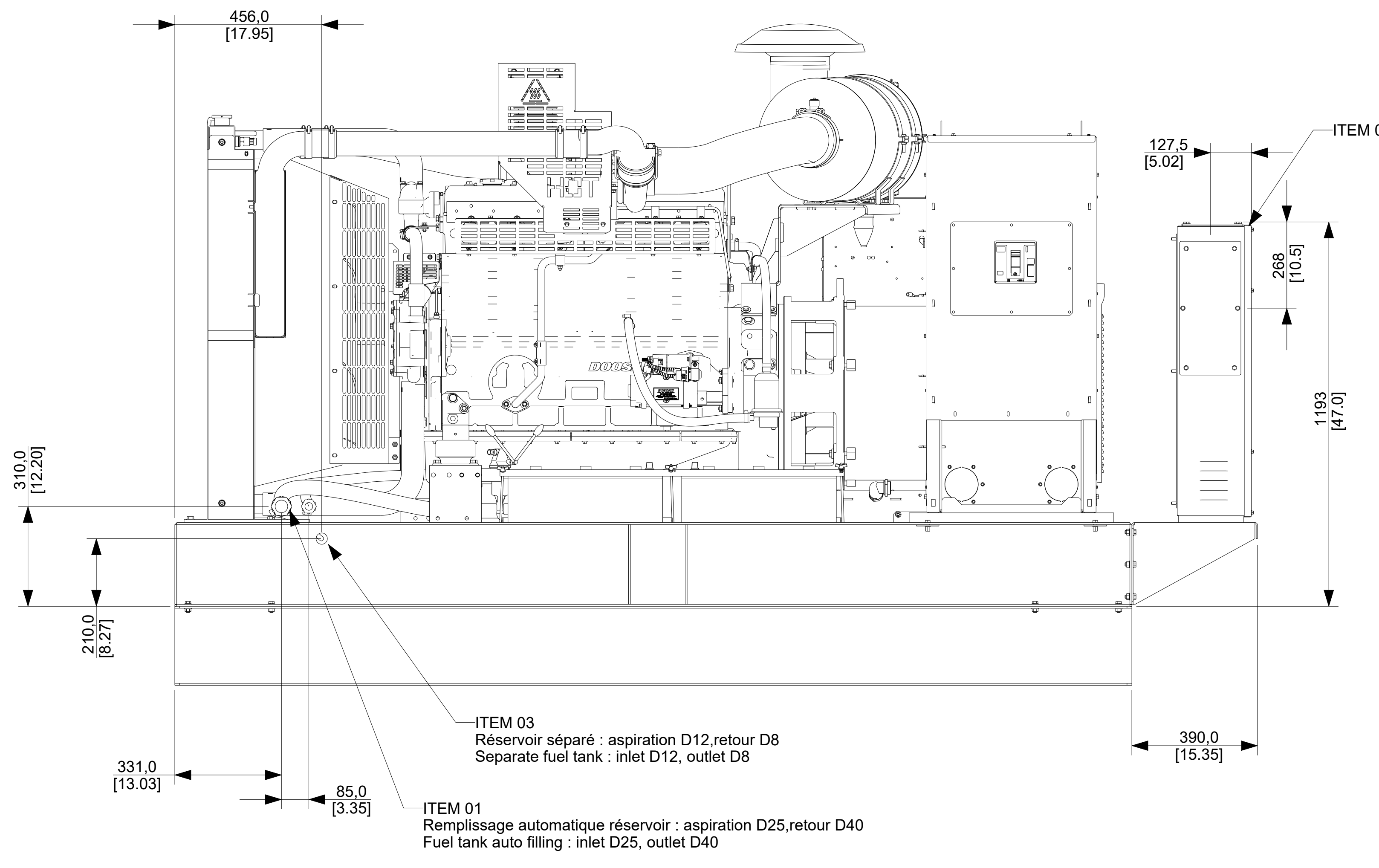
- Les noms des vues correspondent aux différentes faces du groupe électrogène / The names of the views correspond to the different sides of the generating set.

SORTIE ECHAPPEMENT / EXHAUST OUTLET  
(Détail contre-bride / counter-flange detail)



CET ASSEMBLAGE OU PIECE DOIT ETRE CONFORME A LA SPECIFICATION PEP-RML-001  
THIS ASSEMBLY OR PART MUST COMPLY WITH SPECIFICATION PEP-RML-001

REV	DATE	ON COMPOSITE DWGS. SEE PART NO. FOR REVISION LEVEL	BY	DO NOT SCALE. REFERENCE THE MODEL FOR ALL UNSPECIFIED DIMENSIONS
-	07/06/22	NEW DRAWING	SP	UNLESS OTHERWISE SPECIFIED - 1) DIMENSIONS ARE IN MILLIMETERS 2) TOLERANCES ARE: NF ISO1300-A-E
				<b>KOHLER</b> 270 rue de Koenigsm - 26490 Guéranville CS 4047 - 29801 Brest Cedex 3 - France
				THIS DRAWING IS UNDER PROPERTY OF THE COMPANY. IT CANNOT BE PRINTED, USED OR COMMUNICATED WITHOUT ITS AUTHORIZATION.
				TITLE: <b>30001543901</b>
				APPROVALS: P. SIMON DATE: 07-Jun-22 CAD NO: 30001543901 SCALE: 1:10 SHEET: 1 of 3
				DWG NO: <b>30001543901</b> REV: - SIZE: A0



INFORMATIONS SUPPLEMENTAIRES / ADDITIONAL INFORMATION	ITEM
KIT REMPLISSAGE FUEL AUTOMATIQUE / AUTOMATIQUE FUEL FILL KIT	01
FILTRE A AIR AMBIANCE POUSSIEREUSE / HEAVY DUTY AIR FILTER	02
RACCORDEMENT FUEL SEPARÉ / FUEL CONNECTION	03
BAC DE RETENTION / RETENTION BUND	04
BORNIER UK / UK TERMINAL BLOCK	05

CET ASSEMBLAGE OU PIECE DOIT ETRE CONFORME A LA SPECIFICATION PEP-RML-001  
THIS ASSEMBLY OR PART MUST COMPLY WITH SPECIFICATION PEP-RML-001

REV	DATE	ON COMPOSITE DWGS. SEE PART NO. FOR REVISION LEVEL	BY	DO NOT SCALE. REFERENCE THE MODEL FOR ALL UNSPECIFIED DIMENSIONS
-	07/06/22	NEW DRAWING	SP	UNLESS OTHERWISE SPECIFIED - 1) DIMENSIONS ARE IN MILLIMETERS 2) TOLERANCES ARE: NF ISO 1300-6 A-E

FIRST ANGLE PROJECTION

APPROVALS	DATE	SCALE	SHEET
DRW: P. SIMON	07-Jun-22	1:10	2 of 3
APPROVED: ---	---	---	REV: ---
DWG NO: 30001543901			SIZE: A0

**KOHLER.** 270 rue de Koenigsm - 26490 Guérande  
CS 4047 - 29801 Brest Cedex 3 - France

THIS DRAWING IS UNDER PROPERTY OF THE COMPANY.  
IT CANNOT BE PRINTED, USED OR COMMUNICATED WITHOUT ITS AUTHORIZATION.

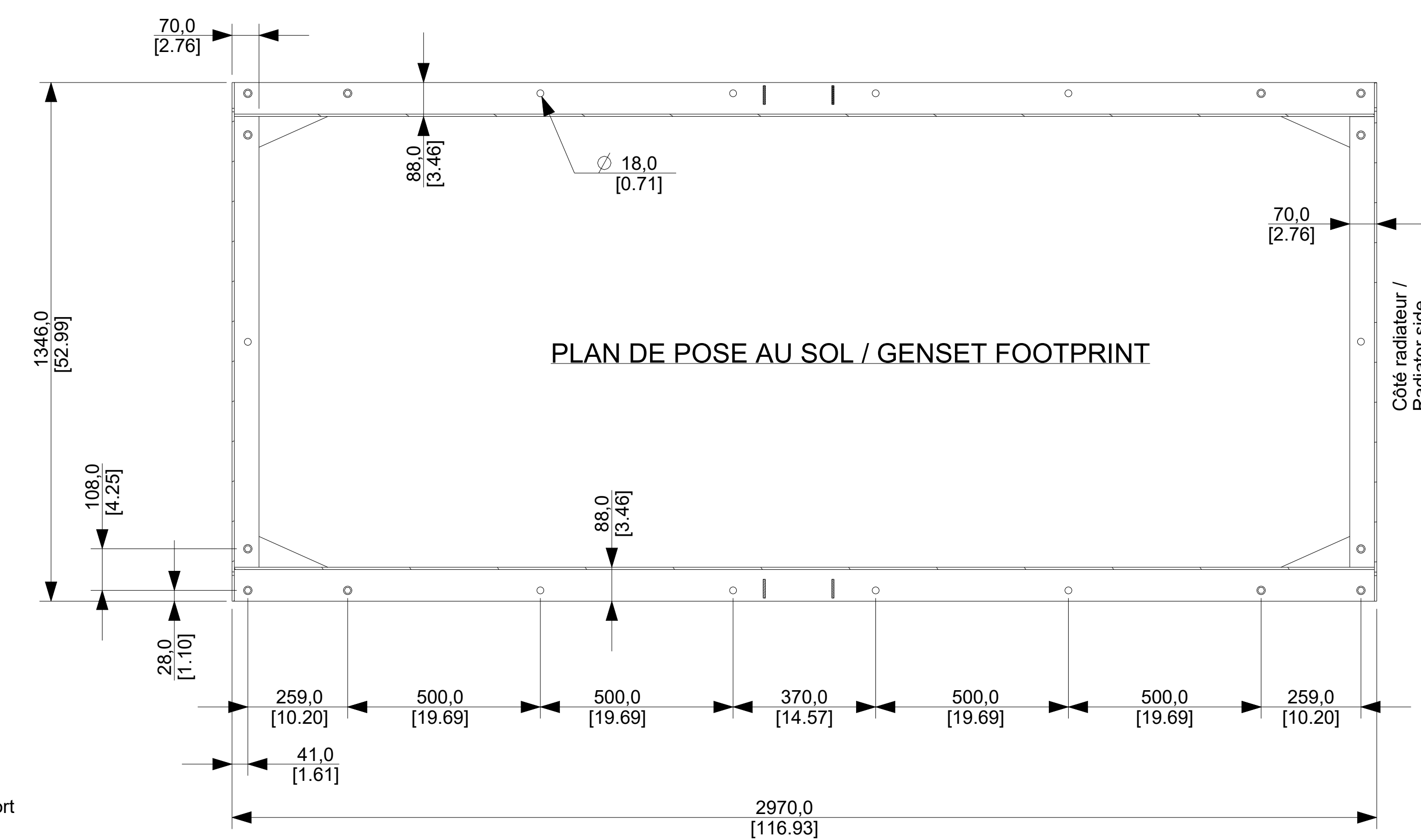
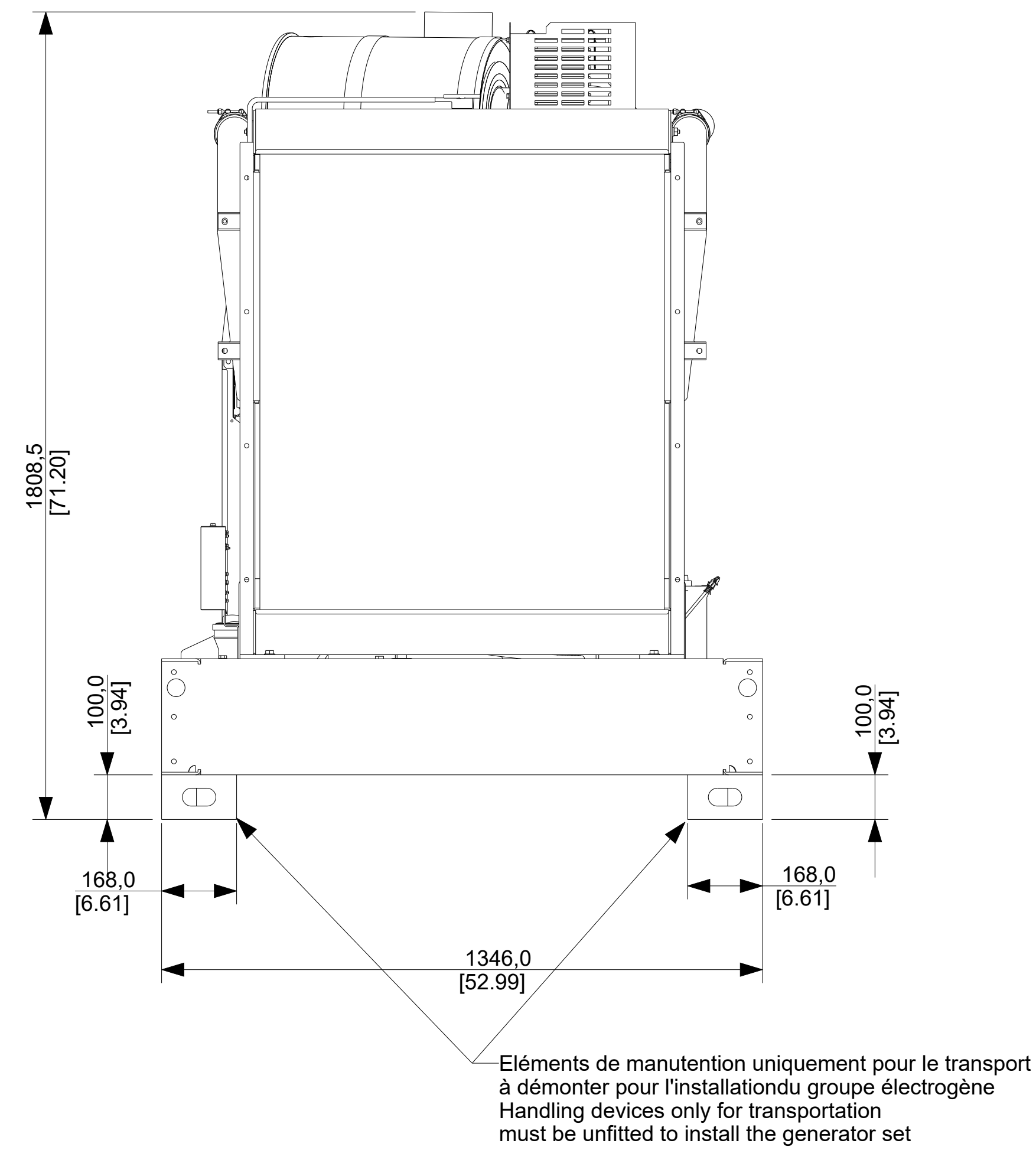
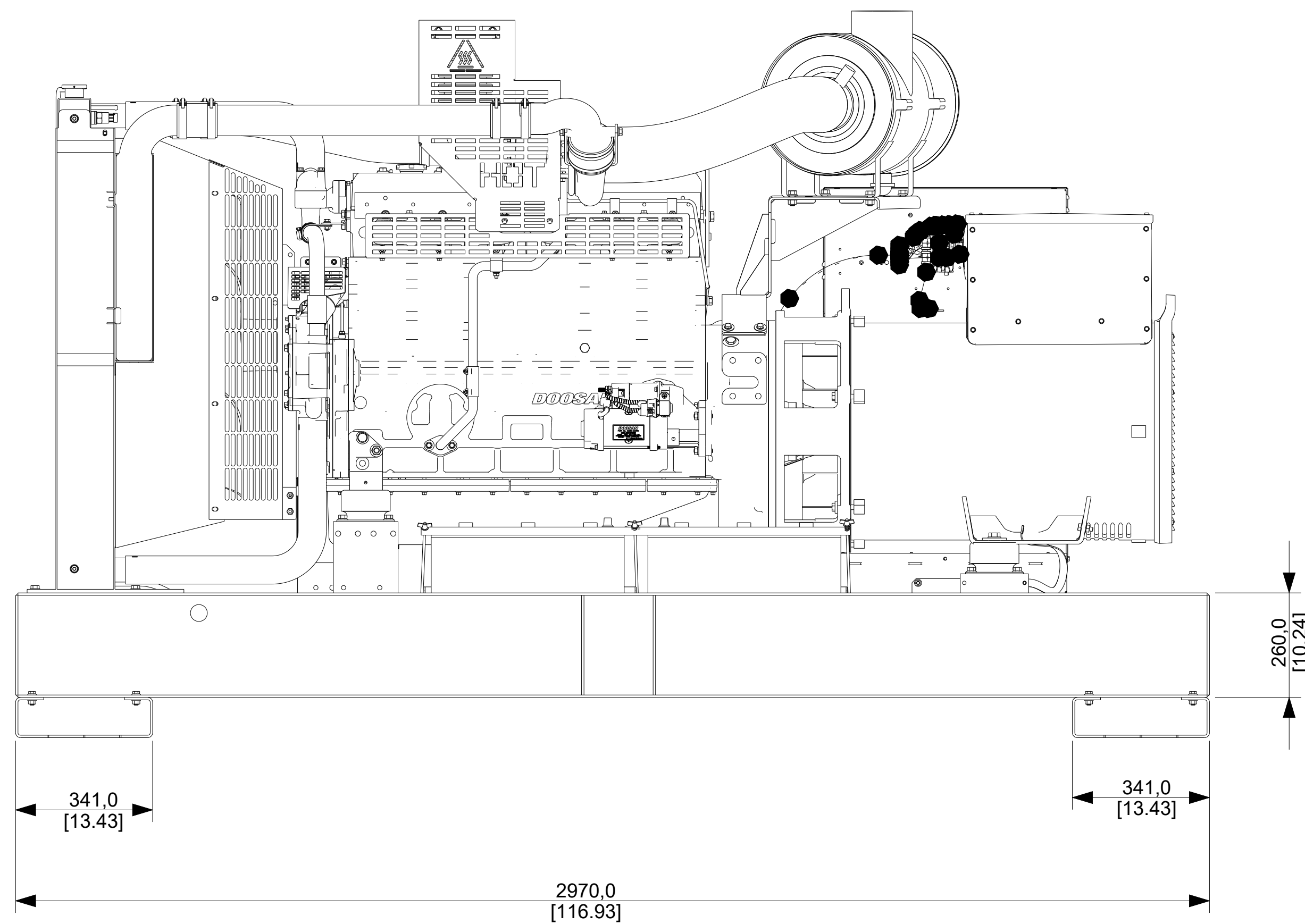
TITLE: 30001543901

CAD NO: 30001543901

DWG NO: 30001543901

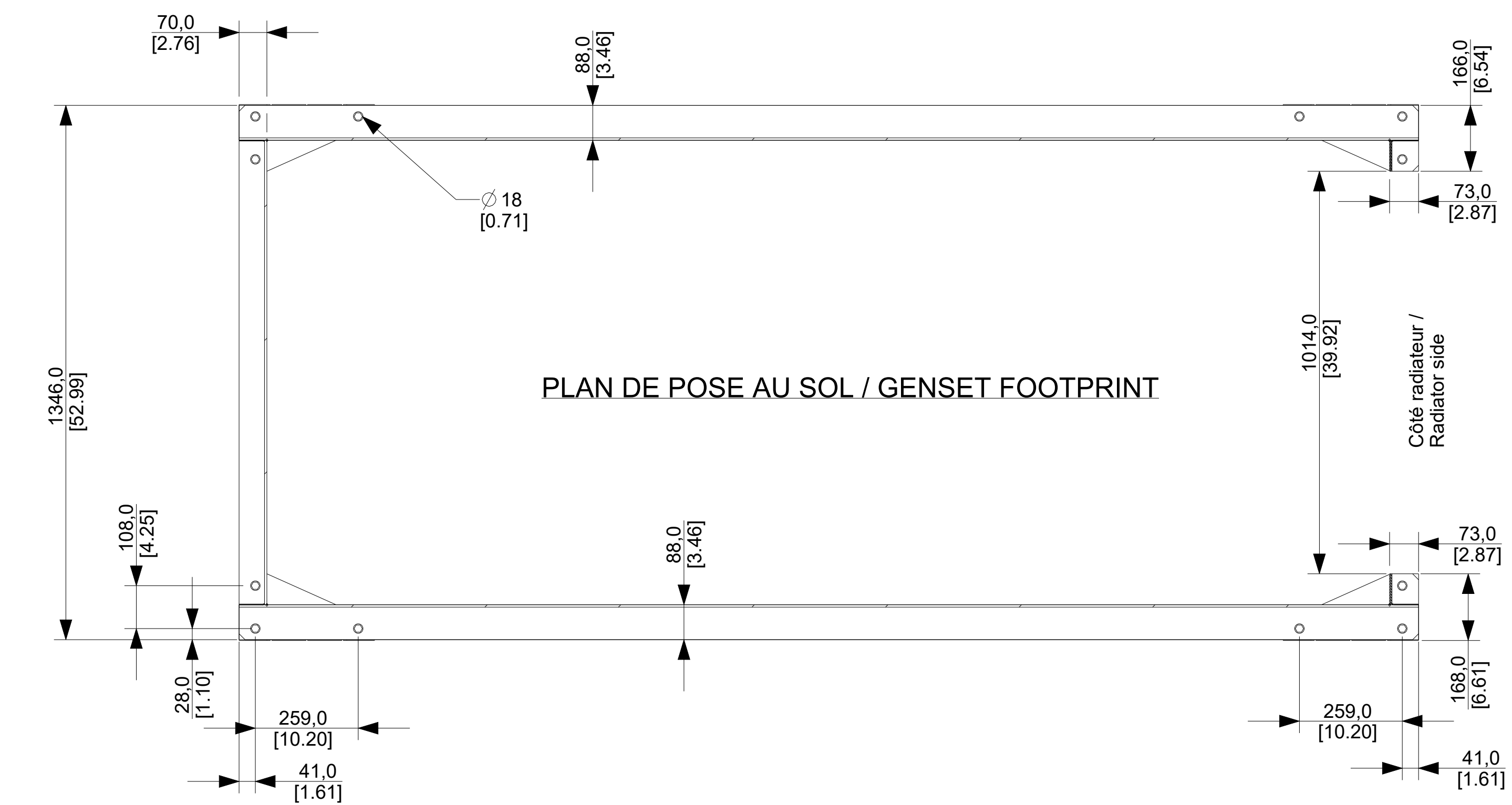
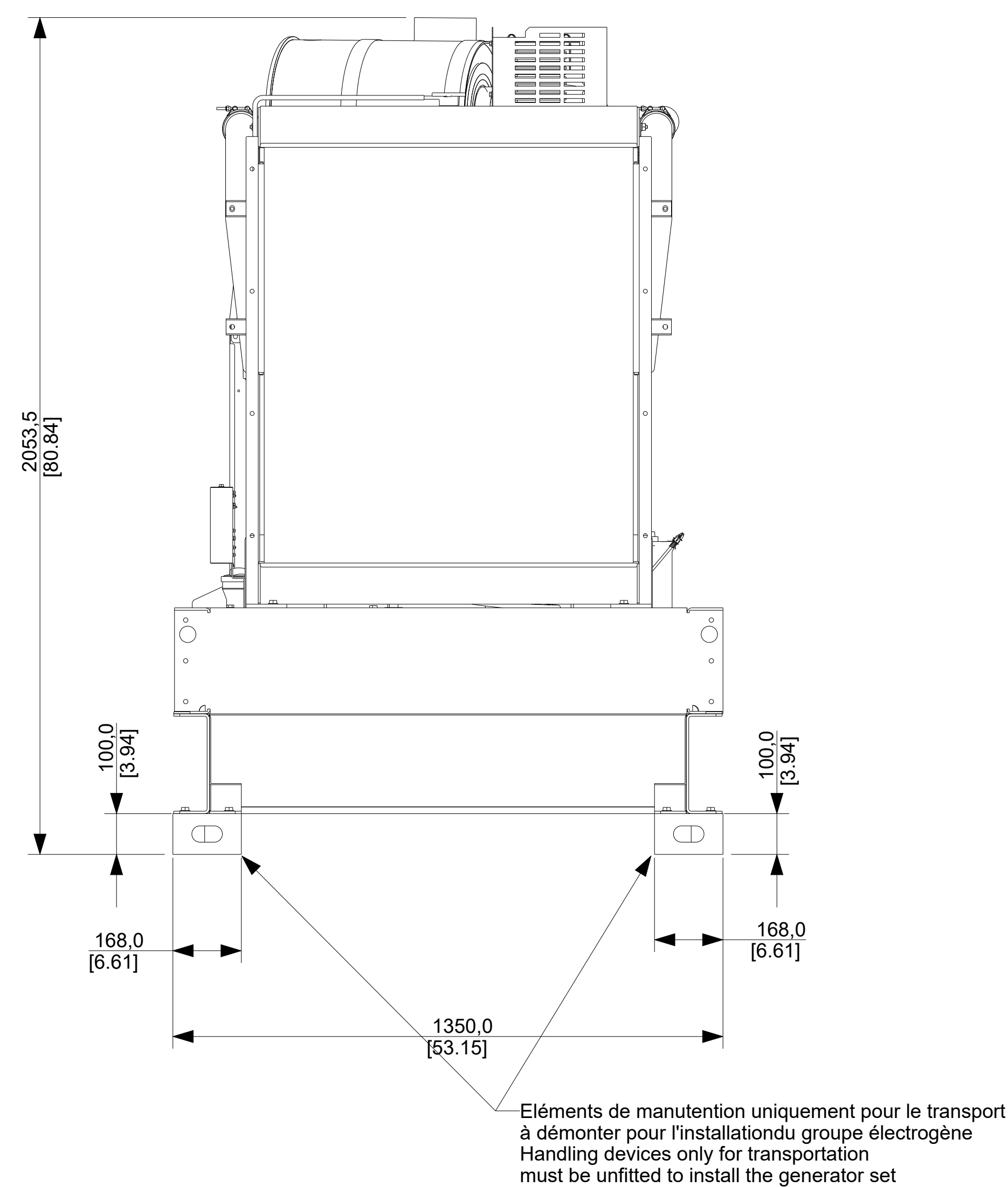
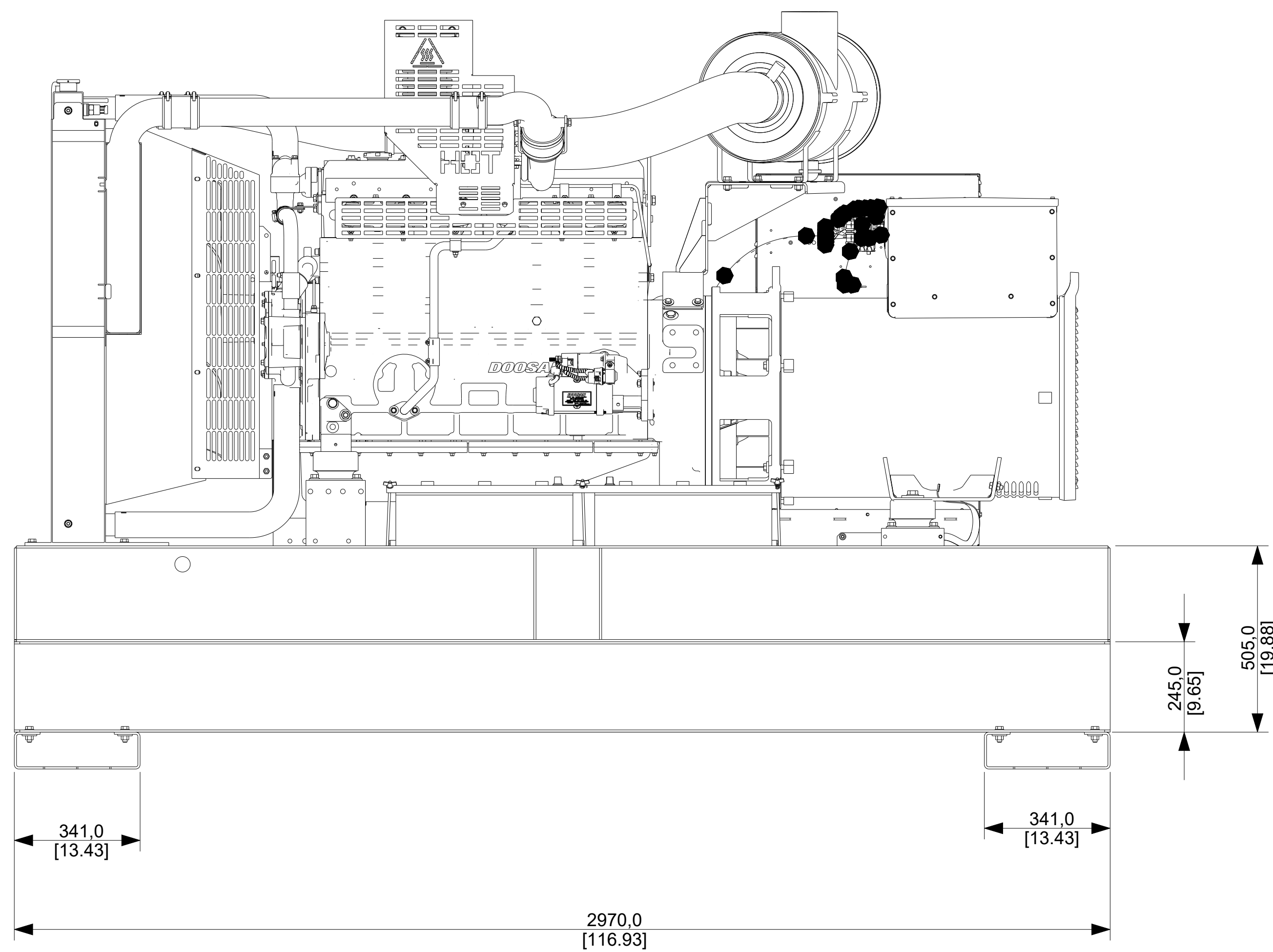
Dimensions de transport / Delivery size

Version châssis avec ou sans réservoir -> Sans bac de rétention  
 With or without tank frame version -> Without retention bund



Dimensions de transport / Delivery size

Version châssis avec ou sans réservoir -> Avec bac de rétention  
 With or without tank frame version -> With retention bund



REV	DATE	ON COMPOSITE DWGS. SEE PART NO. FOR REVISION LEVEL	BY	DO NOT SCALE. REFERENCE THE MODEL FOR ALL UNSPECIFIED DIMENSIONS
-	07/06/22	NEW DRAWING	SP	UNLESS OTHERWISE SPECIFIED - 1) DIMENSIONS ARE IN MILLIMETERS 2) TOLERANCES ARE: NF ISO1300-A4E

APPROVALS	DATE	TITLE	
P. SIMON	07-Jun-22	30001543901	
APPROVED		CAD NO: 30001543901	SCALE: 1:10 SHEET: 3 of 3
		DWG NO: 30001543901	REV: SIZE: A0

CET ASSEMBLAGE OU PIECE DOIT ETRE CONFORME A LA SPECIFICATION PEP-RML-001  
 THIS ASSEMBLY OR PART MUST COMPLY WITH SPECIFICATION PEP-RML-001

UNLESS OTHERWISE SPECIFIED -  
 1) DIMENSIONS ARE IN MILLIMETERS  
 2) TOLERANCES ARE: NF ISO1300-A4E

**KOHLER.** 270 rue de Koenigsm - 26490 Guérande  
 CS 4047 - 29501 Brest Cedex 3 - France

THIS DRAWING IS UNDER PROPERTY OF THE COMPANY.  
 IT CANNOT BE PRINTED, USED OR COMMUNICATED WITHOUT ITS AUTHORIZATION.

30001543901