

MOTEUR / ENGINE	ALTERNATEUR / ALTERNATOR	CHASSIS AVEC RESERVOIR GASOIL / FRAME WITH FUEL TANK					
		MASSE / WEIGHT (kg / lbs) +/- 5%		COG (mm / inch) A vide / Dry		COG (mm / inch) OdM / Wet	
		A vide / Dry	OdM / Wet	CG Horizontal	CG Vertical	CG Horizontal	CG Vertical
DOOSAN DP180LB	KH03546T	4222 / 9307	4926 / 10859	2002 / 78.81	705 / 27.75	2047 / 80.59	646 / 25.43
DOOSAN DP180LB	KH02954T	3995 / 8807	4699 / 10359	2057 / 80.98	704 / 27.71	2096 / 82.51	642 / 25.27
DOOSAN DP180LB	KH02713T	3913 / 8626	4618 / 10180	2071 / 81.53	703 / 27.67	2109 / 83.03	641 / 25.23

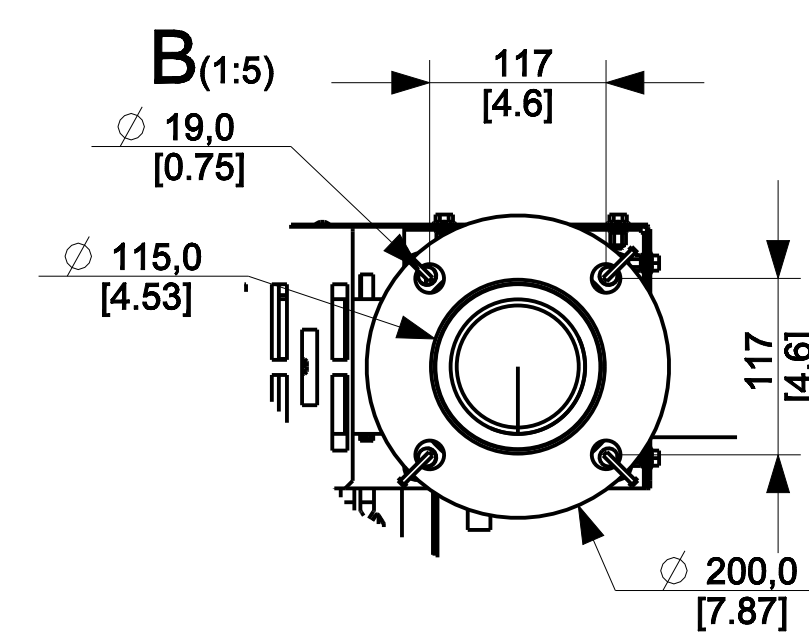
MOTEUR / ENGINE	ALTERNATEUR / ALTERNATOR	CHASSIS SANS RESERVOIR GASOIL / FRAME WITHOUT FUEL TANK					
		MASSE / WEIGHT (kg / lbs) +/- 5%		COG (mm / inch) A vide / Dry		COG (mm / inch) OdM / Wet	
		A vide / Dry	OdM / Wet	CG Horizontal	CG Vertical	CG Horizontal	CG Vertical
DOOSAN DP180LB	KH03546T	3984 / 8783	4138 / 9122	1987 / 78.28	739 / 29.09	1991 / 78.38	739 / 29.09
DOOSAN DP180LB	KH02954T	3758 / 8284	3911 / 8622	2044 / 80.47	739 / 29.09	2046 / 80.55	739 / 29.09
DOOSAN DP180LB	KH02713T	3676 / 8622	3829 / 8441	2059 / 81.06	740 / 29.13	2060 / 81.10	739 / 29.09

(1) Seulement avec châssis réservoir fuel / Only with fuel tank frame

- Voir folios suivants pour informations complémentaires / See following sheets for additional informations.

- Les noms des vues correspondent aux différentes faces du groupe électrogène / The names of the views correspond to the different sides of the generating set.

SORTIE ECHAPPEMENT / EXHAUST OUTLET
(Detail contre-bride / Counter-flange detail)



CET ASSEMBLAGE OU PIECE DOIT ETRE CONFORME A LA SPECIFICATION PEP-RML-001
THIS ASSEMBLY OR PART MUST COMPLY WITH SPECIFICATION PEP-RML-001

REV	DATE	ON COMPOSITE DWGS, SEE PART NO. FOR REVISION LEVEL	BY	DO NOT SCALE, REFERENCE THE MODEL FOR ALL UNSPECIFIED DIMENSIONS
-	07/06/22	NEW DRAWING	SP	UNLESS OTHERWISE SPECIFIED: 1) DIMENSIONS ARE IN MILLIMETERS 2) TOLERANCES ARE: NF ISO1300-6-A4
				FIRST ANGLE PROJECTION
				APPROVALS
				DATE
				SCALE: 1:10
				SHEET: 1 of 3
				REV: -
				SIZE: A0

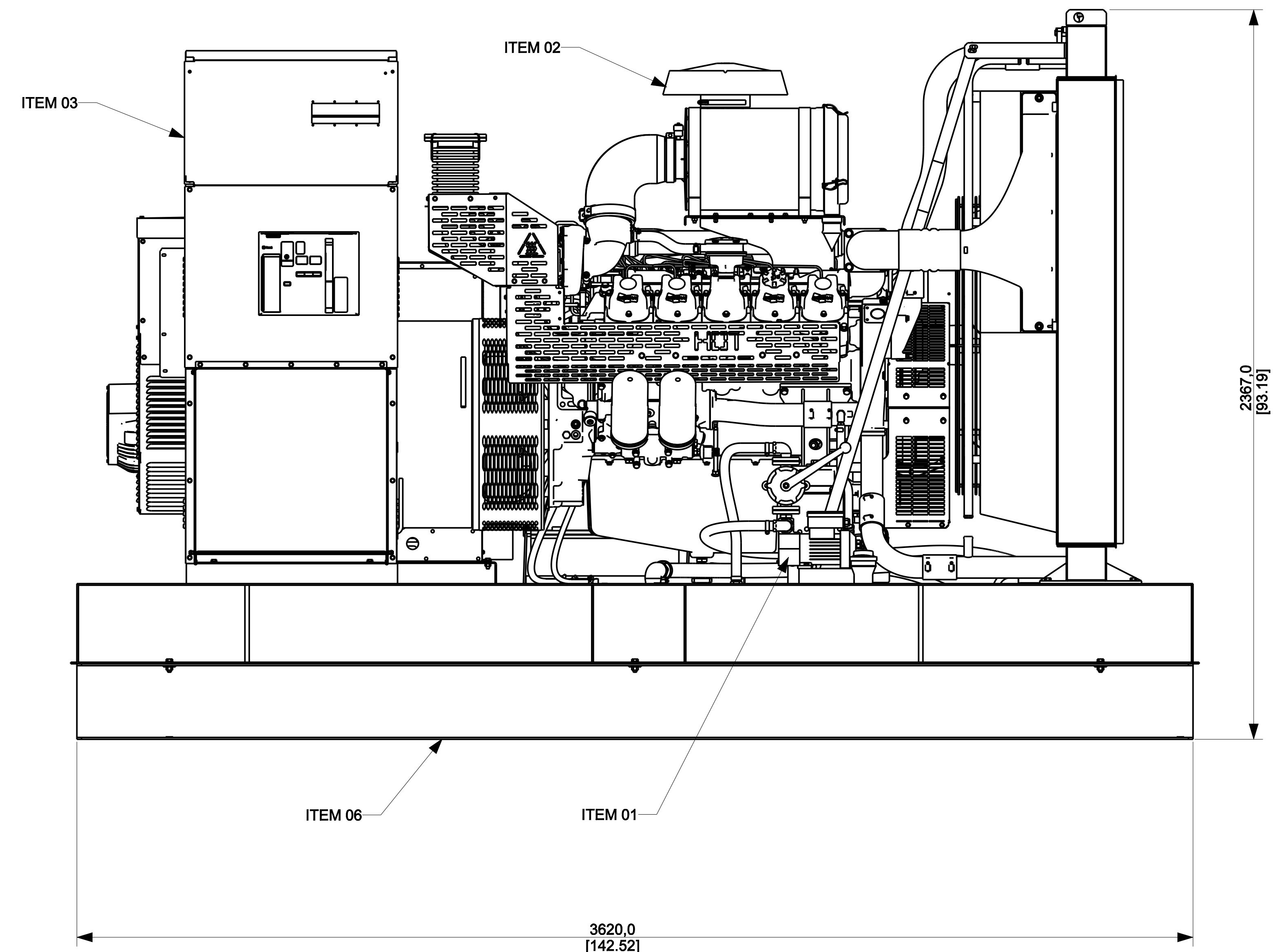
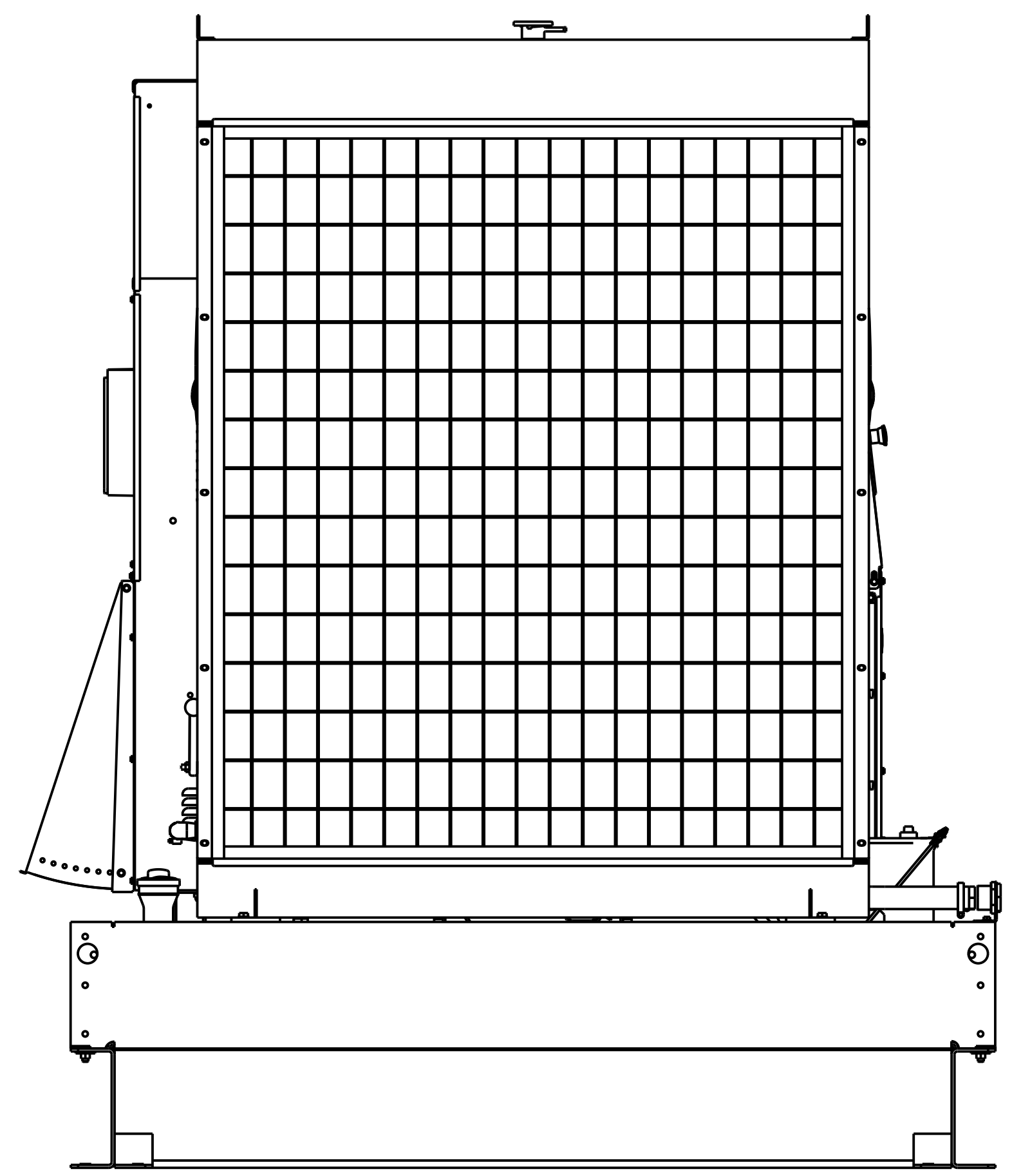
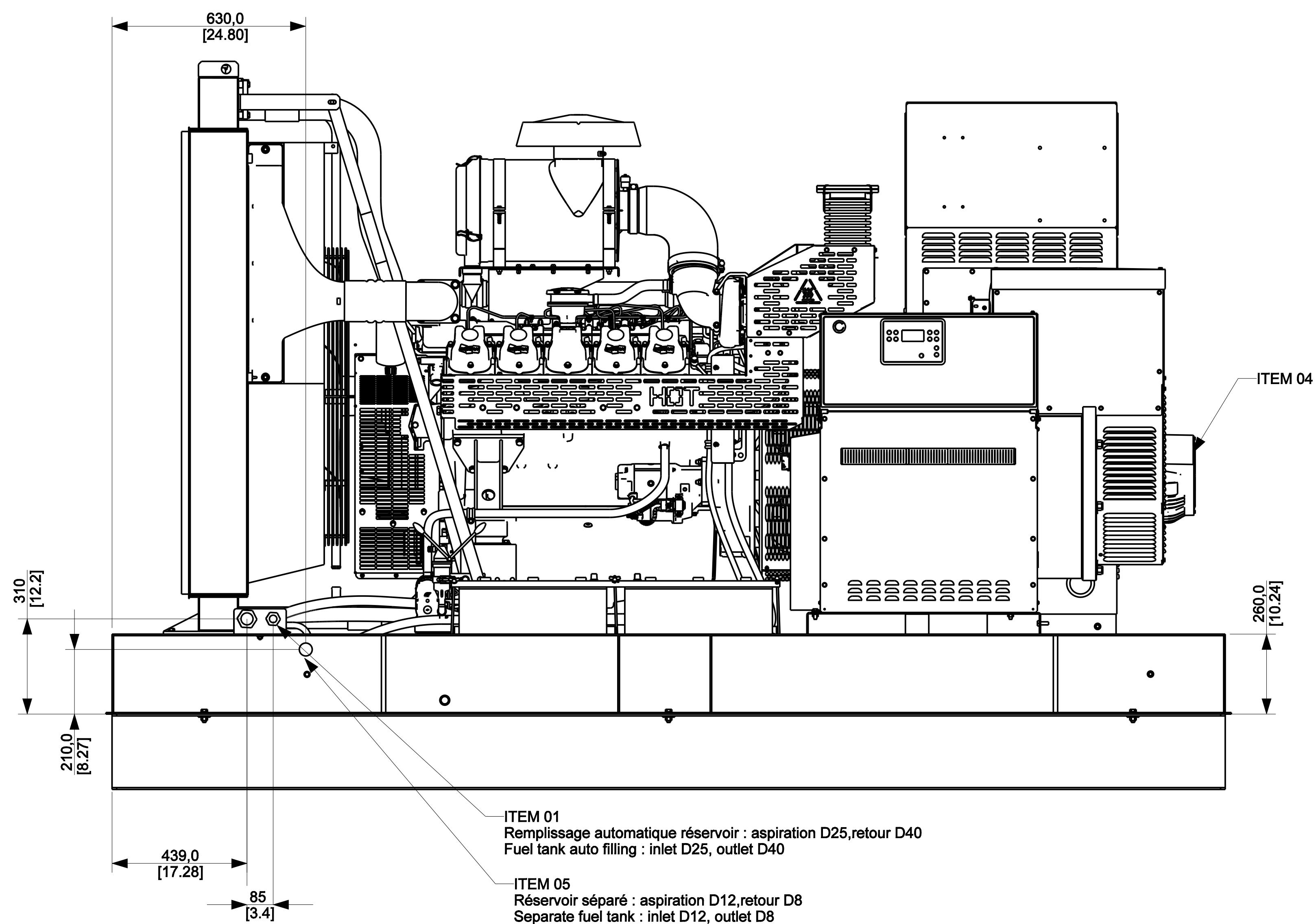
KOHLER 270 rue de Koenigsm - 29490 Guipavas
CS 4007 - 29801 Brest Cedex 3 - France

THIS DRAWING IS UNDER PROPERTY OF THE COMPANY.
IT CANNOT BE PRINTED, USED OR COMMUNICATED WITHOUT ITS AUTHORIZATION.

TITLE: **30001546101**

DRAWN: P. SIMON
CHECKED: ---
APPROVED: ---

DWG NO.: **30001546101**



INFORMATIONS SUPPLEMENTAIRES / ADDITIONAL INFORMATION	ITEM
KIT REMPLISSAGE FUEL AUTOMATIQUE / AUTOMATIQUE FUEL FILL KIT	01
FILTRE A AIR AMBIANCE POUSSIEREUSE / HEAVY DUTY AIR FILTER	02
ARMOIRE AIPR SUPERIEUR / UPPER BRAKER BOX	03
PMG ALTERNATEUR / ALTERNATOR PMG	04
RACCORDEMENT FUEL SEPARÉ / FUEL CONNECTION	05
BAC DE RETENTION / RETENTION BUND	06

CET ASSEMBLAGE OU PIECE DOIT ETRE CONFORME A LA SPECIFICATION PEP-RML-001
THIS ASSEMBLY OR PART MUST COMPLY WITH SPECIFICATION PEP-RML-001

REV	DATE	ON COMPOSITE DWGS, SEE PART NO. FOR REVISION LEVEL	BY	DO NOT SCALE, REFERENCE THE MODEL FOR ALL UNSPECIFIED DIMENSIONS
-	07/06/22	NEW DRAWING	SP	UNLESS OTHERWISE SPECIFIED - 1) DIMENSIONS ARE IN MILLIMETERS 2) TOLERANCES ARE: NF ISO1300-A4

KOHLER. 270 rue de Koenigsm - 29490 Guipavas
CS 40407 - 29801 Brest Cedex 3 - France

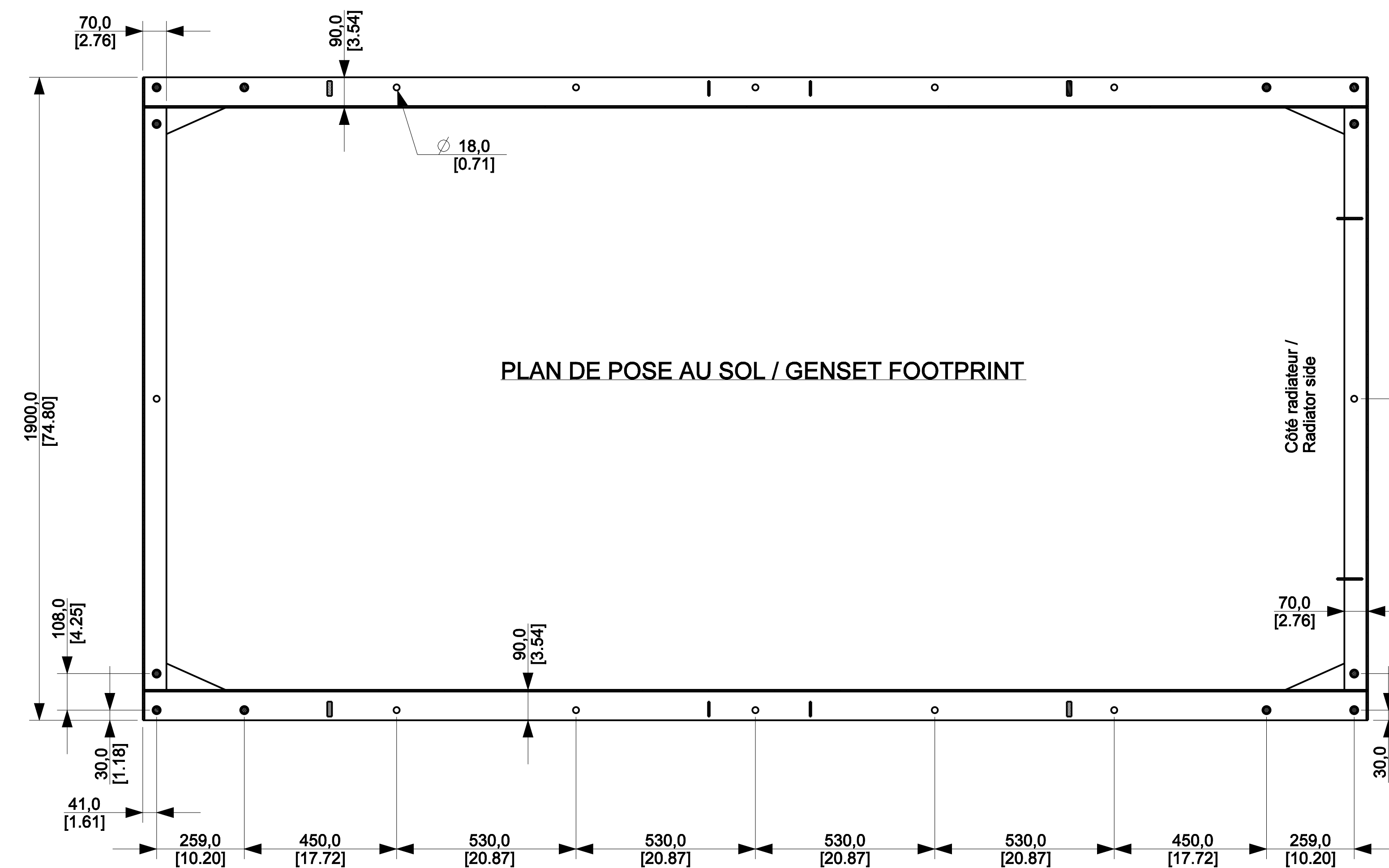
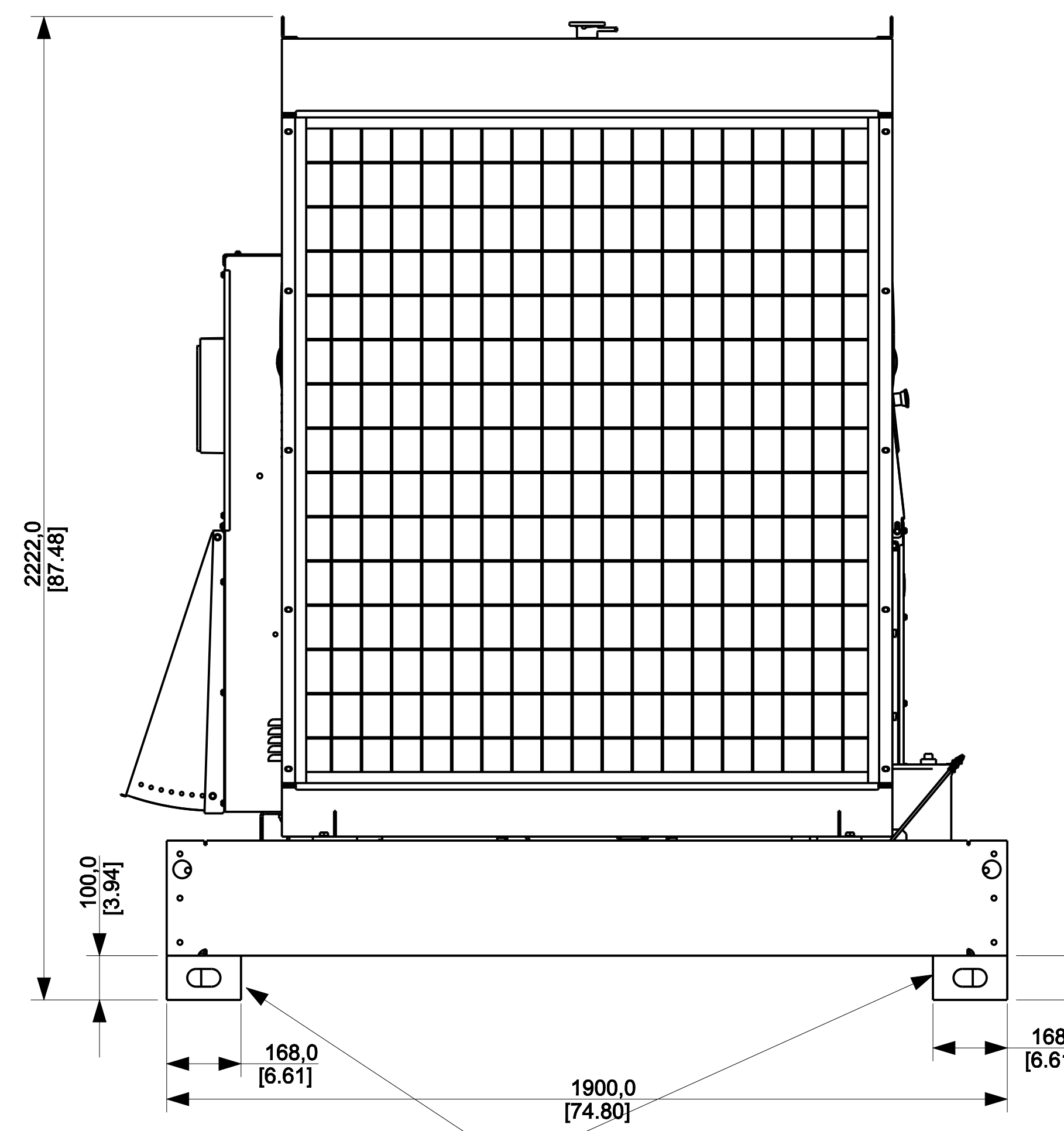
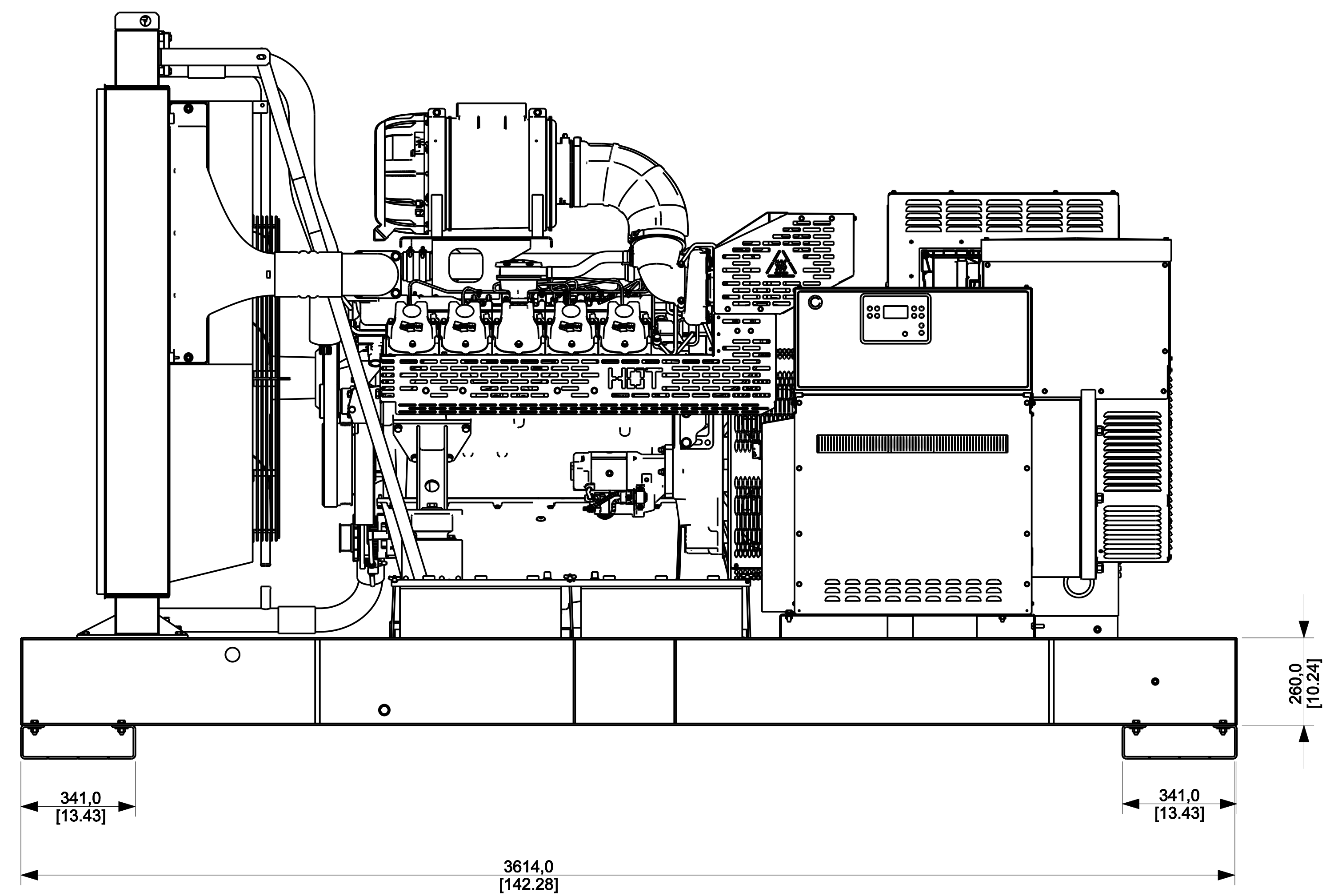
THIS DRAWING IS UNDER PROPERTY OF THE COMPANY.
IT CANNOT PRINTED, USED OR COMMUNICATED WITHOUT ITS AUTHORIZATION.

TITLE: **30001546101**

APPROVALS: P. SIMON DATE: 02-Jun-22 CAD NO: 30001546101 SCALE: 1:10 SHEET: 2 of 3
APPROVED: DWG NO: 30001546101 REV: - SIZE: A0

Dimensions de transport / Delivery size

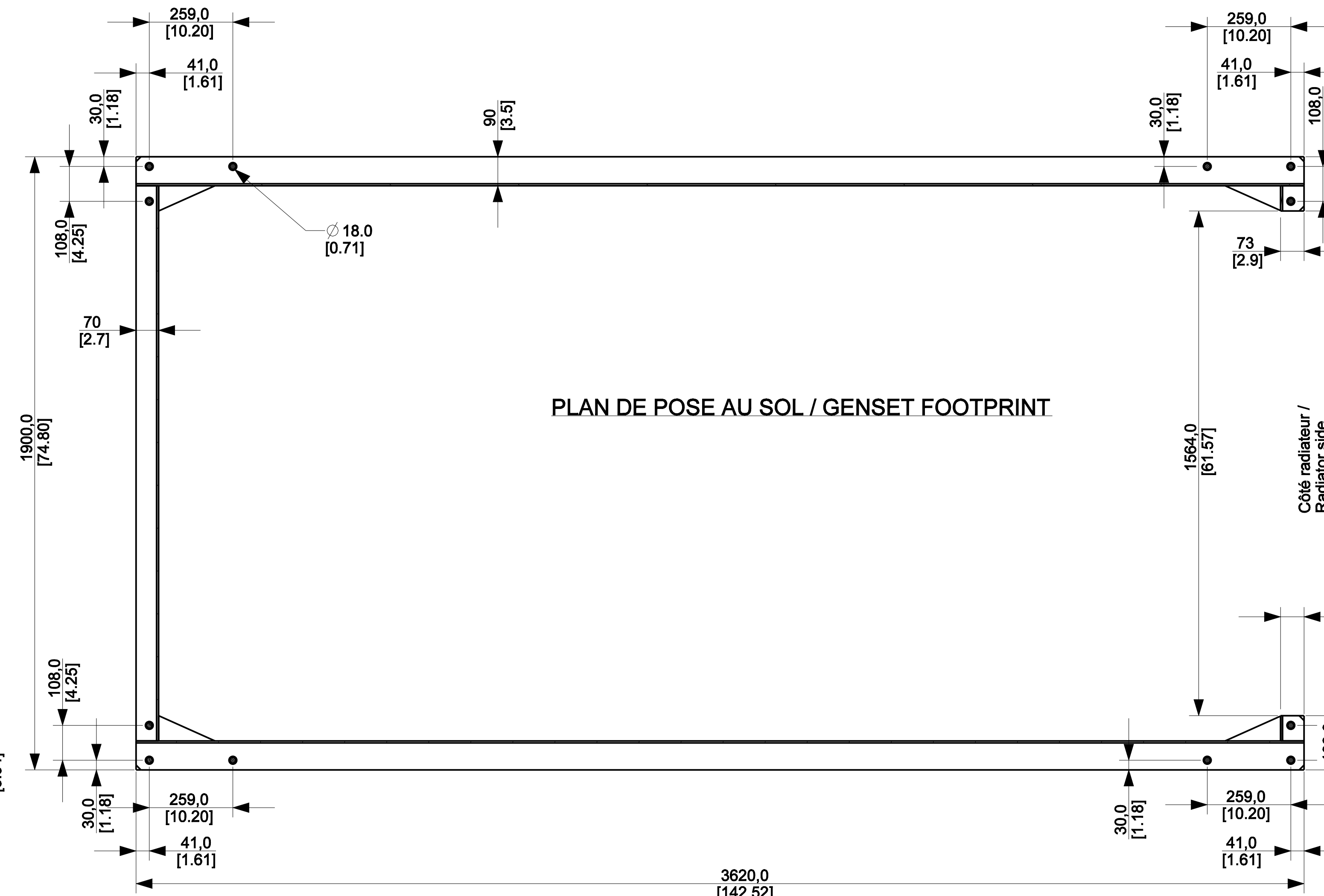
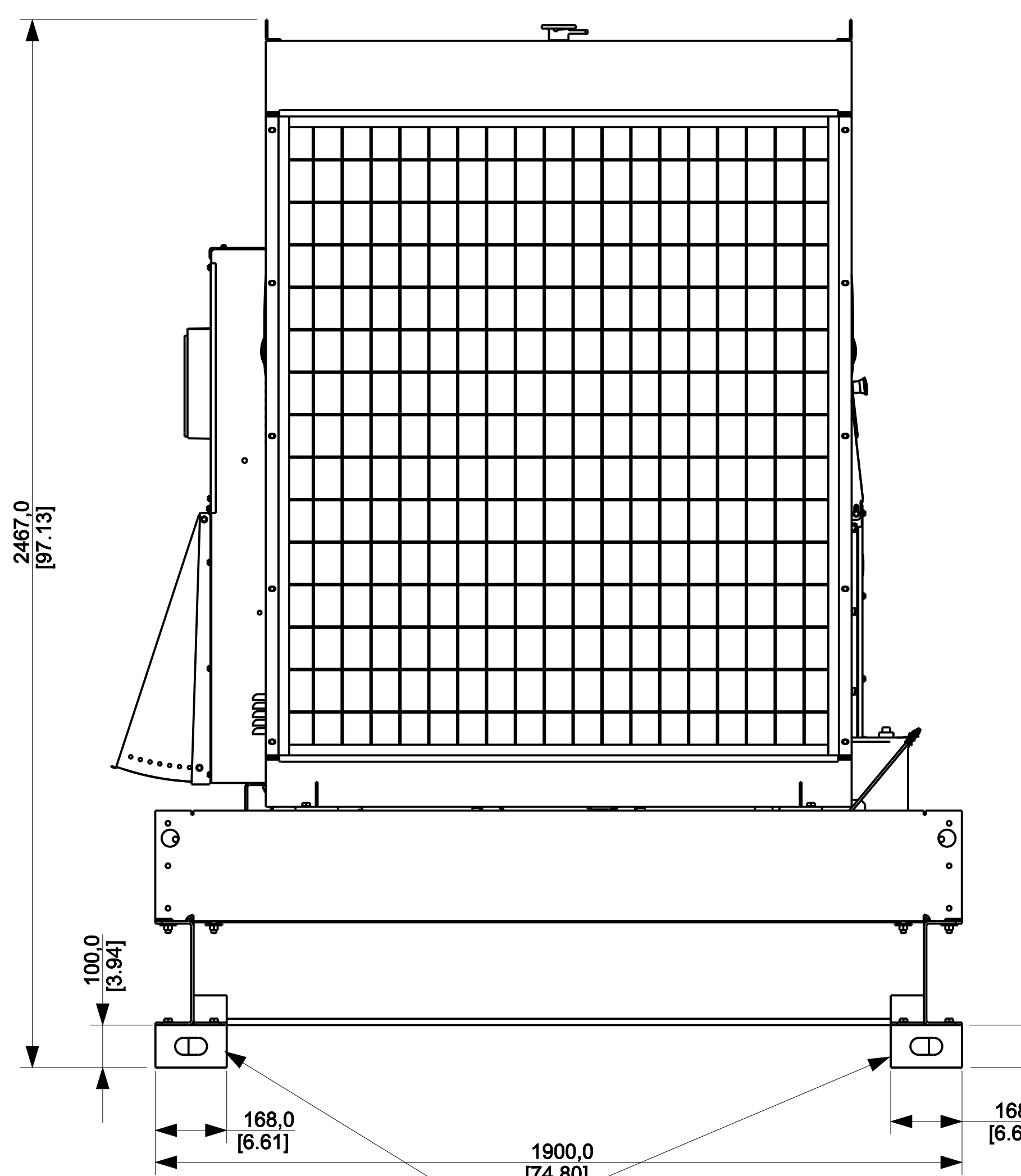
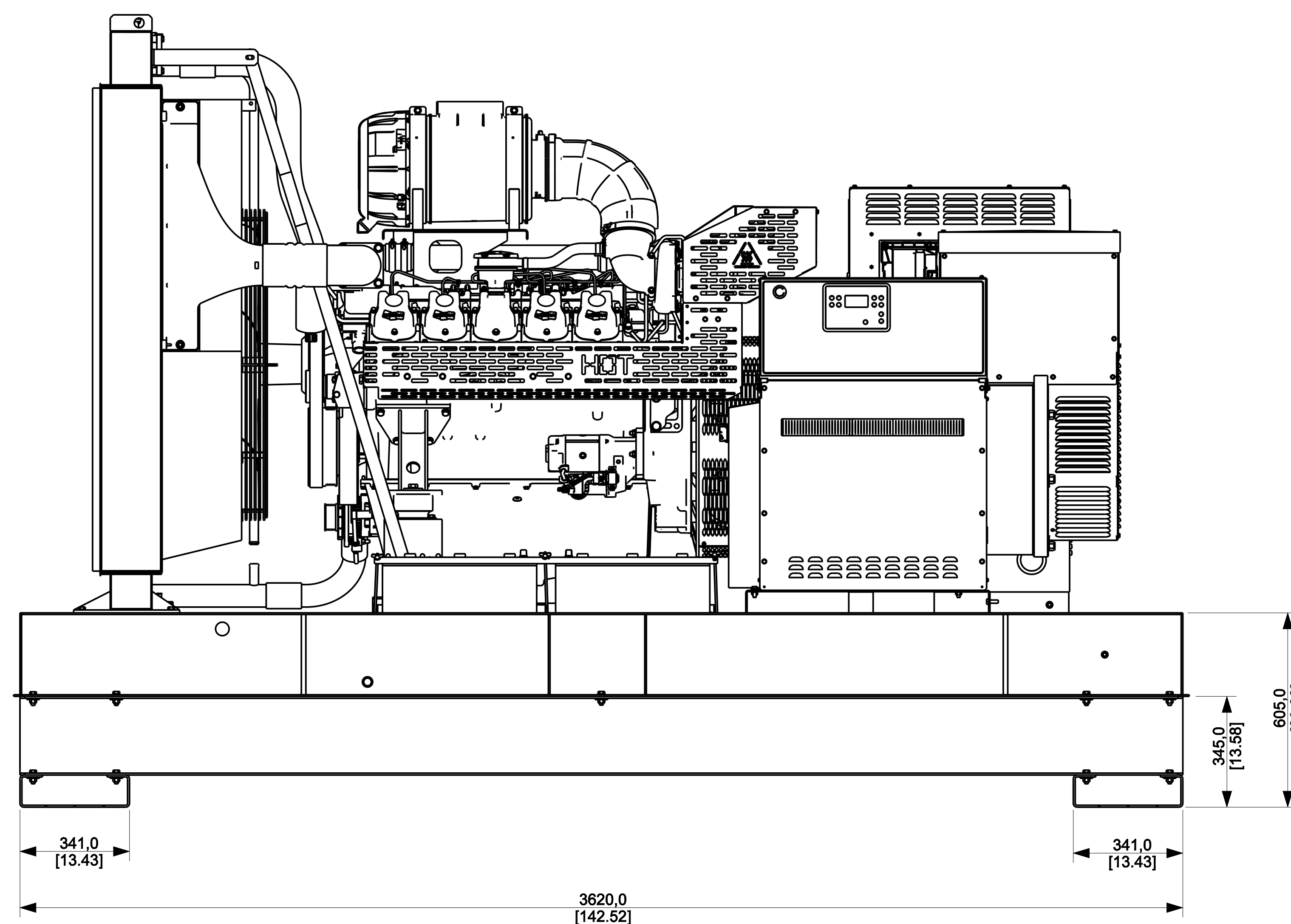
Version châssis avec ou sans réservoir -> Sans bac de rétention
With or without tank frame version -> Without retention bund



Éléments de manutention uniquement pour le transport à démonter pour l'installation du groupe électrogène
Handling devices only for transportation must be unfitted to install the generator set

Dimensions de transport / Delivery size

Version châssis avec ou sans réservoir -> Avec bac de rétention
With or without tank frame version -> With retention bund



Éléments de manutention uniquement pour le transport à démonter pour l'installation du groupe électrogène
Handling devices only for transportation must be unfitted to install the generator set

CET ASSEMBLAGE OU PIECE DOIT ETRE CONFORME A LA SPECIFICATION PEP-RML-001
THIS ASSEMBLY OR PART MUST COMPLY WITH SPECIFICATION PEP-RML-001

REV	DATE	ON COMPOSITE DWGS, SEE PART NO. FOR REVISION LEVEL	BY	DO NOT SCALE, REFERENCE THE MODEL FOR ALL UNSPECIFIED DIMENSIONS
-	07/06/22	NEW DRAWING	SP	UNLESS OTHERWISE SPECIFIED: 1) DIMENSIONS ARE IN MILLIMETERS 2) TOLERANCES ARE: NF B01300-A4-E
				KOHLER 270 rue de Koenigsm - 29490 Guipavas CS 4007 - 2901 Bras Coues - France
				THIS DRAWING IS UNDER PROPERTY OF THE COMPANY. IT CANNOT PRINTED, USED OR COMMUNICATED WITHOUT ITS AUTHORIZATION.
				TITLE: 30001546101
APPROVALS		DATE	CAD NO: 30001546101	SCALE: 1:10 SHEET: 3 of 3
DRAWN: P. SIMON		02-Jun-22		REV: -
CHECKED: -				SIZE: -
APPROVED: -			DWG NO.: 30001546101	A0