

MOTEUR / ENGINE	ALTERNATEUR / ALTERNATOR	CHASSIS SANS RESERVOIR GASOIL / FRAME WITHOUT FUEL TANK					
		MASSE / WEIGHT (kg / lbs) +/- 5%		COG (mm / inch) A vide / Dry		COG (mm / inch) OdM / Wet	
		A vide / Dry	OdM / Wet	CG Horizontal	CG Vertical	CG Horizontal	CG Vertical
DOOSAN P126 TI / TI-II	KH01381T	3050 / 6724	3126 / 6891	2918 / 114.88	868 / 34.17	2926 / 115.19	863 / 33.97
DOOSAN P126 TI / TI-II	KH01721T	3168 / 6984	3244 / 7151	2863 / 112.71	860 / 33.85	2863 / 112.71	856 / 33.70
DOOSAN P126 TI / TI-II	KH02214T	3292 / 7257	3368 / 7425	2843 / 111.92	853 / 33.58	2853 / 112.32	849 / 33.42

MOTEUR / ENGINE	ALTERNATEUR / ALTERNATOR	CHASSIS AVEC RESERVOIR GASOIL / FRAME WITH FUEL TANK					
		MASSE / WEIGHT (kg / lbs) +/- 5%		COG (mm / inch) A vide / Dry		COG (mm / inch) OdM / Wet	
		A vide / Dry	OdM / Wet	CG Horizontal	CG Vertical	CG Horizontal	CG Vertical
DOOSAN P126 TI / TI-II	KH01381T	3171 / 6990	3583 / 7899	2985 / 117.51	784 / 30.86	2992 / 117.79	724 / 28.50
DOOSAN P126 TI / TI-II	KH01721T	3289 / 7250	3701 / 8159	2929 / 115.31	780 / 30.70	2935 / 115.55	722 / 28.42
DOOSAN P126 TI / TI-II	KH02214T	3413 / 7524	3825 / 8432	2908 / 114.48	775 / 30.51	2923 / 115.07	720 / 28.34

- Voir folios suivants pour informations complémentaires / See following sheets for additional informations.
- Les noms des vues correspondent aux différentes faces du groupe électrogène / The names of the views correspond to the different sides of the generating set.

REV	DATE	ON COMPOSITE DWGS, SEE PART NO. FOR REVISION LEVEL	BY	DO NOT SCALE. REFERENCE THE MODEL FOR ALL UNSPECIFIED DIMENSIONS
-	28MAY2022	NEW DRAWING	RDG	UNLESS OTHERWISE SPECIFIED: 1) DIMENSIONS ARE IN MILLIMETERS 2) TOLERANCES ARE: F0/0.15/0.4/1.0/1.6/2.5/4.0/6.3/10/16/25/40/63/100/160/250/400/630/1000/1600/2500/4000/6300/10000
				<p>APPROVALS</p> <p>DATE: 28-May-22</p> <p>CAD NO.: 30001543501NGC</p> <p>DWG NO.: 30001544101</p>
				<p>SCALE: 1:12.5</p> <p>SHEET: 1 of 3</p> <p>REV: -</p> <p>SIZE: A0</p>

CET ASSEMBLAGE OU PIECE DOIT ETRE CONFORME A LA SPECIFICATION PEP-RML-001
THIS ASSEMBLY OR PART MUST COMPLY WITH SPECIFICATION PEP-RML-001

UNLESS OTHERWISE SPECIFIED:
1) DIMENSIONS ARE IN MILLIMETERS
2) TOLERANCES ARE: F0/0.15/0.4/1.0/1.6/2.5/4.0/6.3/10/16/25/40/63/100/160/250/400/630/1000/1600/2500/4000/6300/10000

DO NOT SCALE. REFERENCE THE MODEL FOR ALL UNSPECIFIED DIMENSIONS

UNLESS OTHERWISE SPECIFIED:
1) DIMENSIONS ARE IN MILLIMETERS
2) TOLERANCES ARE: F0/0.15/0.4/1.0/1.6/2.5/4.0/6.3/10/16/25/40/63/100/160/250/400/630/1000/1600/2500/4000/6300/10000

APPROVALS

DATE: 28-May-22

CAD NO.: 30001543501NGC

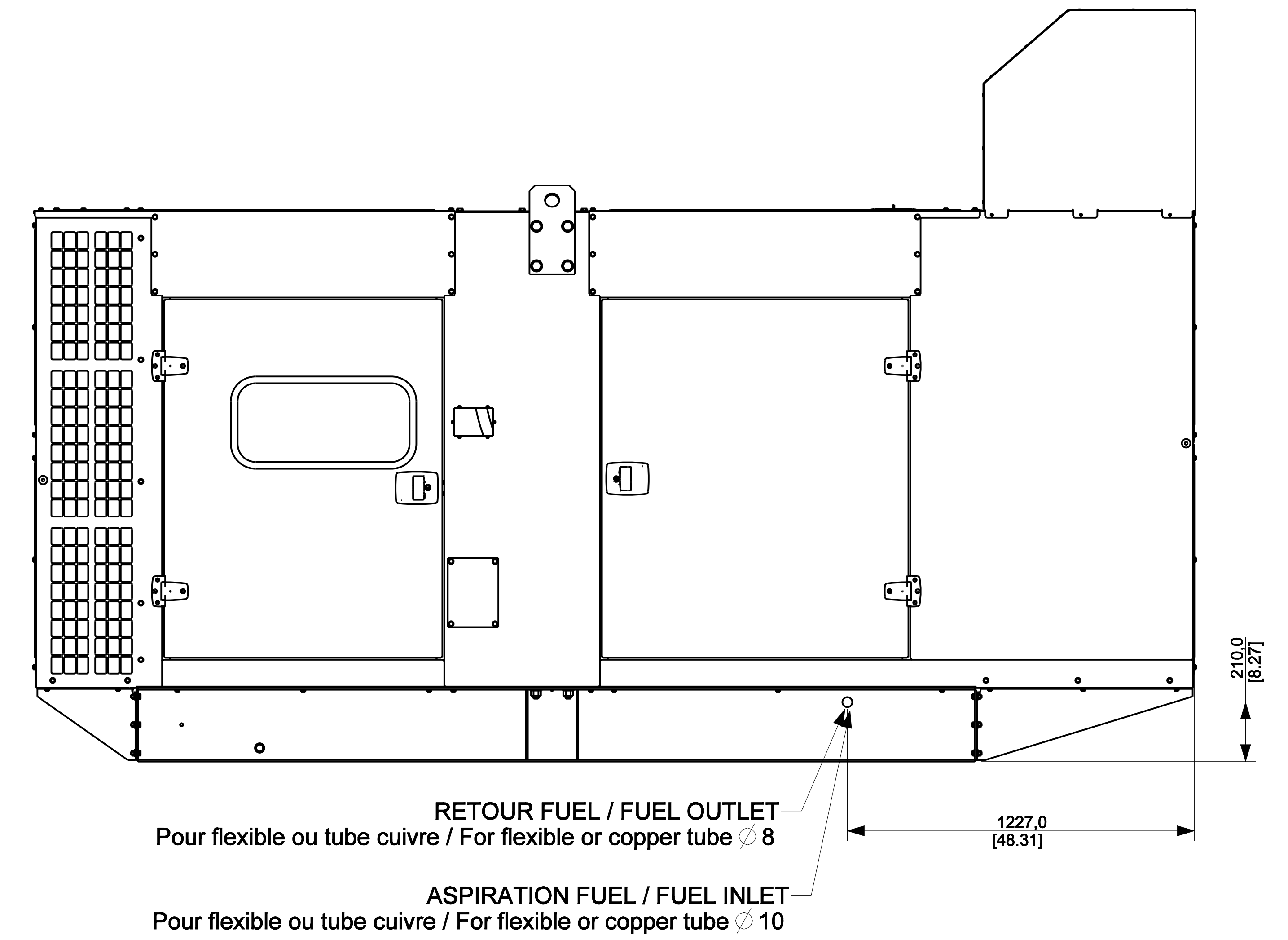
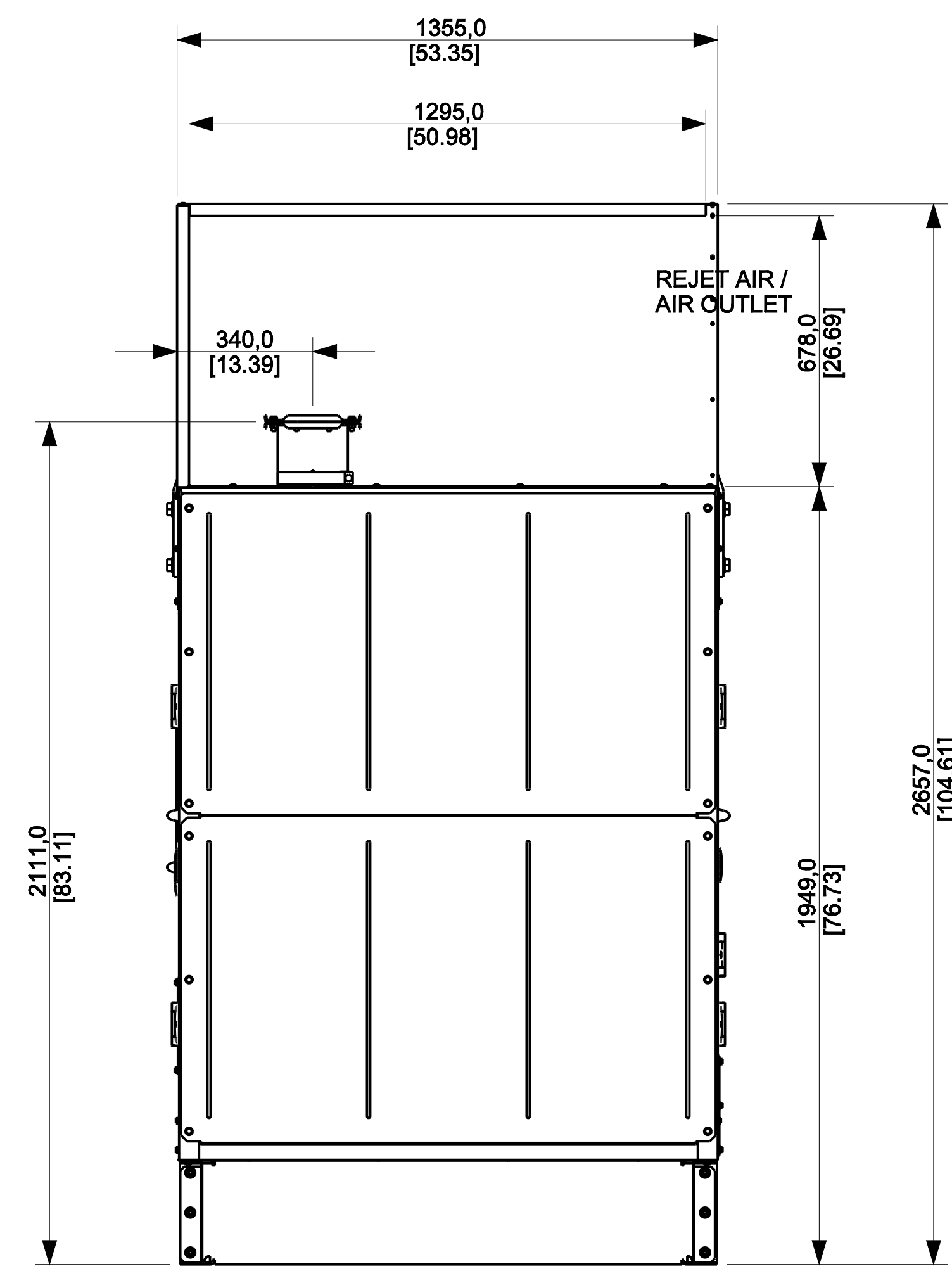
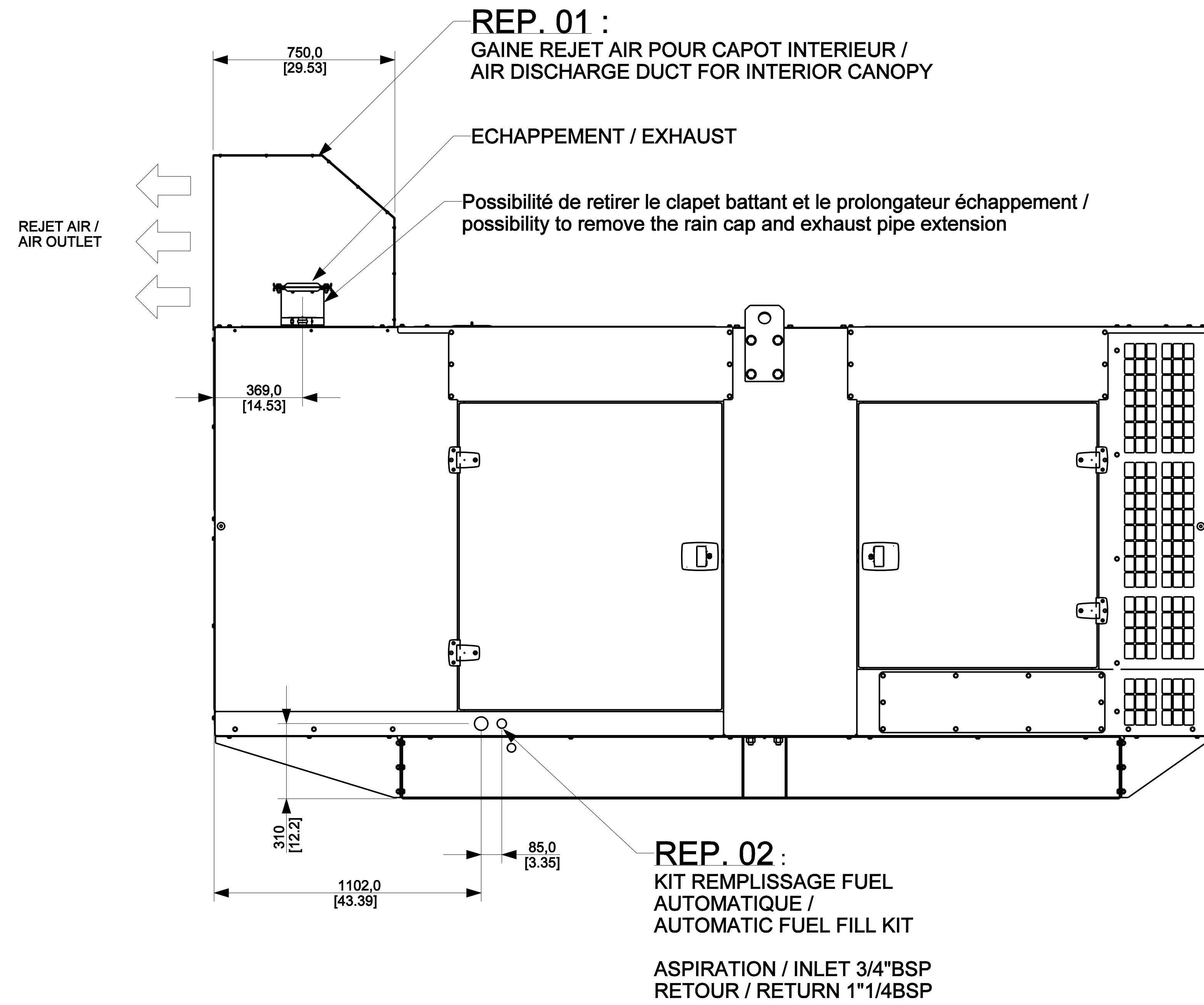
DWG NO.: 30001544101

SCALE: 1:12.5

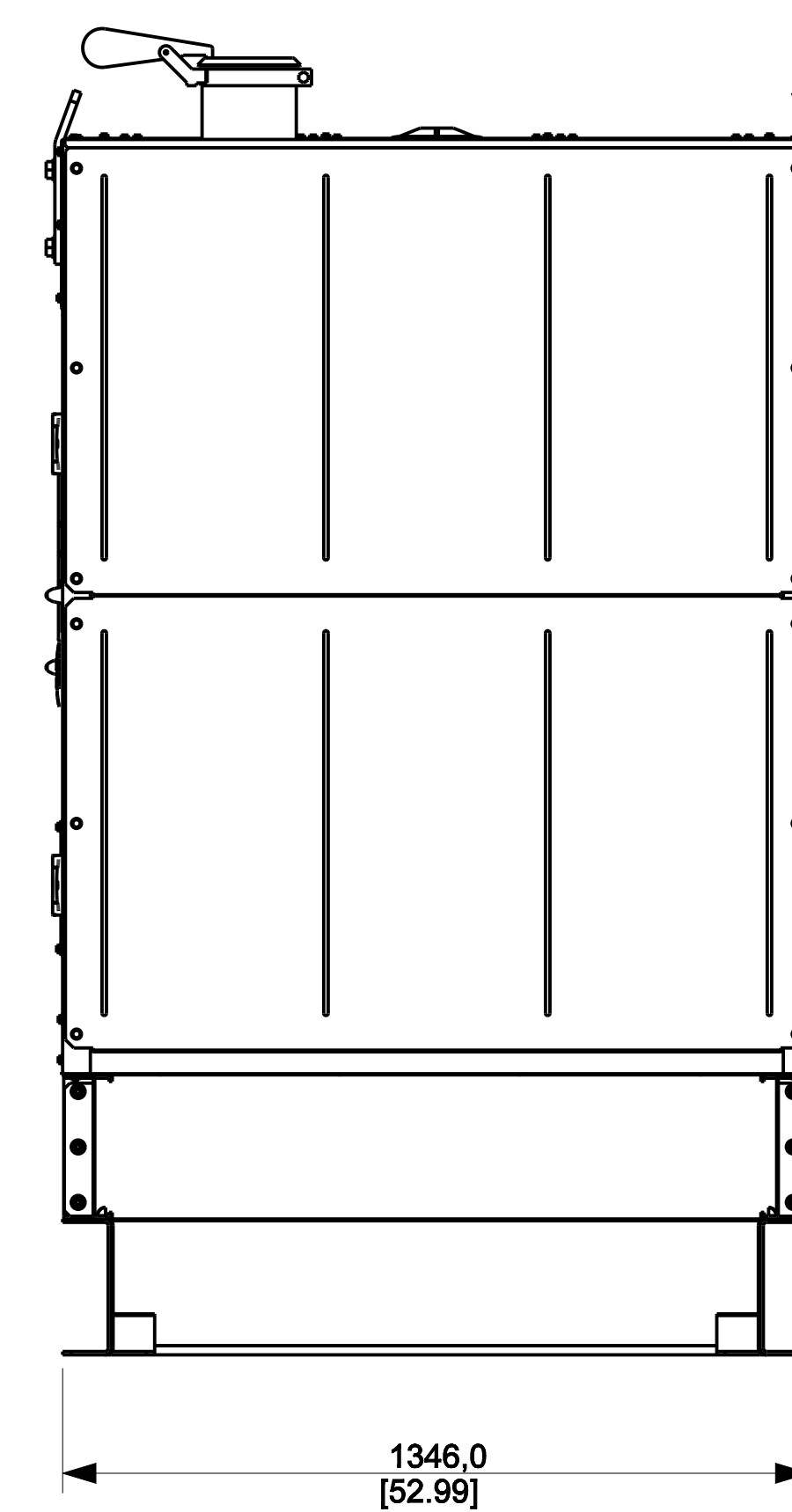
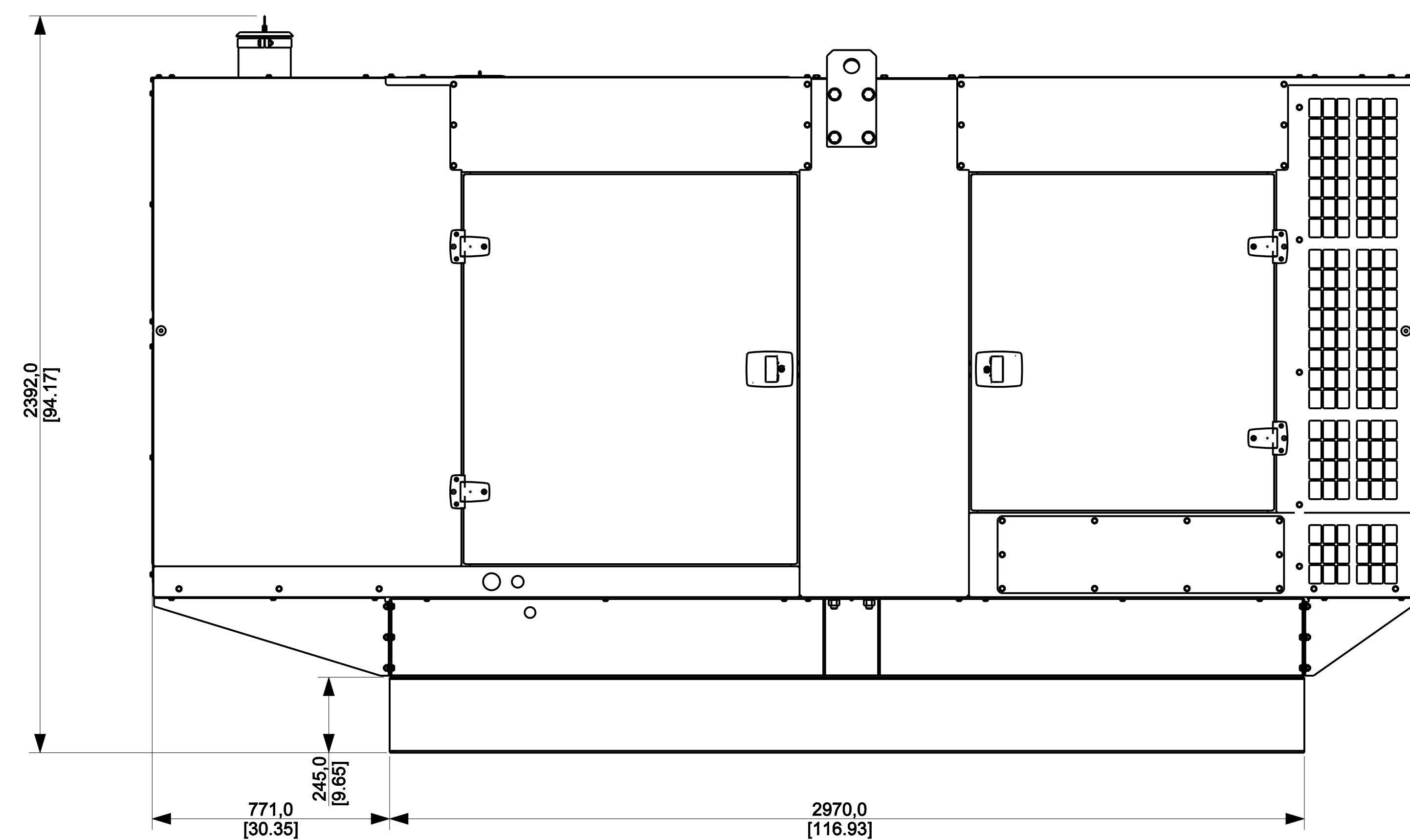
SHEET: 1 of 3

REV: -

SIZE: A0



REP. 04:
 BAC DE RETENTION / RETENTION BUND



INFORMATIONS SUPPLEMENTAIRES / ADDITIONAL INFORMATION	REP.
GAINÉ REJET AIR CAPOT INTERIEUR / AIR DISCHARGE DUCT FOR INTERIOR CANOPY	01
KIT REMPLISSAGE FUEL AUTOMATIQUE / AUTOMATIC FUEL FILL KIT	02
RACCORDEMENT FUEL SEPARÉ POUR CHASSIS SANS RESERVOIR GASOIL / FUEL CONNECTION FOR FRAME WITHOUT FUEL TANK	03
BAC DE RETENTION / RETENTION BUND	04

REV	DATE	ON COMPOSITE DWGS, SEE PART NO. FOR REVISION LEVEL	BY	DO NOT SCALE, REFERENCE THE MODEL FOR ALL UNSPECIFIED DIMENSIONS
-	28MAY2022	NEW DRAWING		

UNLESS OTHERWISE SPECIFIED:
 1) DIMENSIONS ARE IN MILLIMETERS
 2) TOLERANCES ARE: MF 50/1300-A4:

KOHLER 270 rue de Koenigsm - 29490 Guipavas
 CS 4007 - 29011 Saint Guiv'ac - France

THIS DRAWING IS UNDER PROPERTY OF THE COMPANY.
 IT CANNOT PRINTED, USED OR COMMUNICATED WITHOUT ITS AUTHORIZATION.

TITLE: **PLAN-GE -DO-P126TI/TI-II-EX4-**

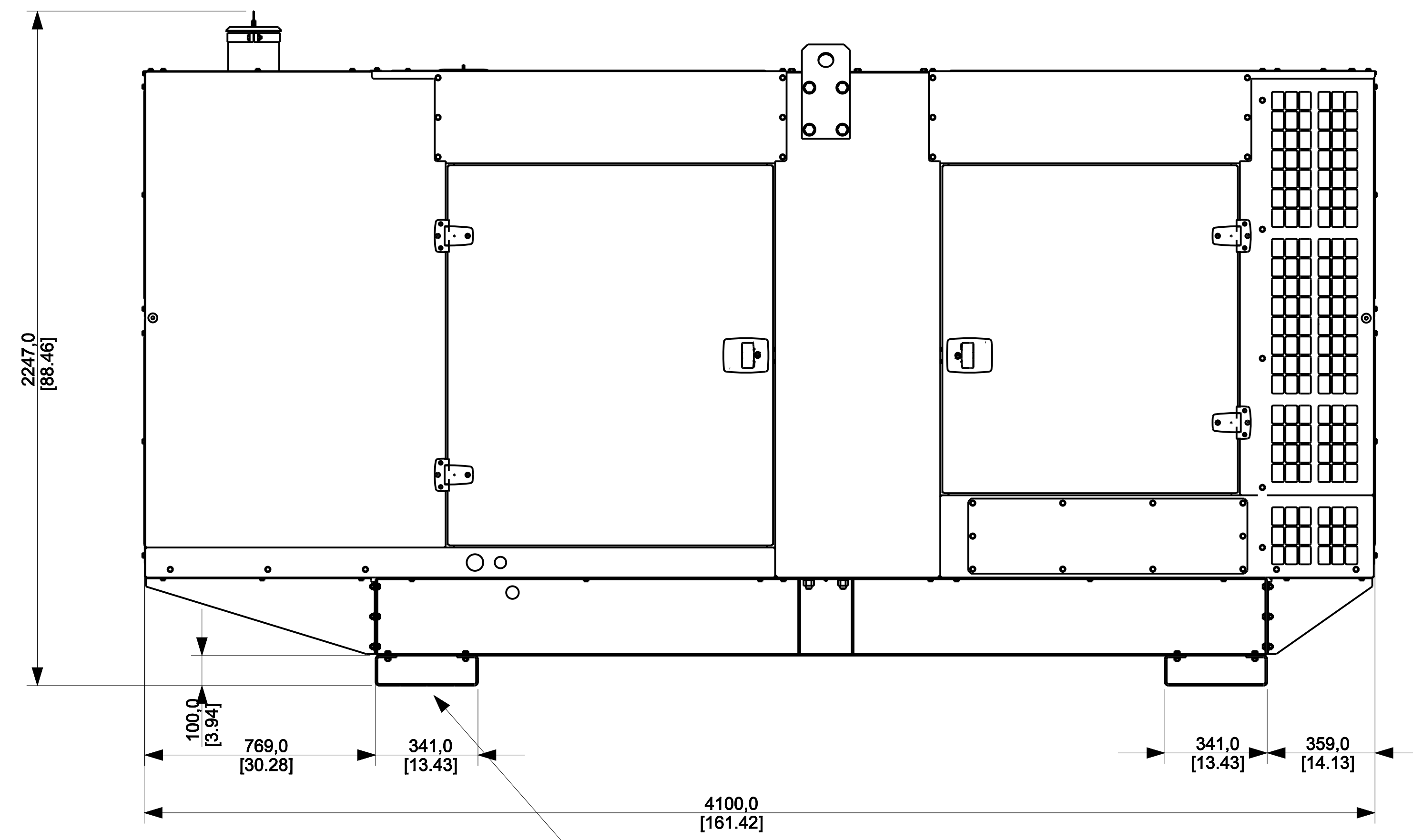
APPROVALS: _____ DATE: 28-May-22
 DRAWN: R. GRAYTOLE
 CHECKED: _____
 APPROVED: _____

CAD NO: 30001543501NGC SCALE: 1:12 SHEET: 2 of 3
 DWG NO.: 30001544101 REV: 1 SIZE: A0

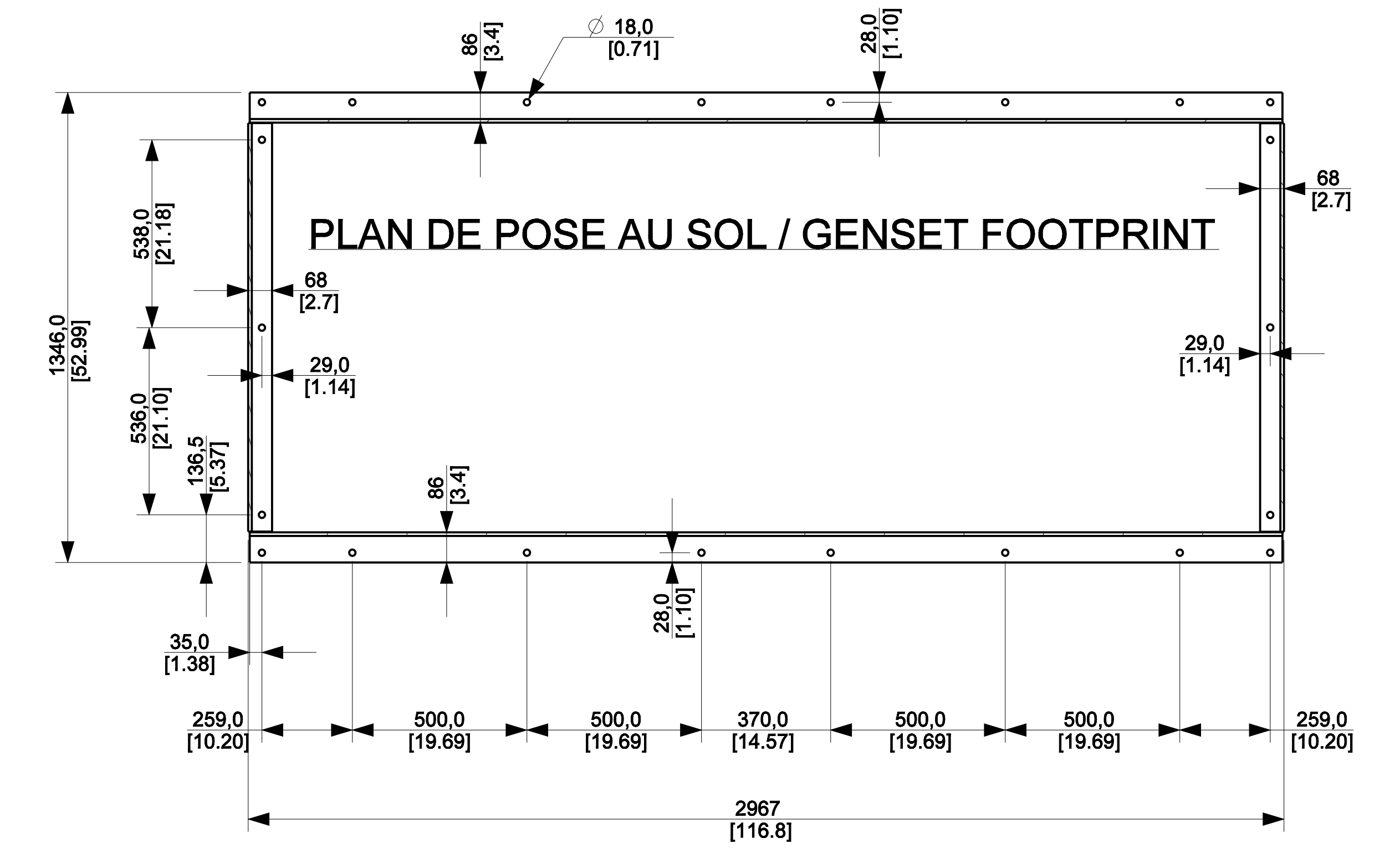
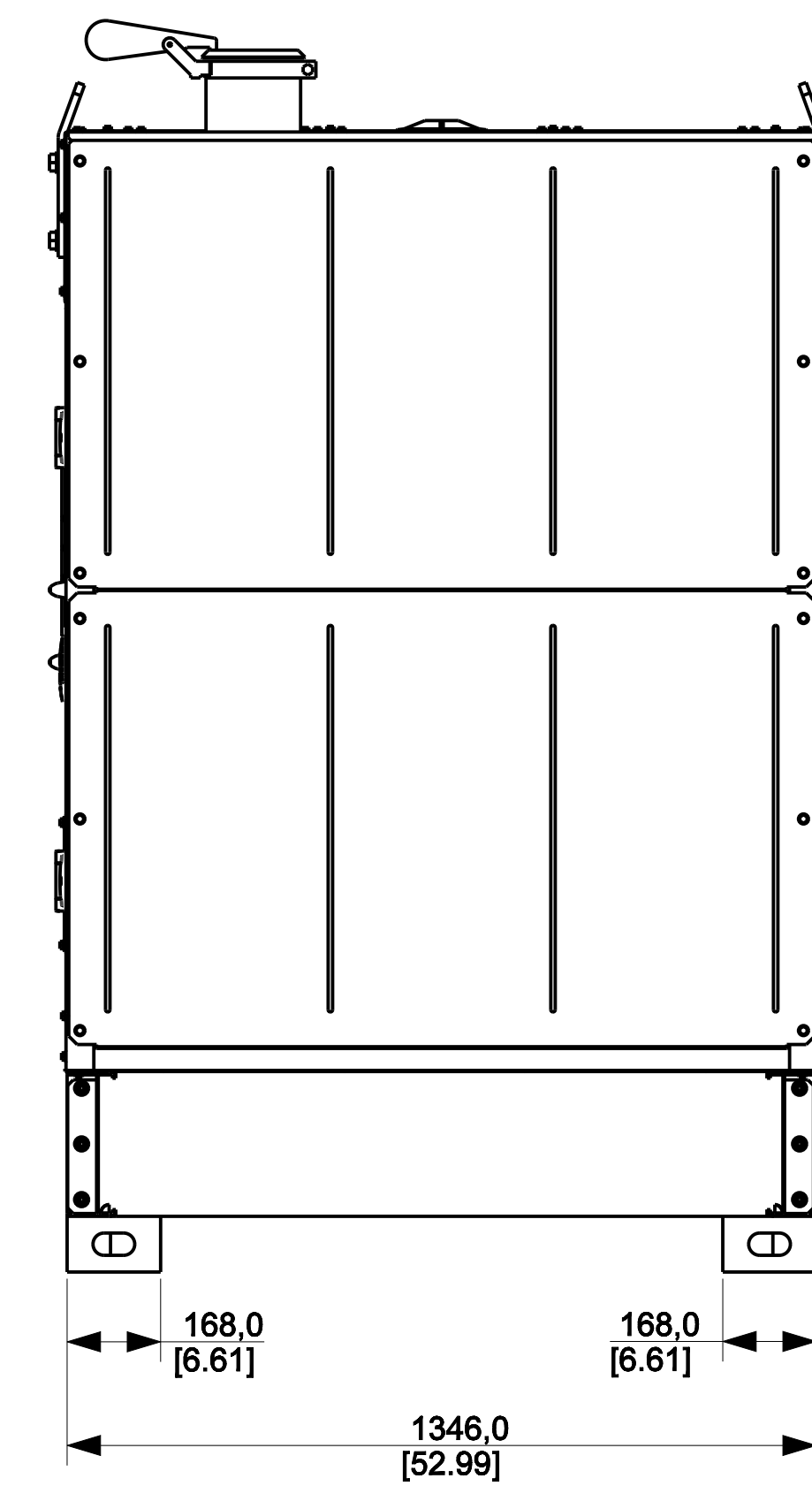
CET ASSEMBLAGE OU PIECE DOIT ETRE CONFORME A LA SPECIFICATION PEP-RML-001
 THIS ASSEMBLY OR PART MUST COMPLY WITH SPECIFICATION PEP-RML-001

VERSION CHASSIS AVEC OU SANS RESERVOIR, SANS BAC DE RETENTION /
WITH OR WITHOUT TANK FRAME VERSION, WITHOUT RETENTION BUND

DIMENSIONS DE TRANSPORT /
OVERALL DIMENSIONS FOR TRANSPORT

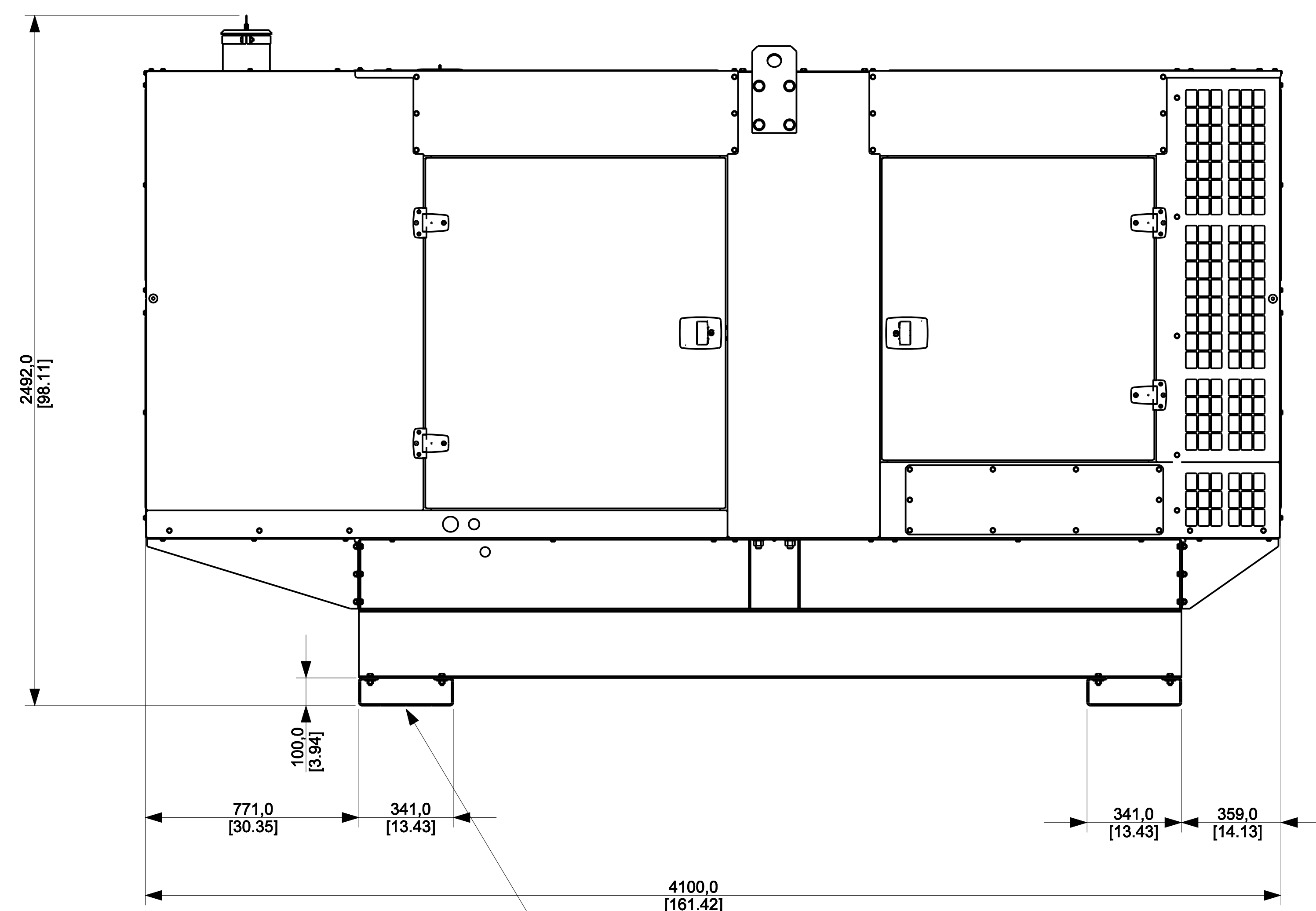


4 pieds de transport, à démonter pour installer le groupe /
4 transport feet, to be removed to install of the genset

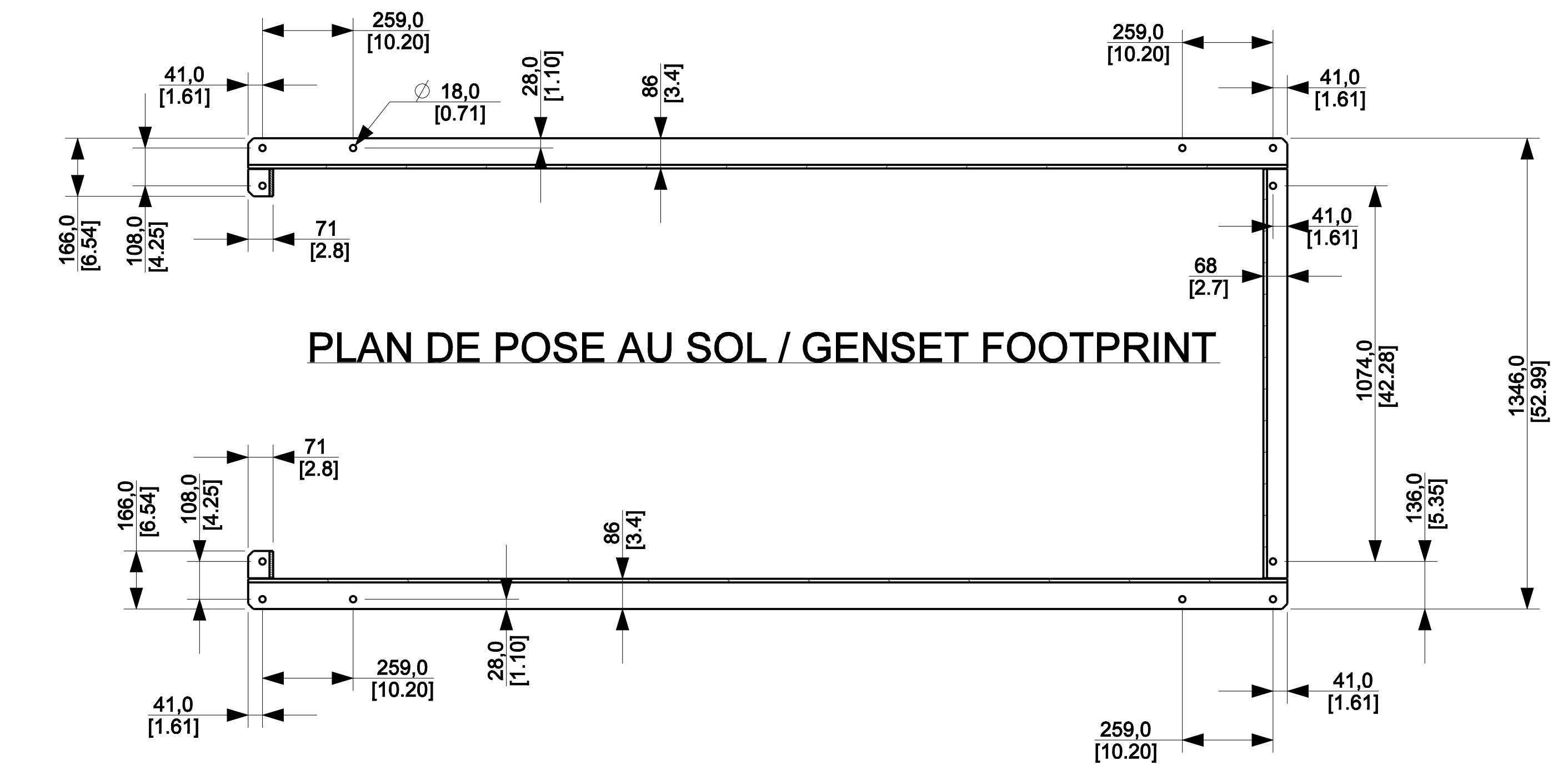
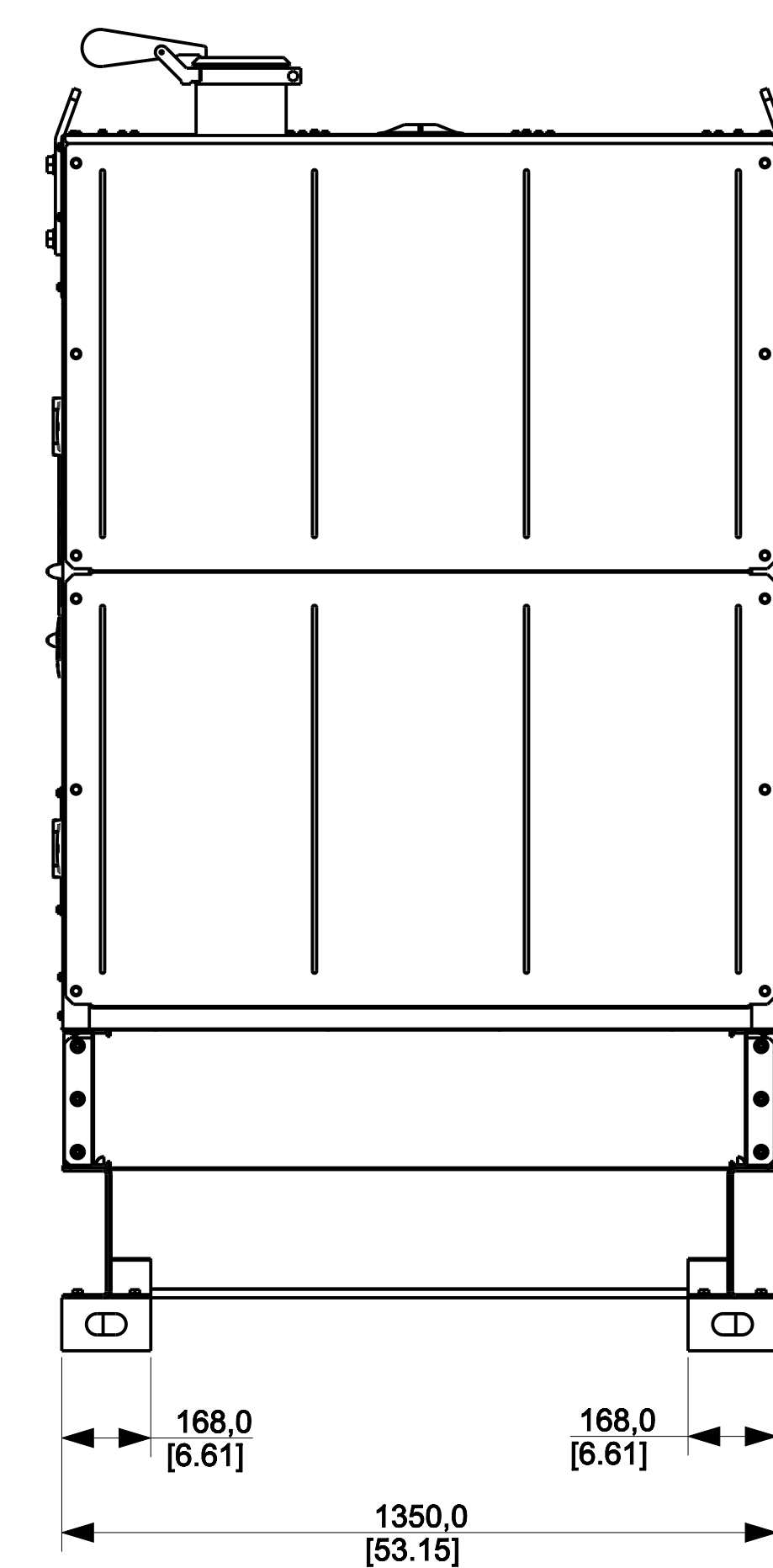


VERSION CHASSIS AVEC OU SANS RESERVOIR, AVEC BAC DE RETENTION /
WITH OR WITHOUT TANK FRAME VERSION, WITH RETENTION BUND

DIMENSIONS DE TRANSPORT /
OVERALL DIMENSIONS FOR TRANSPORT



4 pieds de transport, à démonter pour installer le groupe /
4 transport feet, to be removed to install of the genset



REV	DATE	ON COMPOSITE DWGS, SEE PART NO. FOR REVISION LEVEL	BY	DO NOT SCALE. REFERENCE THE MODEL FOR ALL UNSPECIFIED DIMENSIONS
-	26MAY2022	NEW DRAWING	RDG	UNLESS OTHERWISE SPECIFIED - 1) DIMENSIONS ARE IN MILLIMETERS 2) TOLERANCES ARE: NF 801300-A4:
				KOHLER 270 rue de Koenigsm - 28490 Guvranes CS 4007 - 28011 Saint-Claude 3 - France
				THIS DRAWING IS UNDER PROPERTY OF THE COMPANY. IT CANNOT BE PRINTED, USED OR COMMUNICATED WITHOUT ITS AUTHORIZATION.
				TITLE: PLAN-GE -DO-P126TI/TI-II-EX4-
				CAD NO: 30001543501NGC SCALE: 1:12 SHEET: 3 of 3
				DWG NO.: 30001544101 REV: SIZE: A0