

INDUSTRIAL RANGE

50 HZ 60 HZ

6 KVA - 830 KVA | 5 KW - 750 KW

MK-PP-IN-DO-EN-202



KOHLER[®]
IN POWER. SINCE 1920.

SINCE
1920

A GLOBAL ICON
NEARLY 150 YEARS
IN THE MAKING

Founded in 1873 by an Austrian immigrant, John Michael Kohler, Kohler Co. is one of America's oldest and most successful private companies. With its head office in Kohler, Wisconsin (USA), Kohler Power currently operates five facilities throughout the world for designing, manufacturing and installing engines, generators and power supply solutions. Since day one, Kohler has set the standard for design and technology, establishing a global reputation for premium products.

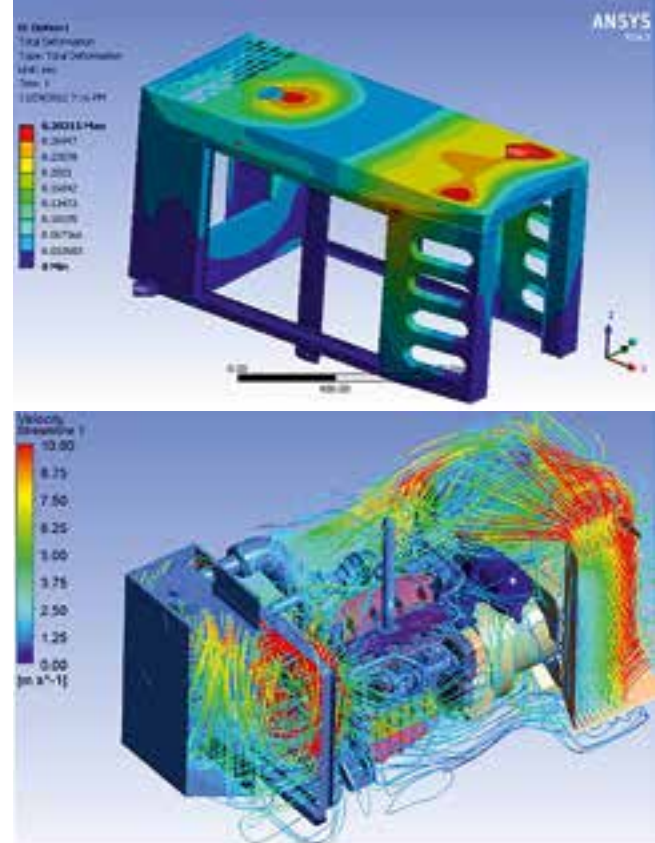


KOHLER® AND SDMO® OUR STORY

A global force in power solutions since 1920, Kohler is committed to reliable, intelligent products, advanced engineering and responsive after-sales support. Over the years, we've extended our global reach, acquiring SDMO Industries, a worldwide leader known for its high quality generator sets.

Together, we've built on the legacy of two leading brands to create one of the largest generator manufacturers in the world and maintained an unwavering focus on reliable power systems and innovation. Our R&D, manufacturing, sales, service and distribution facilities span the globe, from the Group's home in the USA to Brest, France. And while we've maintained two world-renowned brand names, today KOHLER and SDMO operate as an integrated global organization that's leading the way in design and manufacturing.

We produce integrated industrial power supply systems for a variety of applications (prime, continuous and emergency) in all building types around the world. From datacenters and hospitals to water treatment facilities and government offices. With a deep understanding of your industry, we excel in designing customized power systems that simplify your most complex challenges.



KOHLER EXPERTISE BENEFITING THE INDUSTRIAL RANGE

KOHLER invests heavily in research and development, with a view to anticipating demand and offering you the most innovative and high-performance energy solutions on the market.



DESIGN OFFICES USING THE LATEST TECHNICAL INNOVATIONS

The Research & Development cell is home to 140 specialist mechanical, electrical and electronic engineers. The teams are able to anticipate future requirements, and receive ongoing training in the latest 3D modeling, structural calculation, and structural constraints tools, and thermodynamic, acoustic and electrical simulators. This guarantees that the energy solutions you adopt will be at the leading edge of innovation, offering the best performance on the market.

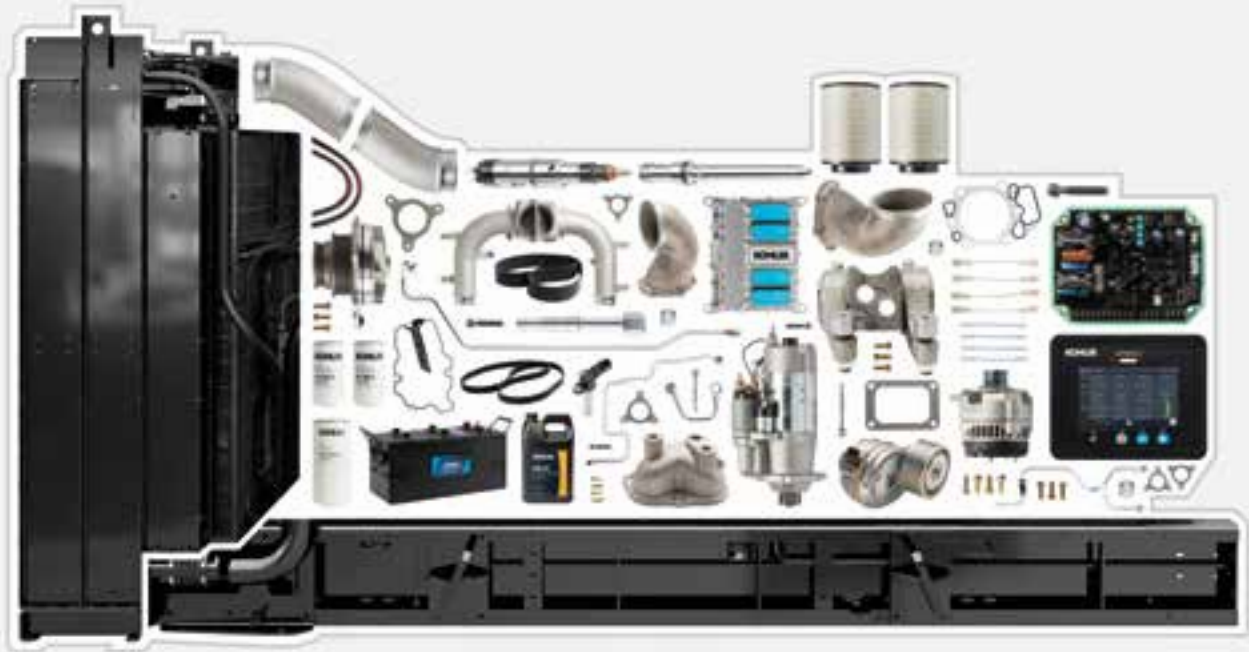
MODERN FULLY CERTIFIED FACTORIES



- ▶ All of our generators are developed in France.
- ▶ In our extensive premises (over 38,000 m²), we have advanced operational equipment, with factories certified to ISO 9001 and 14001.

A CUTTING-EDGE LABORATORY

- ▶ ISO 17025 accredited since 2009, our “LAB” uses a testing procedure validated and calibrated by COFRAC. It conducts 5 mains types of testing:
 - Thermal balance calculations (cooling)
 - Sound level measurements (measurement method as per Directive 2000/14/EC and ISO 8528-10)
 - Electrical checks (EN 12601-ISO 8528)
 - Project-specific tests (coupling boards), load/shedding impact (standard ISO 8528-5, performance classes G1/G2/G3)
 - Production control (compliance with Directive 2000/14/EC, sourced products, etc.)
- ▶ The laboratory has access to the most advanced tools, with dedicated facilities set over 2000 m², including: a prototype construction area with a 20-ton crane, 3 test benches with control rooms, and a noise emissions area covering 1000 m²...



SERVICES & TRAINING



WORLDWIDE NETWORK

Distribution sites throughout the world, offering local customer support and technical assistance 24/7. Standardized assistance and spare parts across all our markets.



GENUINE PARTS

Kohler parts are specially designed for your generator, and are available whenever you need them. We have a vast catalog of parts available through our global network. We supply preventive maintenance kits containing all the parts necessary for scheduled maintenance operations.



WARRANTY

Kohler guarantees the quality of its products with a standard warranty and an optional extended warranty to protect your investment, reducing the cost of unexpected faults. The equipment is supported by a global network of Kohler-certified distribution technicians, with backup from direct technical support services at the factory.



GENERATOR TECHNICAL SUPPORT

Trained in the factory, our certified technicians have up-to-date knowledge and diagnostic tools to keep your generator up and running, with fast and accurate issue resolution. Our on-site maintenance engineers will take care of critical installations and any problems you may experience at your premises. We offer a 24/7 technical assistance service.



TRAINING

Certified technician training delivered by Kohler experts in training centers throughout the world. Training at Kohler training centers and laboratories, and at the distributor's premises or your own site, as required.



10 KEY POINTS

KOHLER®



OPTIMIZED AND CERTIFIED SOUND LEVELS

Optimized and certified sound levels. Measurements:

- ▶ conducted using acoustic intensimetry (the most accurate method on the market)
- ▶ certified by CETIM (Technical Center for Mechanical Industry)
- ▶ performed in a COFRAC-accredited laboratory (French official accreditation body)



POWER MAINTAINED EVEN IN EXTREME CONDITIONS

Our engineering department ensures the cooling systems are adapted perfectly, so that maximum power can be provided, even at high temperatures.



QUALITY TESTING

Each KOHLER generator is prototyped in the laboratory and tested in production, to ensure it operates exactly as it should.



HOMOLOGATION IN ACCORDANCE WITH THE STRICTEST STANDARDS

KOHLER does not compromise when it comes to the quality of its products and their compliance with standards. They are designed to meet even more demanding criteria than those set by the directives.



LOW FUEL CONSUMPTION

Our engineers and technicians develop tailored solutions to further improve consumption of fuel and the components chosen for the high performance they offer.



ROBUST BASE FRAMES AND HIGH-QUALITY ENCLOSURES

A high quality enclosure protects the generator's components whilst enabling it to run under the most extreme conditions (high temperatures, dusty or sandy environments, etc.). KOHLER base frames and enclosures are designed in France, and their suppliers selected according to very strict criteria.



QUALITY OF THE ELECTRICITY PRODUCED

A high quality current, in voltage and frequency in compliance with the ISO 8528-5 standard, provides a high starting and loading capacity for critical applications.



SAFETY OF PERSONS AND INSTALLATIONS

KOHLER is developing solutions on a daily basis to further enhance the safety of the generator and its users (modular management of neutral connections, precision circuit breakers, engine preheating, etc.).



SMALL FOOTPRINT, HIGH PERFORMANCE

The footprint of a generator, in both surface area and volume, is key to ensuring its integration, regardless of space constraints. Thanks to their innovative engineering, KOHLER generators pack big performance into a compact frame.



REFERENCE IN STOCK ALL OVER THE WORLD

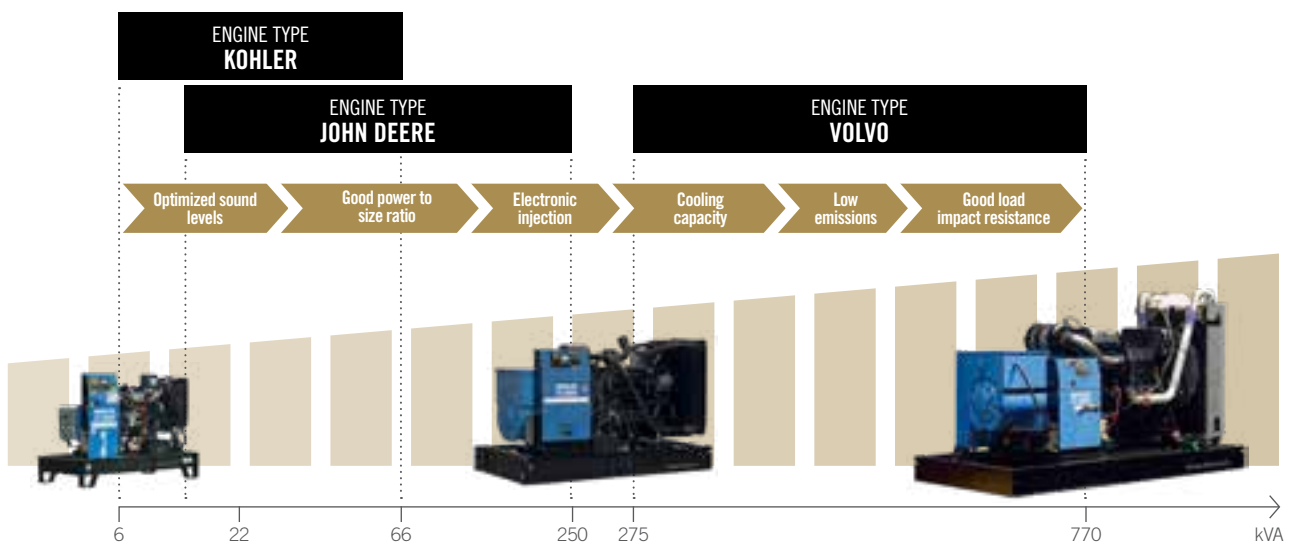
X-PRESS is a range of standard generators stocked across the world, which can be delivered to you within a very short lead time.

KD-SERIES AND X-SERIES RANGES: A RESPONSE TAILORED TO YOUR NEEDS

KOHLER offers two different ranges: our KD-SERIES Product range which meets even the most complex requirements, and our highly competitive X-SERIES range, which offers equally high performance.

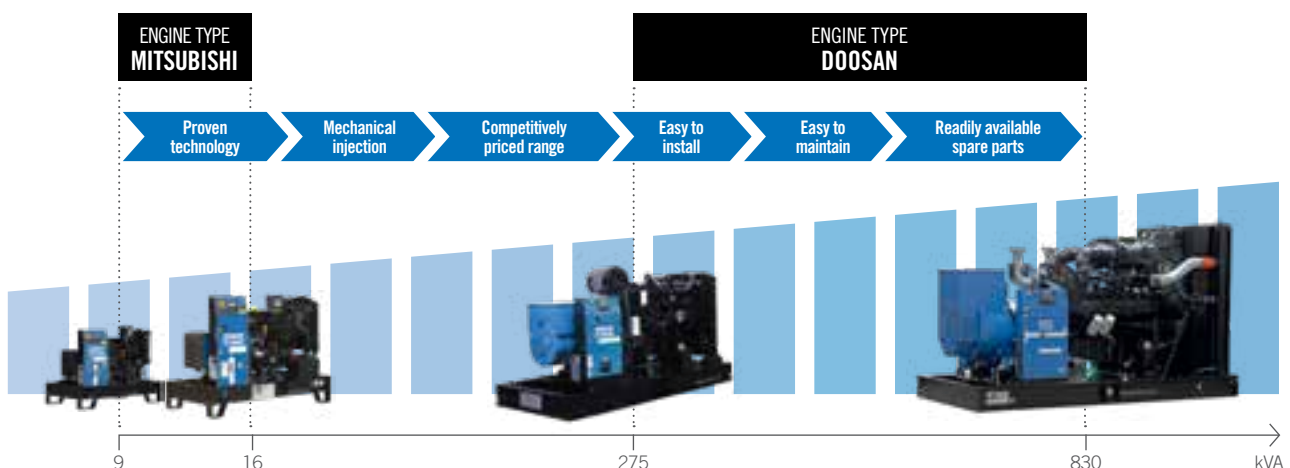
KD-SERIES RANGE

The KD-SERIES range offers high-tech products that meets the most complex requirements to serve stringent applications such as mission critical segment. These generators offer an optimal power to size ratio and high cooling capacity with controlled sound and emissions levels. These highly robust products can handle load impacts while preserving the quality of the electricity produced in terms of both frequency and voltage.



X-SERIES RANGE

The X-SERIES range offers a high-quality alternative with competitive products that use proven technology. These generators are configured products which are ready to use right from installation and easy to serve on the field. Their mechanical injection engines and readily available spare parts simplify maintenance operations.



INDUSTRIAL RANGE

6 KVA TO 66 KVA

KOHLER ENGINE

OPEN VERSION



K16U OPEN VERSION



K44 OPEN VERSION

THREE PHASE SPECIFICATIONS

50 HZ - 400 - 230 V SPECIFICATIONS					60 HZ - 208 - 120 V SPECIFICATIONS					GENERAL SPECIFICATIONS					
Generators ⁽¹⁾	rpm	kVA Cos ϕ 0.8		Cons 3/4 L/h	Generators ⁽²⁾	rpm	kWe ISO 8528*		Cons 3/4 L/h	Engine			Open version ⁽⁵⁾		
		PRP ⁽³⁾	ESP ⁽⁴⁾				PRP ⁽³⁾	ESP ⁽⁴⁾		Engine type	Cyl	Cyl (L)	Dimensions lwxh (m)	Weight ⁽⁶⁾ (kg)	Tank (L)
K9	1500	8.1	9	1.9	K9U	1800	7.6	8.4	2.3	KDW1003	3L	1.0	1.22x0.70x0.92	290	50
K12	1500	10.9	12	2.5	K12U	1800	10.6	11.6	2.9	KDW1404	4L	1.4	1.41x0.72x1.02	340	50
K16	1500	15	16.5	3.7	K16U	1800	14.1	15.5	4.5	KDW1603	3L	1.7	1.41x0.72x1.02	410	50
K16H	3000	-	16	3.6	-	-	-	-	-	KDW1003-H	3L	1.0	1.41x0.72x1.02	310	50
K21H	3000	-	21	4.9	-	-	-	-	-	KDW1404-H	4L	1.4	1.41x0.72x1.02	350	50
K22	1500	19.5	21.5	3.3	K20U	1800	17.3	19	4.2	KDI1903M	3L	1.9	1.41x0.72x1.08	490	50
K27	1500	24.1	26.5	4.4	K25U	1800	22.6	24.8	5.6	KDI2504M	4L	2.5	1.41x0.72x1.08	540	50
K33	1500	30	33	5.7	K30U	1800	28	30.7	7.2	KDI2504TM-30	4L	2.5	1.70x0.90x1.20	585	100
K44	1500	40	44	7.1	K40U	1800	36	40	8.5	KDI2504TM-40	4L	2.5	1.70x0.90x1.20	618	100
K66	1500	60	66	11.3	K60U	1800	54	60	13.6	KDI3404TM	4L	3.4	1.70x0.90x1.17	781	100

SINGLE PHASE SPECIFICATIONS

50 HZ - 230 V SPECIFICATIONS					60 HZ - 240 V SPECIFICATIONS					GENERAL SPECIFICATIONS					
Generators ⁽¹⁾	rpm	kVA Cos ϕ 0.8		Cons 3/4 L/h	Generators ⁽²⁾	rpm	kWe ISO 8528*		Cons 3/4 L/h	Engine			Open version ⁽⁵⁾		
		PRP ⁽³⁾	ESP ⁽⁴⁾				PRP ⁽³⁾	ESP ⁽⁴⁾		Engine type	Cyl	Cyl (L)	Dimensions lwxh (m)	Weight ⁽⁶⁾ (kg)	Tank (L)
K6M	1500	5.7	6.4	1.9	-	-	-	-	-	KDW1003	3L	1.0	1.22x0.70x0.92	290	50
-	-	-	-	-	K9UM	1800	7.3	8	2.3	KDW1003	3L	1.0	1.41x0.72x1.02	330	50
K10M	1500	8.2	9	2.5	K12UM	1800	10	11	2.9	KDW1404	4L	1.4	1.41x0.72x1.02	350	50
K12M	1500	10.7	11.8	3.7	K16UM	1800	12.2	14.5	4.5	KDW1603	3L	1.7	1.41x0.72x1.02	440	50
K17M	1500	14.1	15.5	3.3	K20UM	1800	16.4	18	4.2	KDI1903M	3L	1.8	1.41x0.72x1.08	530	50
K26M	1500	23.6	26	5.7	K30UM	1800	27.3	30	7.3	KDI2504TM-30	4L	2.5	1.70x0.90x1.20	621	100
-	-	-	-	-	K40UM	1800	36	40	8.1	KDI2504TM-40	4L	2.5	1.70x0.90x1.07	636	100

(1) Also available in the following voltages: 415/240 V - 380/220 V - 220/127 V - 200/115 V

(2) Also available in the following voltages: 440/254 V - 220/127 V - 480/277 V

(3) PRP: Main power available continuously with variable load for an unlimited time in accordance with ISO 8528-1.

(4) ESP: Standby power available for emergency use under variable load, in accordance with ISO 8528-1; no overload available under this service.

(5) The dimensions and weights apply to a generator specified in the price list, without options

(6) Dry weight - without fuel

* ISO 8528: power expressed in accordance with the legislation in force

M: Single phase - H: High speed (3000 rpm) - U: 60 Hz

BENEFITS

▶ POWER AND COMPACTNESS COMBINED

The levels of performance provided by KOHLER Diesel KDI engines ensure our generating sets offer the optimum power to size ratio. This means they can be made more compact, thereby reducing transport and storage costs. For example, KOHLER can now offer a 66 kVA generator in a more compact enclosure (M137). By reducing the footprint, generators up to 66 kVA can be stacked in a 40-foot shipping container.

SOUNDPROOFED VERSION



K33 ▶ SOUNDPROOFED VERSION



K44 DW 48H ▶ SOUNDPROOFED VERSION
with double wall 48-hour tank

THREE PHASE SPECIFICATIONS

GENERATORS		STANDARD ENCLOSURE				ENCLOSURE WITH DOUBLE WALL BASE FRAME			50 HZ SOUND LEVELS			60 HZ SOUND LEVEL
50 Hz	60 Hz	Enclosure	Tank (L)	Dimensions lxxh (m)	Weight (kg)	Fuel tank (L)	50 Hz maximum run time (h)	60 Hz maximum run time (h)	LWA	dB(A)@1m	dB(A)@7m	dB(A)@7m
K9	K9U	M125	50	1.48x0.76x1.03	390	-	-	-	83	67	54	64
K12	K12U	M126	50	1.75x0.78x1.23	510	93	36.8	31.7	83	67	54	64
K16	K16U	M126	50	1.75x0.78x1.23	580	93	25.1	20.7	91	74	61	69
K16H	-	M126	50	1.75x0.78x1.23	480	93	25.6	-	95	79	66	-
K21H	-	M126	50	1.75x0.78x1.23	520	93	19	-	96	80	67	-
K22	K20U	M126	50	1.75x0.78x1.23	660	93	26.6	22.5	88	71	58	67
K27	K25U	M126	50	1.75x0.78x1.23	710	93	19.8	16.7	93	76	64	68
K33	K30U	M137	100	2.10x0.94x1.28	773	240	39	32	93	75	63	68
K44	K40U	M137	100	2.10x0.94x1.28	806	240	30.7	27	93	76	64	68
K66	K60U	M137	100	2.10x0.94x1.28	978	240	21.2	17.6	95	79	66	69

SINGLE PHASE SPECIFICATIONS

GENERATORS		STANDARD ENCLOSURE				ENCLOSURE WITH DOUBLE WALL BASE FRAME			50 HZ SOUND LEVELS			60 HZ SOUND LEVEL
50 Hz	60 Hz	Enclosure	Tank (L)	Dimensions lxxh (m)	Weight (kg)	Fuel tank (L)	50 Hz maximum run time (h)	60 Hz maximum run time (h)	LWA	dB(A)@1m	dB(A)@7m	dB(A)@7m
K6M	-	M125	50	1.48x0.76x1.03	390	-	-	-	83	67	54	-
-	K9UM	M126	50	1.75x0.78x1.23	500	93	-	40.4	-	-	-	64
K10M	K12UM	M126	50	1.75x0.78x1.23	520	93	36.8	31.7	83	67	54	64
K12M	K16UM	M126	50	1.75x0.78x1.23	610	93	25.1	20.7	91	74	61	69
K17M	K20UM	M126	50	1.75x0.78x1.23	700	93	26.6	22.7	87	71	58	67
K26M	K30UM	M137	100	2.10x0.94x1.28	830	240	40.4	32.8	93	76	64	68
-	K40UM	M137	100	2.10x0.94x1.28	824	240	-	29.6	-	-	-	68

INDUSTRIAL RANGE

9 KVA TO 16 KVA

MITSUBISHI ENGINE

OPEN VERSION



T12K OPEN VERSION



T16K OPEN VERSION

THREE PHASE SPECIFICATIONS

50 HZ - 400 - 230 V SPECIFICATIONS					208 HZ - 120 V SPECIFICATIONS					GENERAL SPECIFICATIONS					
Generators ⁽¹⁾	rpm	kVA Cos ϕ 0.8		Cons 3/4 L/h	Generators ⁽²⁾	rpm	kWe ISO 8528*		Cons 3/4 L/h	Engine			Open version ⁽⁵⁾		
		PRP ⁽³⁾	ESP ⁽⁴⁾				PRP ⁽³⁾	ESP ⁽⁴⁾		Engine type	Cyl	Cyl (L)	Dimensions l x w x h (m)	Weight ⁽⁶⁾ (kg)	Tank (L)
T12K	1500	10.5	11.5	2.5	T11U	1800	10.2	11.2	3.2	S3L2-SD	3L	1.3	1.41x0.72x1.05	387	50
T16K	1500	14.5	16	3.4	T16U	1800	14.6	16	4.2	S4L2-SD	4L	1.7	1.41x0.72x1.05	406	50

SINGLE PHASE SPECIFICATIONS

50 HZ - 230 V SPECIFICATIONS					60 HZ - 240 V SPECIFICATIONS					GENERAL SPECIFICATIONS					
Generators ⁽¹⁾	rpm	kVA Cos ϕ 0.8		Cons 3/4 L/h	Generators ⁽²⁾	rpm	kWe ISO 8528*		Cons 3/4 L/h	Engine			Open version ⁽⁵⁾		
		PRP ⁽³⁾	ESP ⁽⁴⁾				PRP ⁽³⁾	ESP ⁽⁴⁾		Engine type	Cyl	Cyl (L)	Dimensions l x w x h (m)	Weight ⁽⁶⁾ (kg)	Tank (L)
T9KM	1500	7.8	8.6	2.5	T11UM	1800	9.1	10	3.2	S3L2-SD	3L	1.3	1.41x0.72x1.05	396	50
T12KM	1500	10.9	12	3.4	T16UM	1800	13.6	15	4.2	S4L2-SD	4L	1.8	1.41x0.72x1.05	406	50

(1) Also available in the following voltages: 415/240 V - 380/220 V - 220/127 V - 200/115 V

(2) Also available in the following voltages: 440/254 V - 220/127 V - 480/277 V

(3) PRP: Main power available continuously with variable load for an unlimited time in accordance with ISO 8528-1.

(4) ESP: Standby power available for emergency use under variable load, in accordance with ISO 8528-1; no overload available under this service.

(5) The dimensions and weights apply to a generator specified in the price list, without options

(6) Dry weight - without fuel

* ISO 8528: power expressed in accordance with the legislation in force

M: Single phase - H: High speed (3000 rpm) - U: 60 Hz

- ▶ KOHLER offers an optional double wall base frame allowing a maximum run time of up to 24 hours. With its double wall, the environment is protected against any possible fuel leak. It is the ideal option, perfect for use in isolated areas.

SOUNDPROOFED VERSION



T12K ▶ SOUNDPROOFED VERSION



T16U DW 24H ▶ SOUNDPROOFED VERSION
with double wall 24-hour tank

THREE PHASE SPECIFICATIONS

GENERATORS		STANDARD ENCLOSURE				ENCLOSURE WITH DOUBLE WALL BASE FRAME			50 HZ SOUND LEVELS			60 HZ SOUND LEVEL
50 Hz	60 Hz	Enclosure	Tank (L)	Dimensions lxxh (m)	Weight (kg)	Fuel tank (L)	50 Hz maximum run time (h)	60 Hz maximum run time (h)	LWA	dB(A)@1m	dB(A)@7m	dB(A)@7m
T12K	T11U	M126	50	1.75x0.78x1.23	530	93	37.2	29.1	87	71	58	65
T16K	T16U	M126	50	1.75x0.78x1.23	554	93	27.4	22.1	89	72	59	65

SINGLE PHASE SPECIFICATIONS

GENERATORS		STANDARD ENCLOSURE				ENCLOSURE WITH DOUBLE WALL BASE FRAME			50 HZ SOUND LEVELS			60 HZ SOUND LEVEL
50 Hz	60 Hz	Enclosure	Tank (L)	Dimensions lxxh (m)	Weight (kg)	Fuel tank (L)	50 Hz maximum run time (h)	60 Hz maximum run time (h)	LWA	dB(A)@1m	dB(A)@7m	dB(A)@7m
T9KM	T11UM	M126	50	1.75x0.78x1.23	544	93	37.2	29.1	87	71	58	63
T12KM	T16UM	M126	50	1.75x0.78x1.23	630	93	27.4	22.1	88	72	59	65

INDUSTRIAL RANGE

22 KVA TO 250 KVA

JOHN DEERE ENGINE

OPEN VERSION



J110 OPEN VERSION
with optional APM403 control unit



J220 OPEN VERSION
with optional APM403 control unit

THREE PHASE SPECIFICATIONS

50 HZ - 400 - 230 V SPECIFICATIONS					60 HZ - 208 - 120 V SPECIFICATIONS					GENERAL SPECIFICATIONS					
Generators ⁽¹⁾	rpm	kVA Cos ϕ 0.8		Cons 3/4 L/h	Generators ⁽²⁾	rpm	kWe ISO 8528 [*]		Cons 3/4 L/h	Engine			Open version ⁽⁵⁾		
		PRP ⁽³⁾	ESP ⁽⁴⁾				PRP ⁽³⁾	ESP ⁽⁴⁾		Engine type	Cyl	Cyl (L)	Dimensions lxwxh (m)	Weight ⁽⁶⁾ (kg)	Tank (L)
J22	1500	20	22	3.8	J20U	1800	16.7	18.4	5.2	3029DSG20	3L	2.9	1.70x0.90x1.18	624	100
J33	1500	30	33	4.9	J30U	1800	28	30.4	6.6	3029DSG20	3L	2.9	1.70x0.90x1.18	629	100
J44	1500	40	44	7.7	J40U	1800	36	40	9.2	3029TSG20	3L	2.9	1.70x0.90x1.24	680	100
J66	1500	60	66	11	J60U	1800	54	60	13	4045TSG20	4L	4.5	1.95x1.08x1.45	908	190
J88	1500	80	88	15.2	J80U	1800	68	75	17.6	4045TSG20	4L	4.5	1.95x1.08x1.45	980	190
J110	1500	100	110	17.9	J100U	1800	91	100	20.8	4045HSG20	4L	4.5	1.95x1.08x1.45	1010	190
J130	1500	120	132	19	J120U	1800	106	117	22.5	4045HSG21	4L	4.5	1.95x1.08x1.45	1287	190
J165	1500	150	165	25	J150U	1800	137	150	29	6068HF120-153	6L	6.7	2.37x1.11x1.48	1578	340
J200	1500	182	200	31.3	J175U	1800	159	175	36.1	6068HF120-183	6L	6.7	2.37x1.11x1.48	1726	340
J220	1500	200	220	35.1	-	-	-	-	-	6068HSG22	6L	6.7	2.37x1.11x1.54	1715	340
J250	1500	227	250	35.9	J210U	1800	191	210	39.2	6068HFS55-228	6L	6.7	2.40x1.11x1.54	1800	340

SINGLE PHASE SPECIFICATIONS

50 HZ - 400 - 230 V SPECIFICATIONS					60 HZ - 208 - 120 V SPECIFICATIONS					GENERAL SPECIFICATIONS					
Generators ⁽¹⁾	rpm	kVA Cos ϕ 0.8		Cons 3/4 L/h	Generators ⁽²⁾	rpm	kWe ISO 8528 [*]		Cons 3/4 L/h	Engine			Open version ⁽⁵⁾		
		PRP ⁽³⁾	ESP ⁽⁴⁾				PRP ⁽³⁾	ESP ⁽⁴⁾		Engine type	Cyl	Cyl (L)	Dimensions lxwxh (m)	Weight ⁽⁶⁾ (kg)	Tank (L)
-	-	-	-	-	J20UM	1800	18.2	20	6.5	3029DSG20	3L	2.9	1.70x0.90x1.18	663	100
-	-	-	-	-	J30UM	1800	25.5	28	6.5	3029DSG20	3L	2.9	1.70x0.90x1.18	698	100
-	-	-	-	-	J40UM	1800	36	40	9.2	3029TSG20	3L	2.9	1.70x0.90x1.24	694	100
-	-	-	-	-	J60UM	1800	54	60	13	4045TSG20	4L	4.5	1.95x1.08x1.45	1015	190

(1) Also available in the following voltages: 415/240 V - 380/220 V - 220/127 V - 200/115 V

(2) Also available in the following voltages: 440/254 V - 220/127 V - 480/277 V

(3) PRP: Main power available continuously with variable load for an unlimited time in accordance with ISO 8528-1.

(4) ESP: Standby power available for emergency use under variable load, in accordance with ISO 8528-1; no overload available under this service.

(5) The dimensions and weights apply to a generator specified in the price list, without options

(6) Dry weight - without fuel

* ISO 8528: power expressed in accordance with the legislation in force

M: Single phase - U: 60 Hz

► **BASE FRAME WITH 48-HOUR TANK!**

For improved maximum run time, opt for the double wall base frame with a large capacity integrated fuel tank: ideal for isolated areas. This option combines the need for autonomy with security, making it possible for all of the generator's fluids to be held.

SOUNDPROOFED VERSION



J44 DW 48H ► SOUNDPROOFED VERSION
with optional 48-hour tank



J250 ► SOUNDPROOFED VERSION

THREE PHASE SPECIFICATIONS

GENERATORS		STANDARD ENCLOSURE				ENCLOSURE WITH DOUBLE WALL BASE FRAME			50 HZ SOUND LEVELS			60 HZ SOUND LEVEL
50 Hz	60 Hz	Enclosure	Tank (L)	Dimensions lwxh (m)	Weight (kg)	Fuel tank (L)	50 Hz maximum run time (h)	60 Hz maximum run time (h)	LWA	dB(A)@1m	dB(A)@7m	dB(A)@7m
J22	J20U	M137	100	2.10x0.94x1.28	812	240	63.1	46.1	92	75	63	68
J33	J30U	M137	100	2.10x0.94x1.28	817	240	48.9	36.4	91	74	62	68
J44	J40U	M137	100	2.10x0.94x1.28	868	240	31.2	26	93	76	63	70
J66	J60U	M138	190	2.57x1.13x1.57	1246	500	45.4	38.5	95	78	66	71
J88	J80U	M138	190	2.57x1.13x1.57	1325	500	32.9	28.4	96	78	67	74
J110	J100U	M138	190	2.57x1.13x1.57	1335	500	27.9	24	97	80	68	72
J130	J120U	M138	190	2.57x1.13x1.57	1405	500	26.3	22.2	96	79	68	71
J165	J150U	M139	340	3.59x1.15x1.78	2065	868	34.7	29.9	96	81	70	70
J200	J175U	M139	340	3.59x1.15x1.78	2230	868	27.7	24.0	95	80	69	71
J220	-	M139	340	3.59x1.15x1.78	2405	868	25.5	-	96	79	68	-
J250	J210U	M139	340	3.59x1.15x1.78	2515	868	24.2	22.2	97	82	71	72

SINGLE PHASE SPECIFICATIONS

GENERATORS		STANDARD ENCLOSURE				ENCLOSURE WITH DOUBLE WALL BASE FRAME		60 HZ SOUND LEVEL
50 Hz	60 Hz	Enclosure	Tank (L)	Dimensions lwxh (m)	Weight (kg)	Fuel tank (L)	60 Hz maximum run time (h)	dB(A)@7m
-	J20UM	M137	100	2.10x0.94x1.28	851	240	36.9	68
-	J30UM	M137	100	2.10x0.94x1.28	911	240	39.9	68
-	J40UM	M137	100	2.10x0.94x1.28	907	240	26.1	70
-	J60UM	M138	190	2.57x1.13x1.57	1497	390	38.5	71

INDUSTRIAL RANGE

275 KVA TO 770 KVA

VOLVO ENGINE

OPEN VERSION



V400C2 → OPEN VERSION

SOUNDPROOFED VERSION



V275C2 → SOUNDPROOFED VERSION

OPEN VERSION

THREE PHASE SPECIFICATIONS

50 HZ - 400 - 230 V SPECIFICATIONS				60 HZ - 208 - 120 V SPECIFICATIONS				GENERAL SPECIFICATIONS					
Generators ⁽¹⁾	kVA Cos Φ 0.8		Cons 3/4 L/h	Generators ⁽²⁾	kWe ISO 8528 [*]		Cons 3/4 L/h	Engine			Open version ⁽⁵⁾		
	PRP ⁽³⁾	ESP ⁽⁴⁾			PRP ⁽³⁾	ESP ⁽⁴⁾		Engine type	Cyl	Cyl (L)	Dimensions l x w x h (m)	Weight ⁽⁶⁾ (kg)	Tank (L)
V275C2	250	275	42.6	V250U	213	234	45.7	TAD734GE	6L	7.2	2.90x1.30x1.59	2200	390
V350C2	318	350	48.1	V300U	273	300	54.1	TAD1341GE-B	6L	12.8	3.16x1.34x1.80	3101	470
V400C2	355	390	53.3	V350U	318	350	64.1	TAD1342GE-B	6L	12.8	3.16x1.34x1.80	3103	470
V440C2	400	440	63	V400U	364	400	72	TAD1344GE-B	6L	12.8	3.16x1.34x1.80	3110	470
V500C2	455	500	69	-	-	-	-	TAD1345GE-B	6L	12.8	3.16x1.34x1.80	3250	470
V550C2	500	550	78.2	V500UC2	454	500	91.2	TAD1641GE-B1	6L	16.1	3.47x1.50x2.04	3660	500
V650C2	591	650	88.9	V550UC2	500	550	98.2	TAD1642GE-B	6L	16.1	3.47x1.63x2.09	3650	610
V715C2	650	715	98.4	V600U	546	600	108.2	TWD1644GE	6L	16.1	3.47x1.63x2.05	4060	610
V770C2	700	770	106.5	V640UC2	582	640	114.1	TWD1645GE	6L	16.1	3.47x1.63x2.05	4270	610

SOUNDPROOFED VERSION

THREE PHASE SPECIFICATIONS

GENERATORS		STANDARD ENCLOSURE				ENCLOSURE WITH DOUBLE WALL BASE FRAME			50 HZ SOUND LEVELS			60 HZ SOUND LEVEL
50 Hz	60 Hz	Enclosure	Tank (L)	Dimensions l x w x h (m)	Weight (kg)	Fuel tank (L)	50 Hz maximum run time (h)	60 Hz maximum run time (h)	LWA	dB(A)@1m	dB(A)@7m	dB(A)@7m
V275C2	V250U	M227	390	4.00x1.38x2.15	3102	950	22.3	20.8	97	78	67	74
V350C2	V300U	M228	470	4.48x1.41x2.43	4035	1368	28.4	25.3	97**	81	71	76
V400C2	V350U	M228	470	4.48x1.41x2.43	4035	1368	25.7	21.34	97**	81	71	76
V440C2	V400U	M228	470	4.48x1.41x2.43	4080	1368	21.7	19	98**	81	71	76
V500C2	-	M228	470	4.48x1.41x2.43	4360	1368	17.5	-	98**	81	71	-
V550C2	V500UC2	M229	500	5.03x1.56x2.44	4870	1770	22.6	19.4	97	76	66	75
V650C2	V550UC2	M230	610	5.03x1.69x2.66	5300	1950	22	19.9	100	80	70	75
V715C2	V600U	M230	610	5.03x1.69x2.66	5590	1950	19.8	18	105	85	75	79
V770C2	V640UC2	M230	610	5.03x1.69x2.66	5790	1950	18.3	17.1	105	85	75	79

(1) Also available in the following voltages: 415/240 V - 380/220 V - 220/127 V - 200/115 V

(2) Also available in the following voltages: 440/254 V - 220/127 V - 480/277 V

(3) PRP: Main power available continuously with variable load for an unlimited time in accordance with ISO 8528-1.

(4) ESP: Standby power available for emergency use under variable load, in accordance with ISO 8528-1; no overload available under this service.

(5) The dimensions and weights apply to a generator specified in the price list, without options

(6) Dry weight - without fuel

* ISO 8528: power expressed in accordance with the legislation in force - ** with option CN09

U: 60 Hz

INDUSTRIAL RANGE 275 KVA TO 830 KVA

DOOSAN ENGINE

OPEN VERSION



D830 OPEN VERSION

SOUNDPROOFED VERSION



D600U SOUNDPROOFED VERSION

OPEN VERSION

THREE PHASE SPECIFICATIONS

50 HZ - 400 - 230 V SPECIFICATIONS				60 HZ - 208 - 120 V SPECIFICATIONS				GENERAL SPECIFICATIONS					
Generators ⁽¹⁾	kVA Cos Φ 0.8		Cons 3/4 L/h	Generators ⁽²⁾	kWe ISO 8528 [*]		Cons 3/4 L/h	Engine			Open version ⁽⁵⁾		
	PRP ⁽³⁾	ESP ⁽⁴⁾			PRP ⁽³⁾	ESP ⁽⁴⁾		Engine type	Cyl	Cyl (L)	Dimensions l x w x h (m)	Weight ⁽⁶⁾ (kg)	Tank (L)
D275	250	275	43.6	-	-	-	-	P126TI	6	11.1	2.90x1.30x1.67	2340	390
D300	273	300	43.6	D250U	227	250	52.3	P126TI	6	11.1	2.90x1.30x1.67	2410	390
D330	300	330	47.0	D300U	273	300	56	P126TI-II	6	11.1	3.16x1.34x1.59	2570	470
D440	400	440	65.1	D400U	364	400	74.7	P158LE	8	14.6	3.47x1.50x1.83	2910	500
D550	500	550	83.4	D500U	454	500	92.9	DP158LDF	8	14.6	3.47x1.50x1.82	3220	500
D630	573	630	94.2	-	-	-	-	DP180LA	10	18.3	3.47x1.63x1.97	3465	610
D700	631	694	103.8	D600U	545	600	112	DP180LB	10	18.3	3.47x1.63x2.16	3700	610
D830	750	825	119.1	D750U	676	744	134.4	DP222LC	12	21.9	3.47x1.63x2.18	4080	610

SOUNDPROOFED VERSION

THREE PHASE SPECIFICATIONS

GENERATORS		STANDARD ENCLOSURE				ENCLOSURE WITH DOUBLE WALL BASE FRAME			50 HZ SOUND LEVELS			60 HZ SOUND LEVEL
50 Hz	60 Hz	Enclosure	Tank (L)	Dimensions l x w x h (m)	Weight (kg)	Fuel tank (L)	50 Hz maximum run time (h)	60 Hz maximum run time (h)	LWA	dB(A)@1m	dB(A)@7m	dB(A)@7m
D275	-	M227	390	4.00x1.38x2.15	3190	950	21.8	-	102	83	73	-
D300	D250U	M227	390	4.00x1.38x2.15	3260	950	21.8	18.2	102	83	73	78
D330	D300U	M228	470	4.48x1.41x2.43	3670	1368	29.1	24.4	101	81	71	75
D440	D400U	M229	500	5.03x1.56x2.44	4090	1770	27.2	23.7	105	85	75	79
D550	D500U	M229	500	5.03x1.56x2.44	4262	1770	21.2	19	104	84	74	80
D630	-	M230	610	5.03x1.69x2.66	5146	1950	20.7	-	108	88	78	-
D700	D600U	M230	610	5.03x1.69x2.66	5381	1950	18.8	17	108	88	78	82
D830	D750U	M230	610	5.03x1.69x2.66	5670	1950	16.4	14.5	108	88	78	78

(1) Also available in the following voltages: 415/240 V - 380/220 V - 220/127 V - 200/115 V

(2) Also available in the following voltages: 440/254 V - 220/127 V - 480/277 V

(3) PRP: Main power available continuously under variable load for an unlimited number of hours annually, in accordance with ISO 8528-1.

(4) ESP: Standby power available for emergency use under variable load, in accordance with ISO 8528-1; no overload available under this service.

(5) The dimensions and weights apply to a generator specified in the price list, without options

(6) Dry weight - without fuel

* ISO 8528: power expressed in accordance with the legislation in force

NEW

THE ENVIRONMENTALLY RESPONSIBLE CHOICE

KOHLER

WHAT IS ROHS2 DIRECTIVE?

Directive 2011/65/EU aims to limit the use of certain hazardous substances (lead, mercury, cadmium, etc.) in Electrical and Electronic Equipment (EEE) sold in the European Union* (as well as Norway, Iceland, Turkey and Lichtenstein).

The purpose is to better manage the dual objective of protecting human health and the environment. This directive, effective since 22 July 2019, relates to mobile generators with no power limit, motorized pumps and static generators up to 375 kW.

KOHLER'S RESPONSE

To ensure compliance with this directive, all of our suppliers have been contacted in advance by our product Compliance & Certification department to check that their components were compliant.

All products in the industrial range are now compliant with this directive.

CLEAN POWER RANGE

REDUCE EMISSIONS, KEEP THE POWER

Do you want to reduce the environmental footprint of your industrial activities for outputs from 12 to 550 kVA? Discover our CLEAN POWER range equipped with low emission engines.

50 HZ - 400 - 230 V SPECIFICATIONS				GENERAL SPECIFICATIONS						ENCLOSURES	50 HZ SOUND LEVELS			POLLUTANT EMISSIONS			
Generators ⁽¹⁾	KVA Cos Φ 0.8		Cons 3/4 L/h	Engine			Open version ⁽⁴⁾			Enclosures	LWA	dB(A)@1m	dB(A)@7m	PM (g/kW.h)	CO (g/kW.h)	HC+Nox (g/kW.h)	HC (g/kW.h)
	PRP ⁽²⁾	ESP ⁽³⁾		Engine type	Cyl	Cyl (L)	Dimensions l x w x h (m)	Weight ⁽⁵⁾ (kg)	Tank (L)								
K12C5	10,9	12	2,2	KDW1404-EU5	1,37	4	1,41x0,72x1,01	340	50	M126	83	66	54	0.4	6.6	4.7	-
K16C5	13.3	15	3.5	KDW1603-EU5	1.65	3	1,41x0,72x1,01	410	50	M126	91	74	61	0.4	6.6	4.7	-
K20C5	18.2	20	3.7	KDI1903M-EU5	1.86	3	1,41x0,72x1,08	490	50	M126	88	71	58	0.4	6.6	4.7	-
K33C3	30	33	5.7	KDI2504TM-30-EU	2.48	4	1.70x0.90x1.20	585	100	M137	90	76	63	0.28	1.08	5.42	-
K44C3	40	40	7.3	KDI2504TM-40-EU	2.48	4	1.70x0.90x1.20	618	100	M137	91	76	64	0.28	1.08	5.42	-
J66C3	60	66	11.8	4045HFS85	4.48	4	1.95x1.08x1.39	950	190	M138	96	77	65	0.23	0.62	4.16	0.23
J110C3	100	110	19.6	4045HFS87	4.48	4	1.95x1.08x1.46	1020	190	M138	97	79	67	0.17	1.29	3.54	0.15
J165C3	150	165	24.5	6068HFS85	6.72	6	2.37x1.11x1.48	1578	340	M226	96	77	66	0.10	1.15	3.68	0.13
J220C3	200	220	37.6	6068HFS86	6.72	6	2.37x1.11x1.54	1756	340	M226	97	78	67	0.10	1.15	3.68	0.13
V550C3	500	550	79.8	TAD1651GE	16.12	6	3.47x1.63x2.10	3650	610	M230	101	81	71	0.14	0.77	3.63	0.14

(1) Also available in the following voltages: 415/240 V - 380/220 V - 220/127 V - 200/115 V

(2) PRP: Main power available continuously under variable load for an unlimited number of hours annually, in accordance with ISO 8528-1.

(3) ESP: Standby power available for emergency use under variable load, in accordance with ISO 8528-1; no overload available under this service.

(4) The dimensions and weights apply to a generator specified in the price list, without options

(5) Dry weight - without fuel

C3: Clean Power range

C5 STAGE V certified gensets



NEW

INDUSTRIAL RANGE POWER FROM A NEW ANGLE



PLUG & PLAY

**SIMPLE TO INSTALL,
EASY TO USE**



**INTEGRATED TANK,
SECURE FILLING**

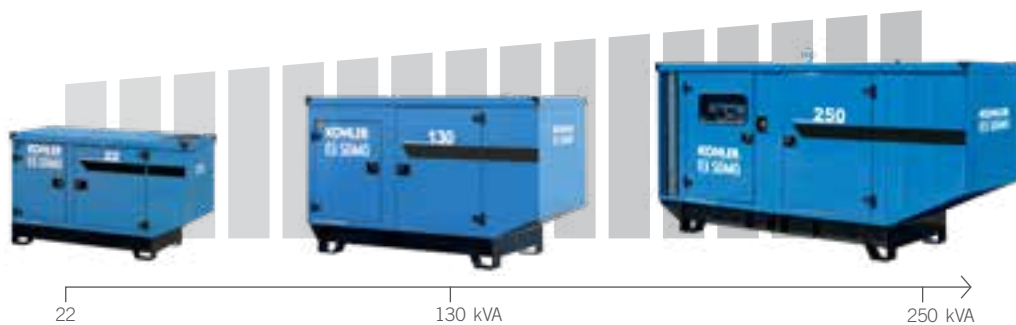


**QUICK AND EASY
CONNECTION**



READY TO USE

Our design offices have joined forces to optimize the performance of the generators, whilst offering you better ergonomics and improved modularity in a more compact package. The new range now extends from 22 to 250 kVA.



HIGH QUALITY MATERIALS

- ▶ New European-quality steel with higher corrosion resistance
- ▶ Optimized anti-corrosion properties (no water ingress or stagnation)



NUMEROUS RESISTANCE TESTS TO ENSURE AN OPTIMUM SERVICE LIFE

- ▶ Enclosures and base frames tested and approved by the French Corrosion Institute
- ▶ Enclosures guaranteed 1500 hours in saline mist (as per standard ISO12944)



SAFETY OF PERSONS AND PROPERTY

- ▶ Ergonomic access for maintenance and easy connection
- ▶ Base frame with retention bund to protect the environment



NEW J130: DISCOVER ONE OF THE BEST POWER TO SIZE RATIOS ON THE MARKET

The engine technology and the ability of our design office to develop innovative solutions that maintain efficiency levels in ever more compact generators.

Thanks to the engine performance and the development of the new industrial range, KOHLER presents a 130 kVA generator in the same enclosure as the 88 and 110 kVA generators.

EQUIPMENT, MODULAR GENERATING SETS; AN ADAPTED RESPONSE

For each of its generating sets, KOHLER offers a large range of options to facilitate maintenance operations, enhance user safety and provide solutions for specific use requirements or unusual environments.

OPTION SPECIFICATIONS BY RANGE



	KD-SERIES RANGE KOHLER engine	X-SERIES RANGE MITSUBISHI engine	KD-SERIES RANGE JOHN DEERE engine	KD-SERIES RANGE VOLVO engine	X-SERIES RANGE DOOSAN engine
Protection of hot parts	0	0	0	0	0
Diesel separator pre-filter	0	0	0 ⁽²⁾	•	0
Battery isolating switch	0	0	0	0	0
Automatic pack	0	0	0	0	0
Electronic control device	0	0	0	•	•
Automatic filling kit	0 ⁽¹⁾	0 ⁽¹⁾	0 ⁽¹⁾	0 ⁽¹⁾	0 ⁽¹⁾
Drainage pump	0	0	0	•	0
Analog measurements display	0	0	0	•	•
Oversized alternator	X	0	0 ⁽²⁾	0 ⁽³⁾	0 ⁽⁴⁾
Air discharge duct	0	0	0	0	0
9 dB(A) silencer in open version	• ⁽⁵⁾	• ⁽⁵⁾	• ⁽⁵⁾	• ⁽⁵⁾	• ⁽⁵⁾
High autonomy, double wall chassis	0	0	0	0	0
Base frame with 48-hour tank	0	X	0	X	X
40 dB(A) silencer	0	0	0	0	0

• Standard
0 Optional
X Not available
* for all generators except for M125 enclosures

(1) Not possible on 48-hour and double wall base frame
(2) Option not available for J20UM, J30UM, J40U, J44, J70U, J80U and J88 generators and on the enclosed version of the J220
(3) Option not available on the enclosed versions of V600U and V715C2 models

(4) Option not available for the D700 and on the enclosed versions of the D500U, D550 and D600U sets
(5) 29 dB(A) and 40 dB(A) silencer available as an option
(6) Standard on the J220

▶ ANALOG DISPLAY OF VALUES

This option enables the oil pressure and the water temperature to be displayed on the APM303 or APM403 screen. In some cases, this is on an additional display.



▶ AIR DISCHARGE DUCT

Metal elbow-shaped box section which enables the air to be discharged from the top of the enclosure towards the front of the generator.



▶ BATTERY ISOLATING SWITCH

Battery isolator rotary handle for easy isolation of the battery during generator storage.



1 PROTECTION OF HOT PARTS

Protective grille for hot parts (exhaust manifold) on the Diesel engine and rotating parts. This option ensures the user's safety during maintenance operations. Mandatory option within the European community (European directive).

2 OVERSIZED ALTERNATOR

For installations with significant electrical or climate constraints, this option allows greater operating flexibility for a better guarantee of performance.

3 DRAINAGE PUMP

Manual oil drainage pump for easier servicing of the generator during maintenance operations. Standard option on enclosed generators.

4 SILENCER ON OPEN VERSION

For "open" version generators, a choice of 3 noise reduction levels is available (9dB(A), 29dB(A), 40dB(A)), to meet the constraints of various installations.

AUTOMATIC PACK

This includes a preheating resistor and a battery charger. It is an engine preheating device which uses an electrical resistor. Preheating is self-adjusting up to 200 kVA and thermostat-controlled for outputs above this. This option is ideal for generators used as back-up. It allows the coolant to be maintained at a temperature of 40°C to facilitate emergency start-up and save time when commissioning the generator.

5 DIESEL SEPARATOR PRE-FILTER

This is a pre-filter enabling water contained in the diesel to be removed, thereby improving the engine's protection.

6 FILTER WITH INTERCHANGEABLE CARTRIDGE

Dry air filters with removable and interchangeable cartridges for dusty environments, which can be removed and cleaned with an air gun, if required. This option is required when the generator is used in dusty environments.

7 AUTOMATIC FILLING KIT

This is an automatic kit for filling the tank from an external storage tank. It includes:
- An electric pump with automatic control governed by a gage with level contacts - A manual back-up pump
Extended use possible without having to top up the diesel. This is particularly well suited for use in isolated areas.

ELECTRONIC CONTROL DEVICE

Electronic speed regulator with control unit enabling precise control of speed, and therefore the frequency, to +/- 1 %. This regulator is factory fitted as standard on some engines. This option allows the quality of the signal to be improved for better operation of sensitive equipment.

1 ▶



2 ▶



3 ▶



4 ▶



5 ▶



6 ▶



7 ▶



CONTROL UNITS

APM303, APM403, APM802: A KOHLER EXCLUSIVE

KOHLER offers a unique range of specific control units:

APM303, APM403 and APM802. These control units offer a wide range of possibilities, from simplified running to the option of managing the most complex coupling operations, and can be adapted to suit every need.

INDUSTRIAL RANGE	APM303	APM403	APM802
KD-SERIES RANGE Kohler engine	•	X	X
X-SERIES RANGE Mitsubishi engine	•	X	X
KD-SERIES RANGE John Deere engine	•	0*	X
KD-SERIES RANGE Volvo engine	X	•	0
X-SERIES RANGE Doosan engine	X	•	0

• Standard X Not available 0 Optional * From 66 kVA for the solo version and 130 kVA for the coupling version

COMPARISON OF THE 3 CONTROL UNITS

SPECIFICATIONS	APM303	APM403	APM802
DISPLAY			
Frequency	•	•	•
Phase to neutral voltages	•	•	•
Phase to phase voltages	•	•	•
Currents	•	•	•
Active/reactive/apparent power	•	•	•
Power factor	•	•	•
Mains power detection	X	•*	•
Battery voltage:	•	•	•
Battery current	X	0	0
Start-up delay	•	•	•
Fuel level	•	•	•
Oil pressure	•	•	•
Coolant temperature	•	•	•
Oil temperature	X	0	0
Total working hours counter	•	•	•
Partial working hours counter	X	•	•
Total active/reactive energy meter	•	•	•
Generator speed	•	•	•
FAULT INFORMATION (fault or alarm)			
Min/max alternator voltage	•	•	•
Min/max alternator frequency	•	•	•
Min/max battery voltage	•	•	•
Overload and/or short circuit	•	•	•
Active/reactive power return	X	•*	•
Oil pressure	•	•	•
Coolant temperature	•	•	•
Speed too high	•	•	•
Speed too low	•	•	•
Low fuel level	•	•	•
Emergency stop fault	•	•	•
Non-starting fault	•	•	•
Charging alternator fault	•	•	•
Differential relay activation fault	0	•	•
General alarm	•	•	•
General fault	•	•	•
Sound alarm	0	0	•
Fully compatible with SAE J1939	X	•	•

SPECIFICATIONS	APM303	APM403	APM802
OPERATION			
Power ON	0	•	X
Manual generator starting	•	•	•
Automatic generator starting	•	•	•
Generator shutdown	•	•	•
Emergency stop	•	•	•
Menu navigation using color touch screen	X	X	•
Navigation in menu using button	•	•	X
Speed adjustment	0	0** / •*	•
Voltage adjustment	0	0** / •*	•
Controller redundancy	X	X	0
Dual frequency	X	•	0
Delayed start programming	X	•	0
Multilingual using pictograms	•	X	X
Multilingual text	X	•	•
CONNECTIVITY			
MODBUS TCP/IP	X	0	•
RS485 (MODBUS RTU protocol)	•	•	•
SNMP protocol	X	0	X
Local WEB access	X	0	X
Remote WEB access	X	0	X
USB port (config and software downloading)	•	•	•
Remote control HMI	X	X	0
COUPLING			
Stopped	X	X	•
Under load	X	•*	•
Continuity of the power plant in the event of a failure in communication between control units	X	•*	•
Power management of the plant "Start up and shutdown of one or several generators based on the power requested by the installation"	X	•*	•
Temporary coupling of grid Out/Return	X	•*	•
Power plant coupling to grid (temporary, permanent, etc.)	X	X	•
GENERAL			
Downloading of a customized configuration via USB port	•	•	•
Download of the firmware configuration + existing settings via USB port	•	•	•

• Standard X Not available 0 Optional * APM403P (coupling version) ** APM403S (solo version)

CONTROL UNITS

APM303, THE ESSENTIALS MADE SIMPLE

The APM303 is a versatile unit equipped with a particularly intuitive LCD screen. It offers high-quality basic functions, allowing easy and reliable operation of your generator. This unit is mounted on a console on all generators designed for LV industrial applications with and without a source transfer switch.

BENEFITS

▶ RS485 SUPERVISION

MODBUS RTU supervision is available as standard via an RS485 link. This link can be configured for the customer's installation.



FUNCTIONS

Manual and automatic mode (with auto start input)
Generator protection and management
Electrical measurements, including output (option)
Mechanical value measurements (option)
Automatic voltage and frequency detection
Secure configuration on the APM303 or on PC

CONNECTIVITY

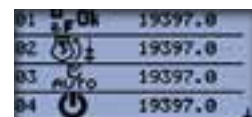
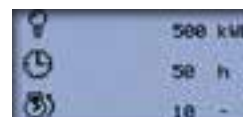
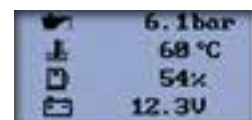
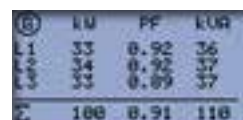
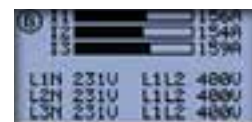
2 configurable reports
MODBUS RTU RS485
USB port

OPERATION CONDITIONS

Front of IP54 controller
Protection against humidity and dust with tropicalized varnish

MEASUREMENTS

LCD display examples



CONTROL UNITS

APM403, INTUITIVE, SIMPLE AND CONNECTED

DESCRIPTION OF THE APM403*



ADVANTAGES OF THE APM403

FLEXIBLE CONFIGURATION

- ▶ Technical solution can be broken down for multi-configuration – SOLO or COUPLING applications (up to 8 generators)
- ▶ Specific application variables can be customized.

FLEXIBLE COMMUNICATION TOOLS

- ▶ Remote configuration and supervision thanks to the WEBSUPERVISOR application (optional)
- ▶ Standard communication tools:
 - CAN USB Host, USB device, RS485
 - MODBUS, RTU
- ▶ Optional:
 - 4G, Ethernet, GPRS, Airgate
 - TCP/IP, SNMP protocol

FOCUS

▶ APM403S



The APM403S is dedicated to SOLO operation only. No grid electrical measurements or associated circuit breaker control.

INTUITIVE NAVIGATION AND SIMPLIFIED GENERATOR OR POWER PLANT OPERATION

- ▶ Multilingual support
- ▶ Simple, intuitive configuration specific to operating scenarios

CONTROL UNITS

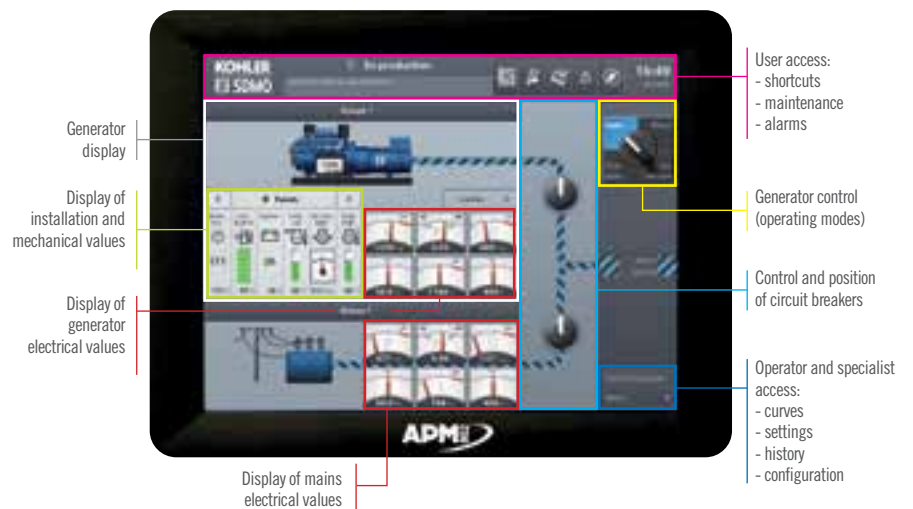
APM802, DEDICATED TO POWER PLANT MANAGEMENT

BENEFITS

▶ INTUITIVE AND ERGONOMIC TO USE

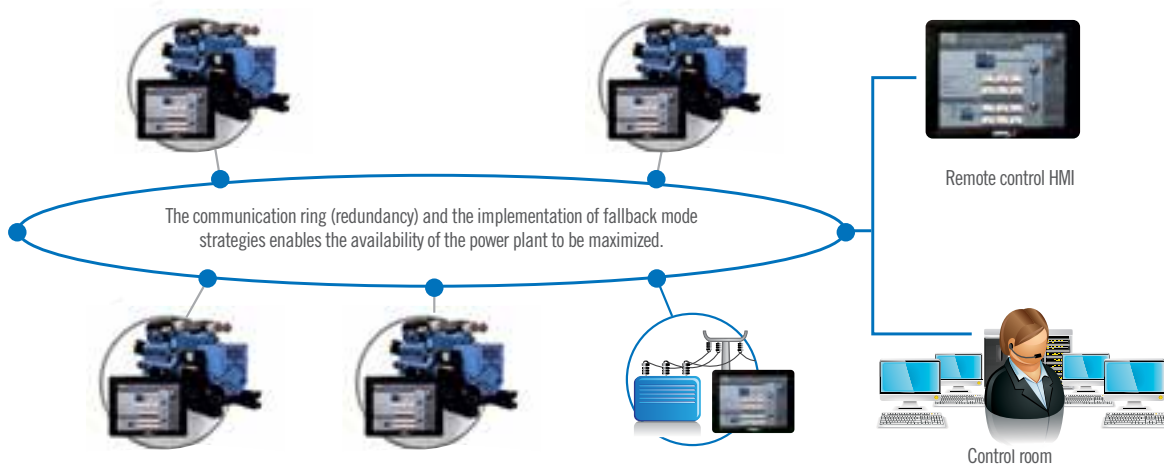
The ergonomics of the APM802 has been carefully designed in conjunction with users to ensure optimum user comfort. The operator is guided through how to operate the product according to their access level, making it easy to get started and reducing the risk of errors.

Fully developed by KOHLER, the new APM802 command/control system is specifically designed for operating and monitoring power plants for hospitals, data centers, banks, the oil and gas sector, industries, IPP, rental, mining, etc. The human machine interface, created in collaboration with a company specializing in interface design, has a large 100% touch screen to facilitate operations. The pre-configured system for power plant applications features a brand new customization function that complies with the international standard IEC 61131-3.



THE APM802 FOR ENHANCED COMMUNICATIONS

Communication via the APM802 guarantees a high level of equipment availability and facilitates the remote control of the HMI to enhance its use. Additionally, various connections can be made via the Ethernet, using fiber optics or combined with copper wire. For full control of risk management, the system communications are separate from the external communications.



The ring is created by several Ethernet segments and groups together regulation and PLC communications.

The APM802 can be integrated into a central console, into a built-in control unit, directly on the generator, or in a separate cabinet, to adapt to all installation constraints. An assurance of innovation, the APM802 is protected by copyrights and two patents.

POWER MODULES

CENTRAL CONSOLES, AIPR, VERSO

CENTRAL CONSOLES



Up to 630 A, the power modules are integrated into the central consoles. The extra-flexible cables between the central console and the alternator are fitted in a corrugated insulating sleeve. For motorized versions, the circuit breaker will be directly integrated into the AIPR.

► POWER MODULE SPECIFICATIONS

POWER OUTPUT	2 POLES	3 POLES	4 POLES
Modular circuit breaker from 10 A to 125 A	• ⁽²⁾	0 ⁽¹⁾	•
Fixed unit circuit breaker 160 A to 630 A	X	•	0

(1) As standard for some neutral connections
 (2) Only for single phase generators
 • Standard X Not available 0 Optional

AIPR



Above 630 A, power modules called AIPRs are separate from the control/command section. These control boxes are fitted on the generator base frame and connected to the alternator.

AIPR	
With manual control on the front panel	
3-pole open circuit breaker	•
4-pole open circuit breaker	0
Motorized control option*	
With 3-pole circuit breaker, open type	0
With 4-pole circuit breaker, open type	0
Other specifications	
Power connection bus bars	•
Protection rating	IP23

* The motorized control comprises: a closing electromagnet, a transmitting coil and an AC motor
 • Standard 0 Optional

VERSO

In industrial applications, the transfer of the main source to the replacement source is crucial to the running of your installations. The Verso is the perfect solution for this requirement: **from 35 to 160 A, the Verso 100 and 150D, and from 200 A to 3200 A, the Verso 200.**

VERSO 100	VERSO S Single phase				VERSO S Three phase				VERSO D					
Ratings (A)	63	100	125	160	35	63	100	125	160	35	63	100	125	160
Type	Single phase				Three phase				Three phase					
Nominal voltage/frequency	230 V / 50-60 Hz				127 / 230 V / 50-60 Hz _ 230 / 400 V / 50-60 Hz				127 / 230 V / 50-60 Hz _ 230 / 400 V / 50-60 Hz					
Display and setting	Potentiometer				Potentiometer				Via LCD display					
Voltage drop tolerated	20 % of the nominal voltage @230 V				20 % of the nominal voltage @400 V				30 % of the nominal voltage @400 V					
Voltage range supported					176 - 288 V				160 - 305 V					
Protects against a change in the phase rotation direction	X				•				•					
Protection in "0" position	X				X				Rapid automatic protection available for D versions					
Lightning arrester	X				X				0					
Confirmation of mains return	•				•				•					
FOR FRANCE ONLY	•				•				•					
Protection rating	IP54				IP31				IP54					
Dimensions (h x l x d) in mm	410 X 305 x 150				385 x 385 x 193				600 x 400 x 200					

VERSO 150D	63	100	160
Ratings (A)			
Type	Three phase		
Nominal voltage/frequency	230/400 V 50 Hz		
Display and setting	Potentiometer		
Voltage drop tolerated	30 % of the nominal voltage, 400 V		
Voltage range supported	320/480 Vac between phases	-	
Protects against a change in the phase rotation direction	•		
Protection in "0" position	•		
Lightning arrester	0		
EJP pack (for France only)	X		
Confirmation of mains return	X		
Protection rating	IP65		
Dimensions (h x l x d) in mm	500 x 400 x 200	500 x 500 x 250	

VERSO 200	200, 250, 400, 630	800, 1000, 1250, 1600*	2000, 2500, 3200
Ratings (A)			
Type	Three phase		
Nominal voltage/frequency	127 / 230 V / 50-60 HZ _ 230 / 400 V / 50-60 HZ		
Configuration	Auto-configuration of voltage/frequency min/max and configurable thresholds		
Display and setting	By LCD – Supplied with manually operated key – Can be padlocked in manual mode		
Voltage drop tolerated	30 % of the nominal voltage @400 V		
Protects against a change in the phase rotation direction	0		
Lightning arrester	0		
EJP pack (for France only)	•		
Confirmation of mains return	0		
Protection rating	IP20 (55 on request)	IP55	IP55
Inputs/outputs	3 configurable dry contact inputs/2 configurable relay outputs		
Dimensions (h x l x d) in mm	840 x 640 x 450 mm IP55: 1750 x 700 x 500 mm	2150 x 900 x 700 mm *1600 A: 2150 x 1100 x 700 mm	2150 x 1100 x 900 mm

• Standard X Not available 0 Optional

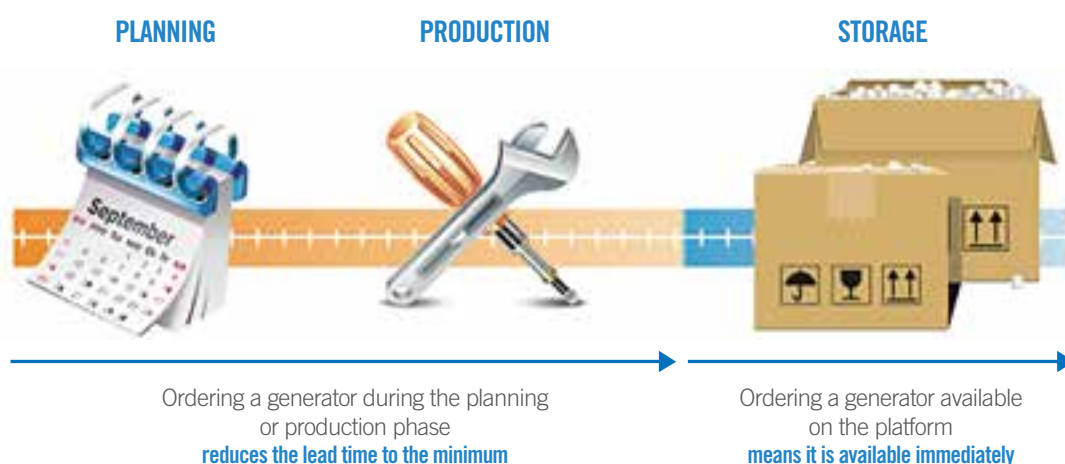
X-PRESS RANGE

STANDARD GENERATORS HELD IN STOCK

Thirty 50 Hz models from 9 to 830 kVA and twenty-six 60 Hz models from 9 to 750 kW in the industrial range are held in stock around the world and can be delivered to you within very short lead times. These generators are available in open or enclosed versions. Aftermarket options are available to order (silencers, differential protection, normal/emergency switches, Service First, etc.).

► ORDER DIRECTLY BY MAIL

You can place your order directly by mail using the form attached to the stock list sent each week. Cut out the middle man: your order is registered and shipped in the quickest possible time.



50 HZ CONFIGURATION AVAILABLE

	9 TO 220 KVA		300 TO 830 KVA	
	OPEN	ENCLOSED	OPEN	ENCLOSED
4-pole circuit breaker	•	•	•	•
Control unit	APM303	APM303	APM403	APM403
Card for measurement	•	•	•	•
Auto pack	•*	•*	•	•
Prewiring for auto start-up	•	•	•	•
CE label	•	•	•	•
Silencer	•	•	X	•

* For PREMIUM generators from 22 to 44 kVA with KOHLER engines and PREMIUM generators from 33 to 66 kVA with John Deere engines, the preheating wiring harness is supplied separately.

• Included

X Not available

60 HZ CONFIGURATION AVAILABLE

	9 TO 60 KW SINGLE PHASE		11 TO 250 KW THREE PHASE		250 TO 750 KW THREE PHASE	
	OPEN	ENCLOSED	OPEN	ENCLOSED	OPEN	ENCLOSED
Circuit breaker	2 poles	2 poles	3 poles	3 poles	3 poles	3 poles
Control unit	APM303	APM303	APM303	APM303	APM403	APM403
Card for measurement	•	•	•	•	•	•
Prewiring for auto start-up	•	•	•	•	•	•
Silencer	•	•	•	•	•	•
Analog pack	• ⁽¹⁾	• ⁽¹⁾	• ⁽¹⁾	• ⁽¹⁾	•	•

• Included X Not available (1) Except VALUE range with Mitsubishi engines

KOHLER[®]
IN POWER. SINCE 1920.



KOHLER-SDMO.COM

© 2020 KOHLER CO.